



RAV4

Rear bumper protection plate

Installation instructions

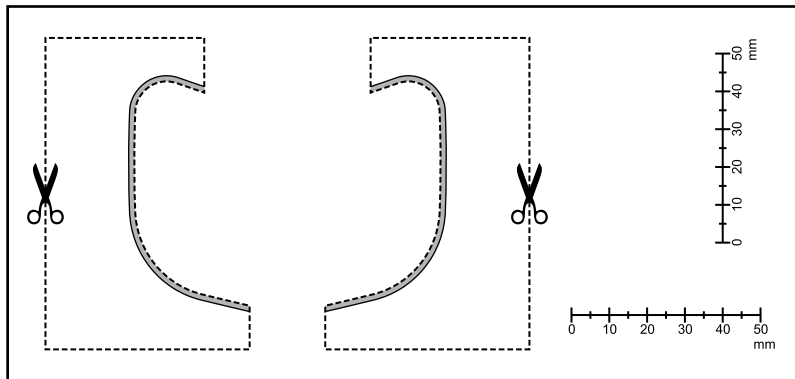
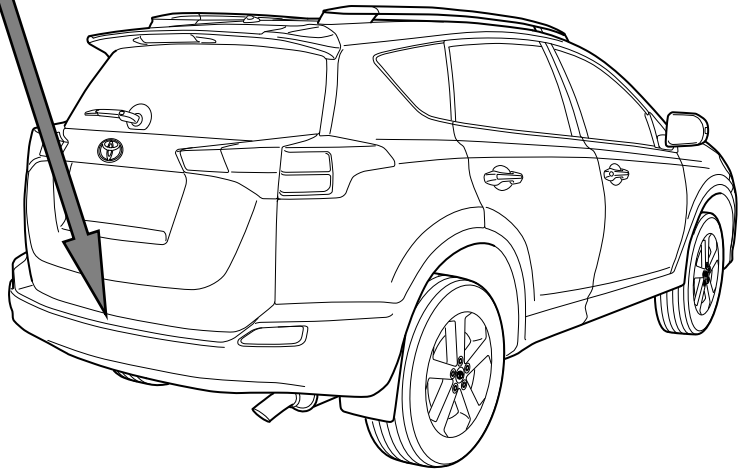
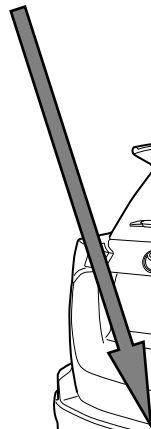
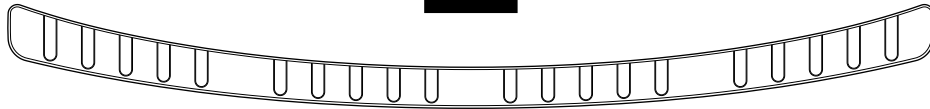
Model year: 2012/12
Vehicle code: **A4**-AN***W
Part number: PZ467-X0540-ZA

Manual reference number: AIM 002 742-3

Revision Records

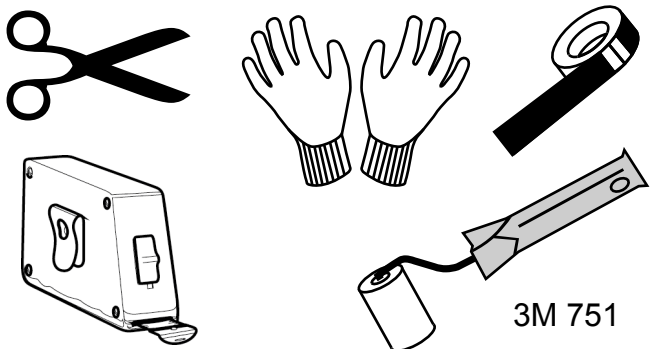
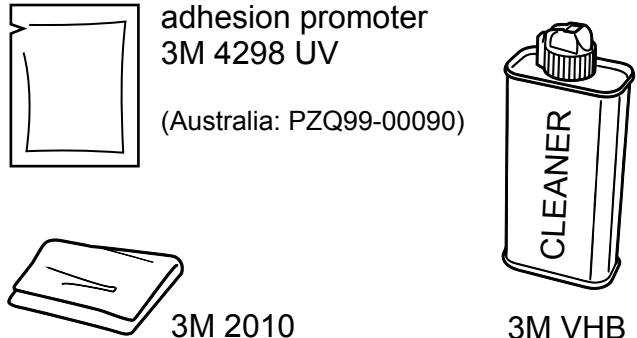
| Rev. No. | Date | Page | Picture | Update | New | Deleted Steps |
|----------|-------------|------|---------|---------------------|--|---------------|
| 01 | 29 Jan 2013 | 05 | 10 | 3M 4298 UV position | Time informations | |
| 01 | 29 Jan 2013 | 06 | 16 | All images | | |
| 01 | 29 Jan 2013 | 06 | 17 | All images | | |
| 01 | 29 Jan 2013 | 07 | 18 | Image | | |
| 01 | 29 Jan 2013 | 07 | 19 | Image | | |
| 02 | 12 Feb 2013 | 03 | | | Australian adhesion promoter PZQ99-00090 | |
| 02 | 12 Feb 2013 | 05 | 10 | | Australian adhesion promoter PZQ99-00090 | |
| 03 | 19 Feb 2013 | 08 | | | Check sheet | |
| | | | | | | |

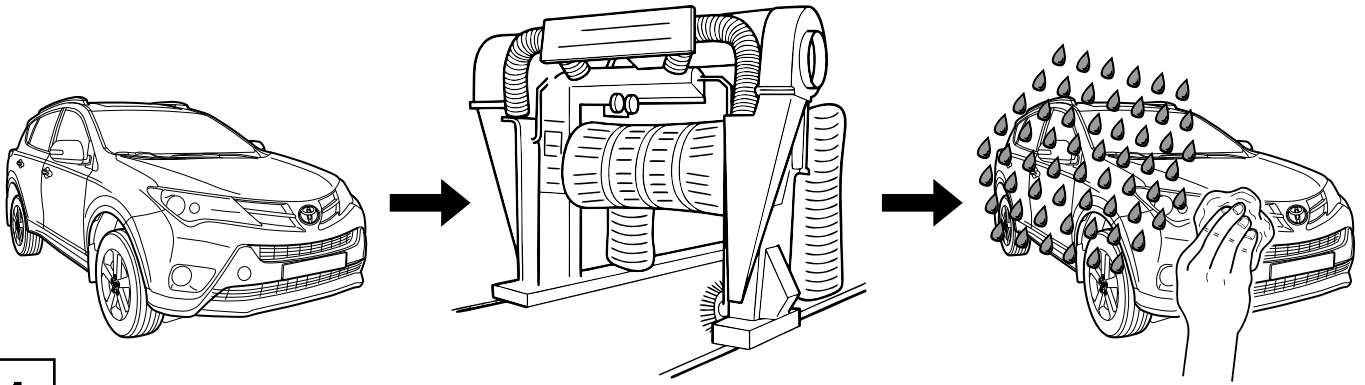
A



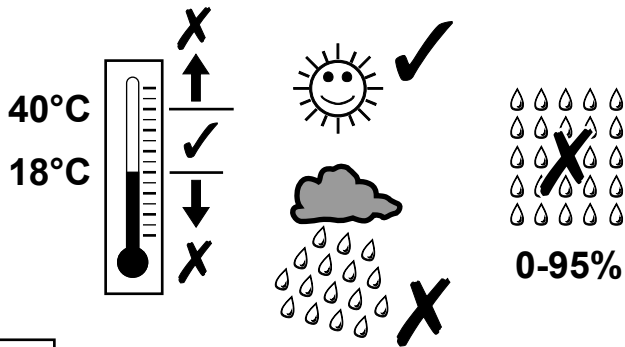
B

PZ467-X0540-ZA

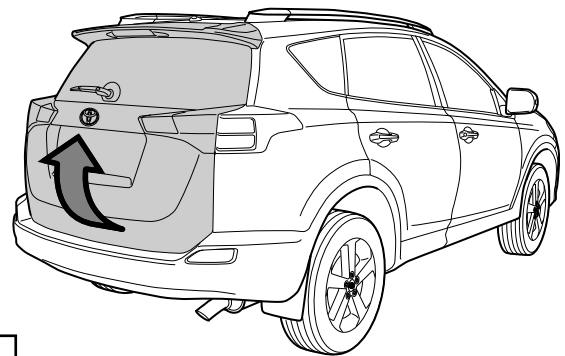
| | |
|---|--|
|  <p>3M 751</p> |  <p>adhesion promoter 3M 4298 UV (Australia: PZQ99-00090)</p> <p>3M 2010</p> <p>CLEANER 3M VHB</p> |
|---|--|



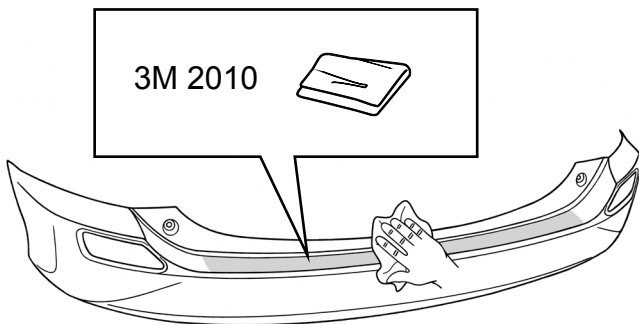
1



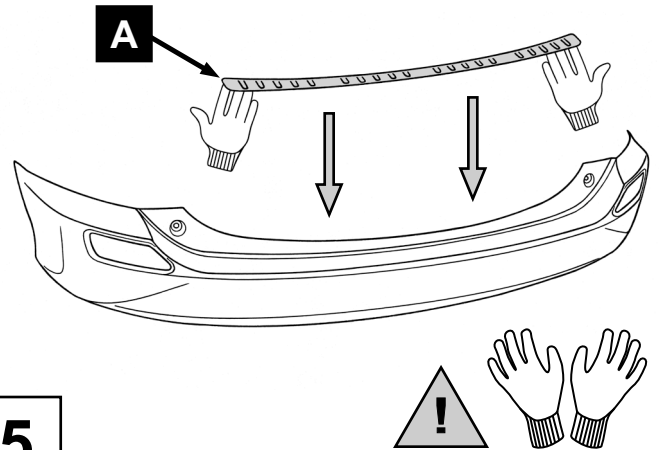
2



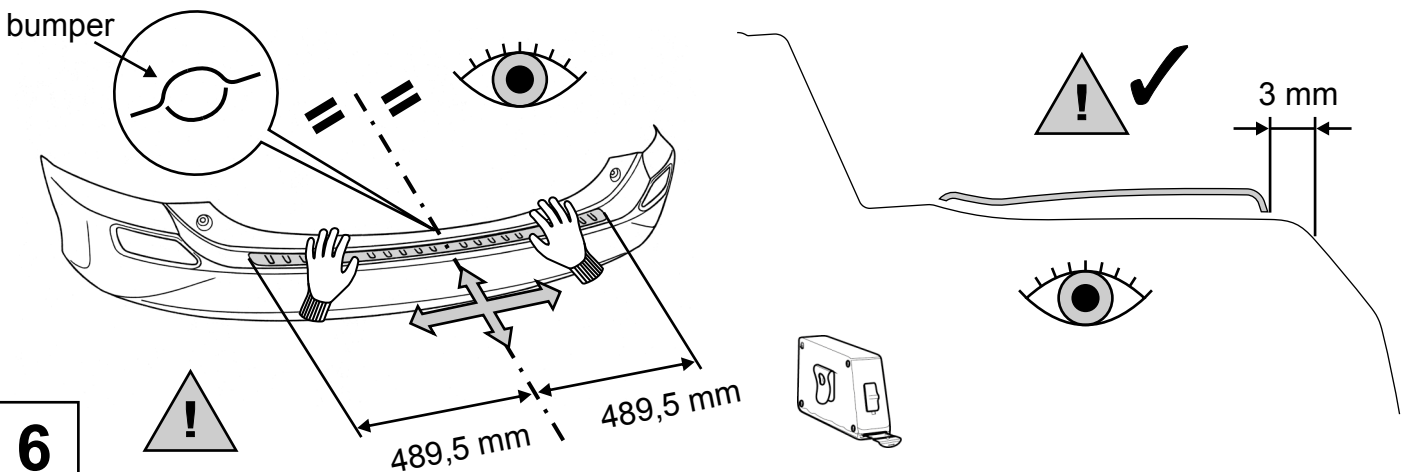
3



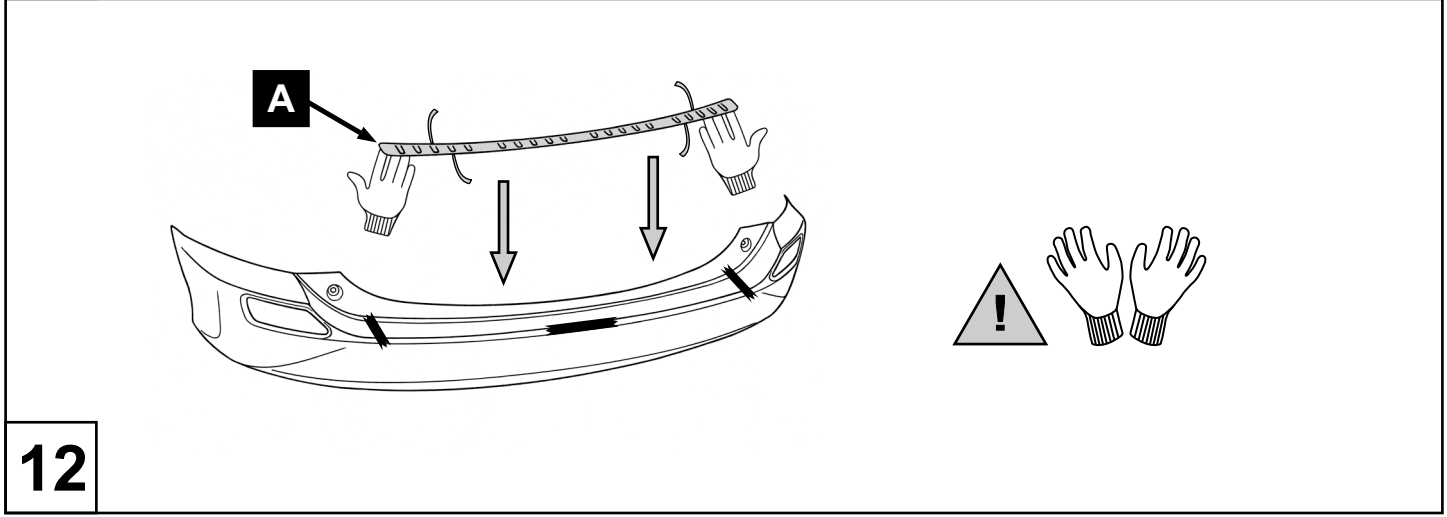
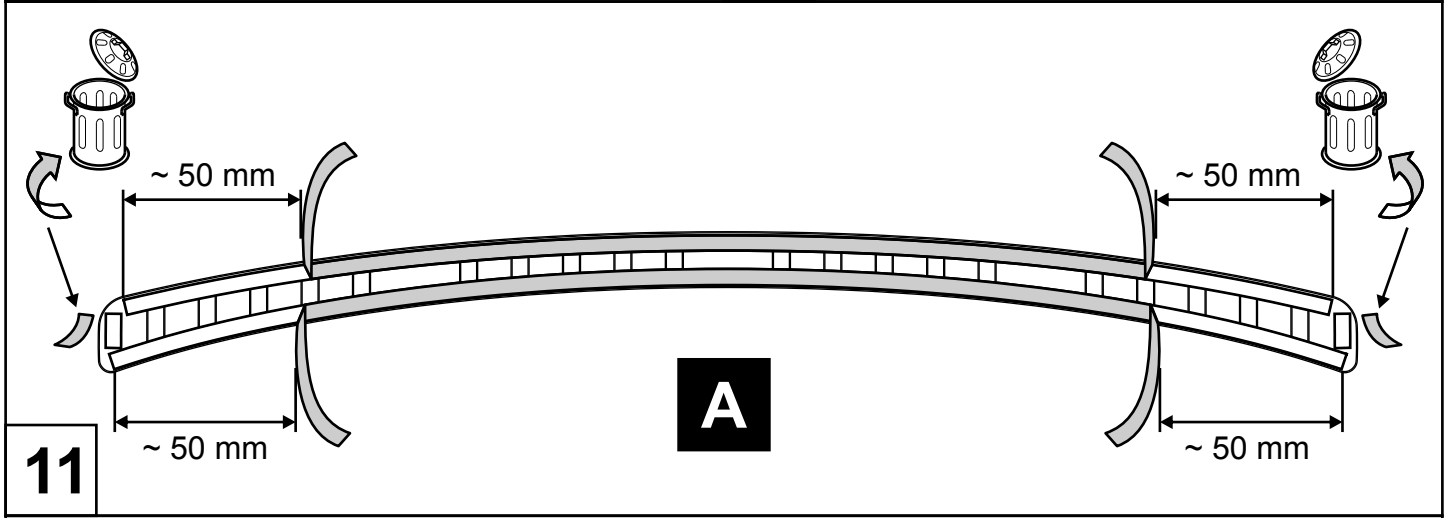
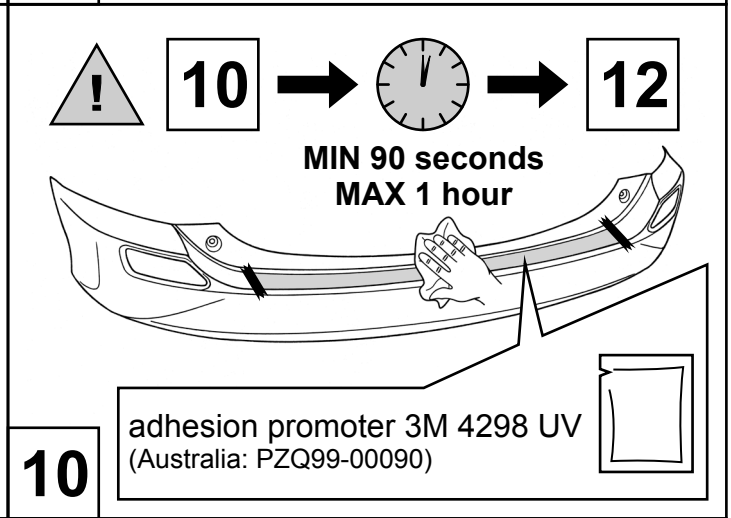
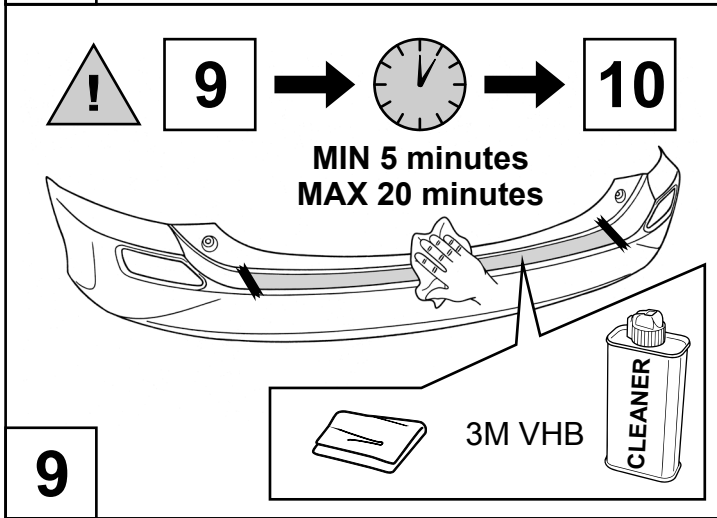
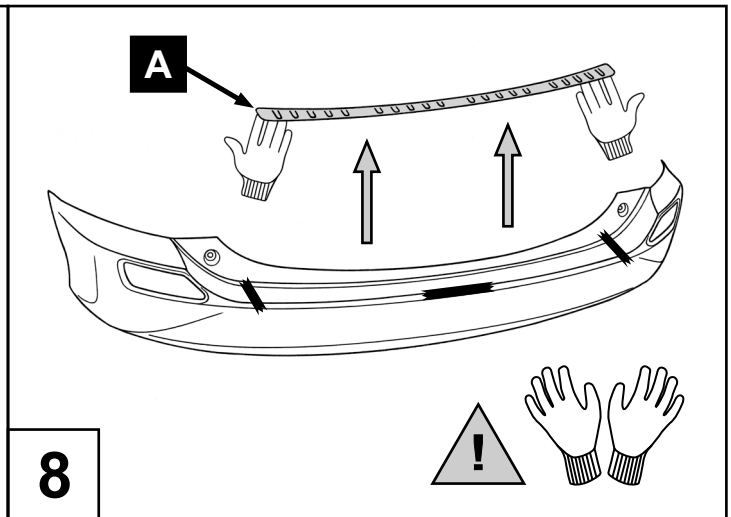
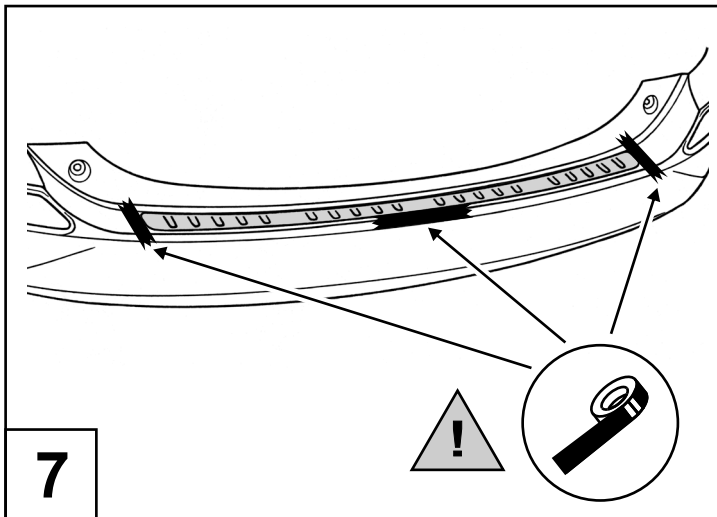
4

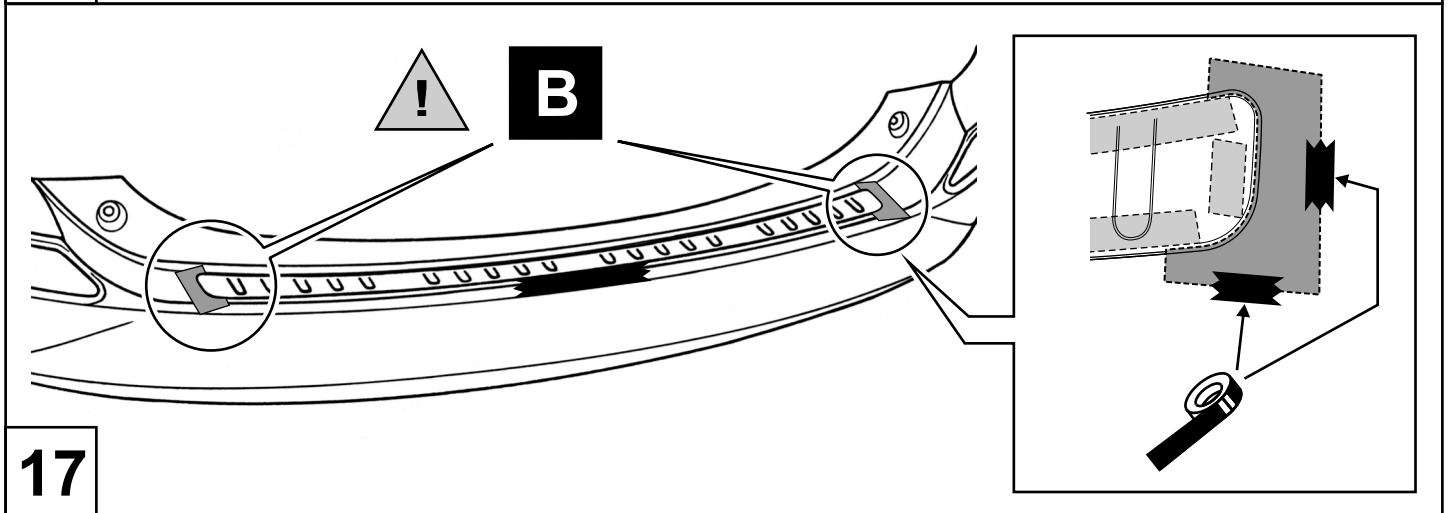
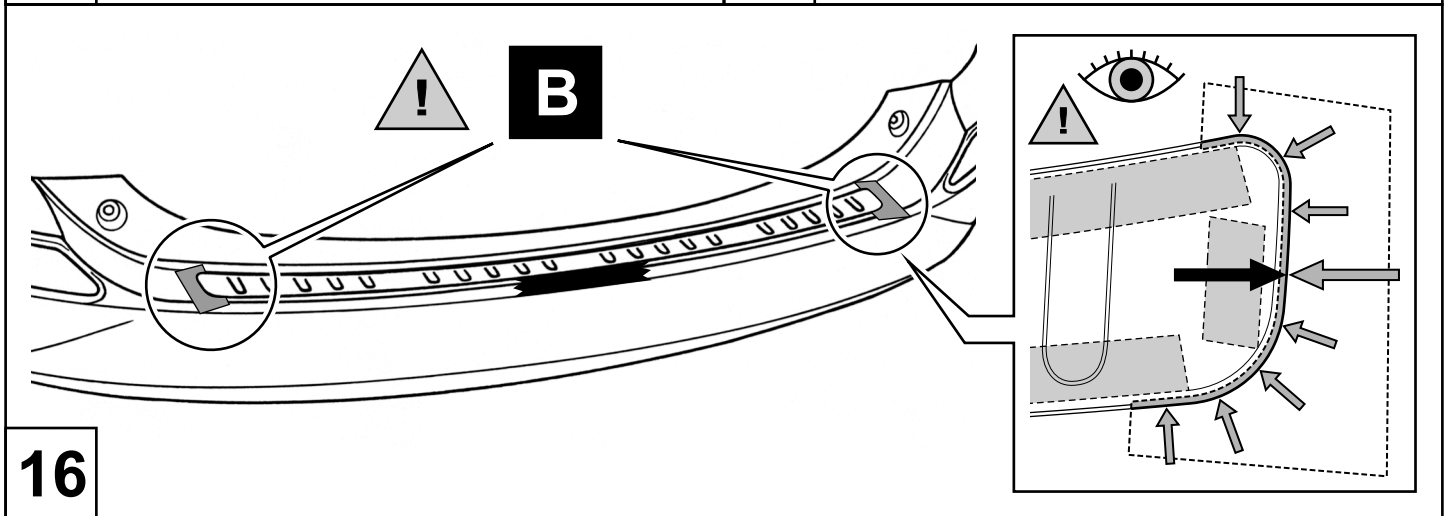
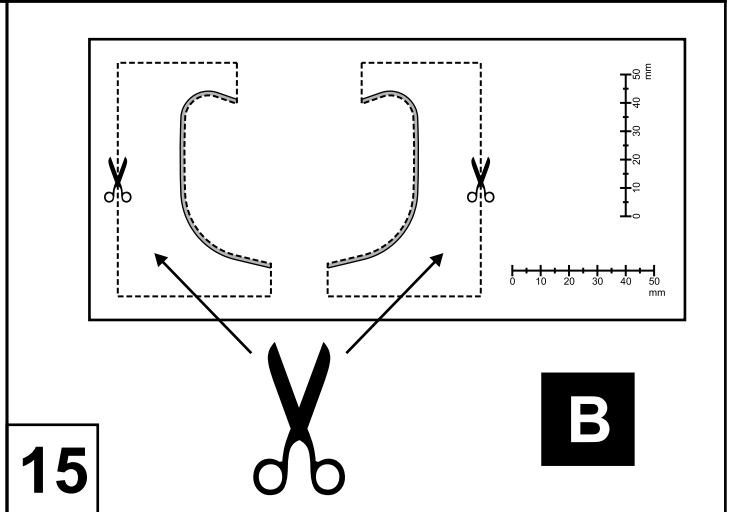
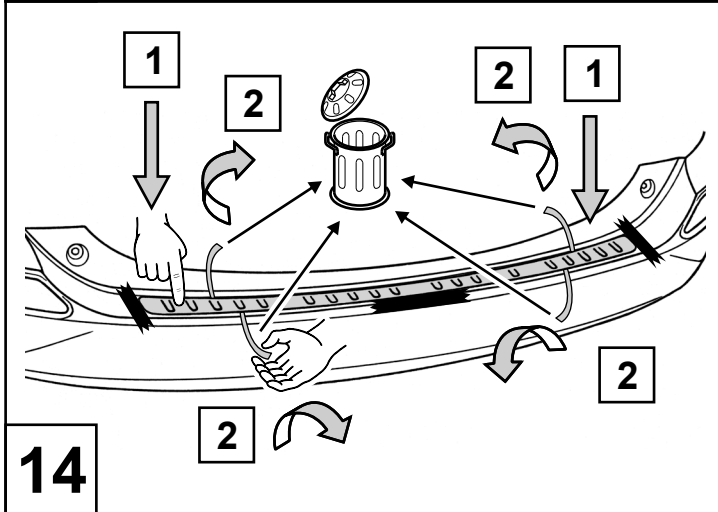
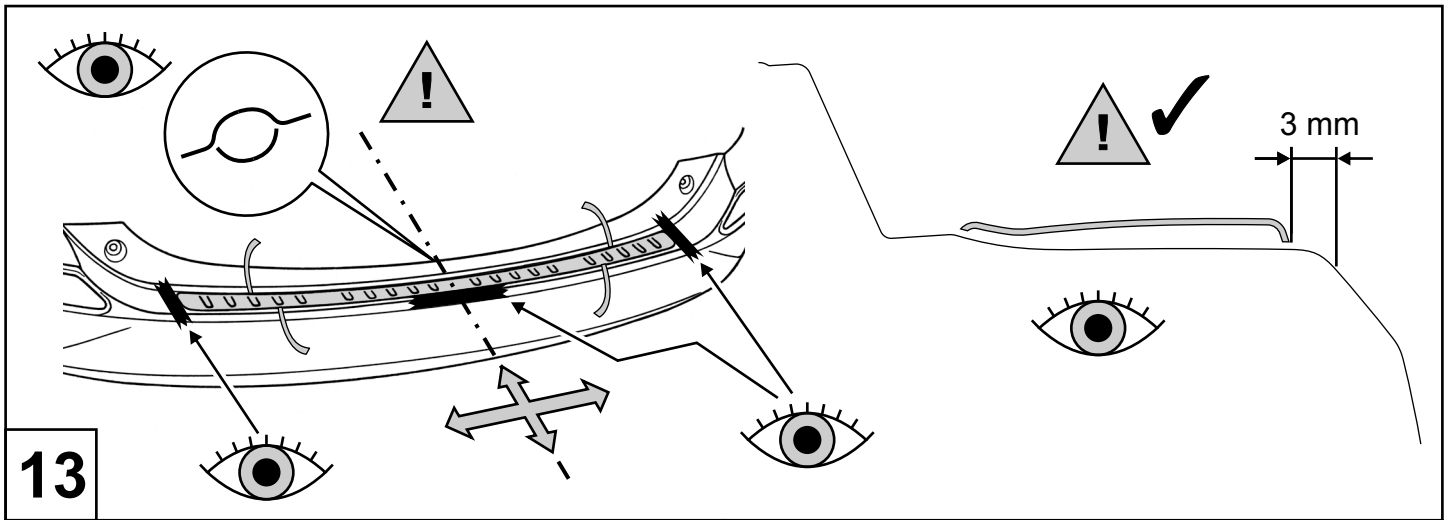


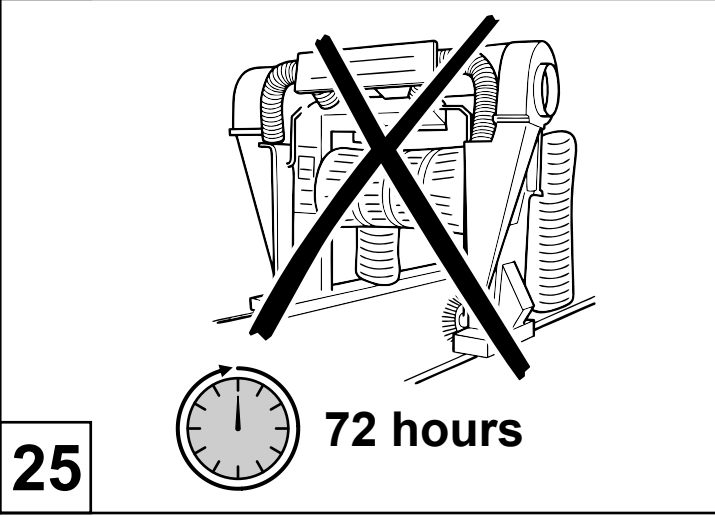
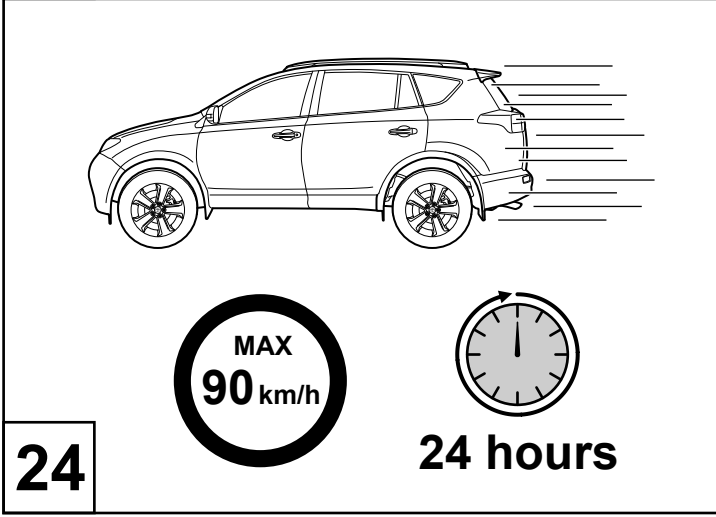
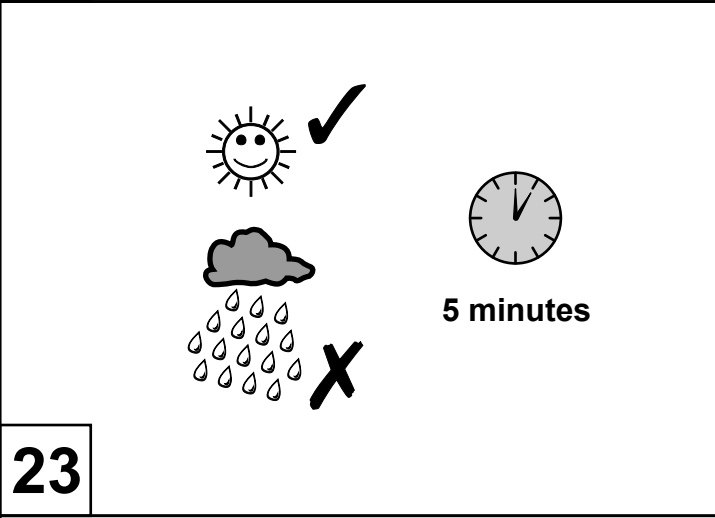
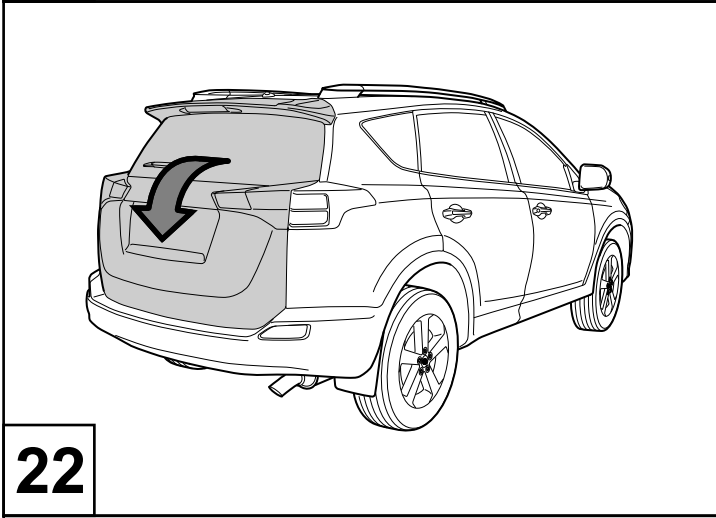
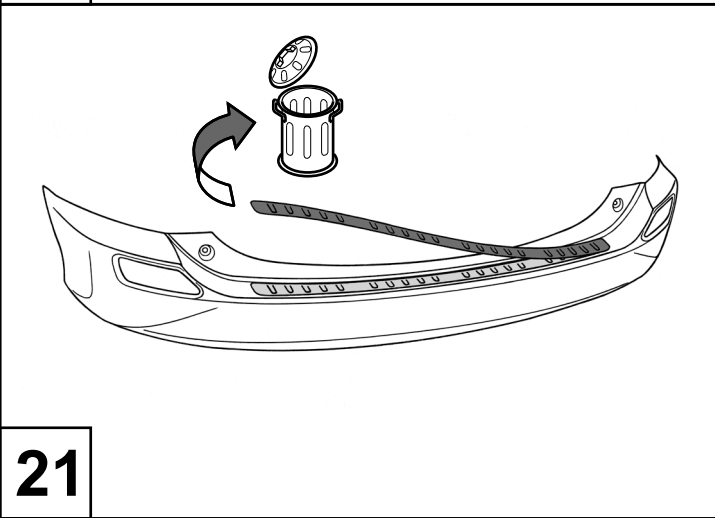
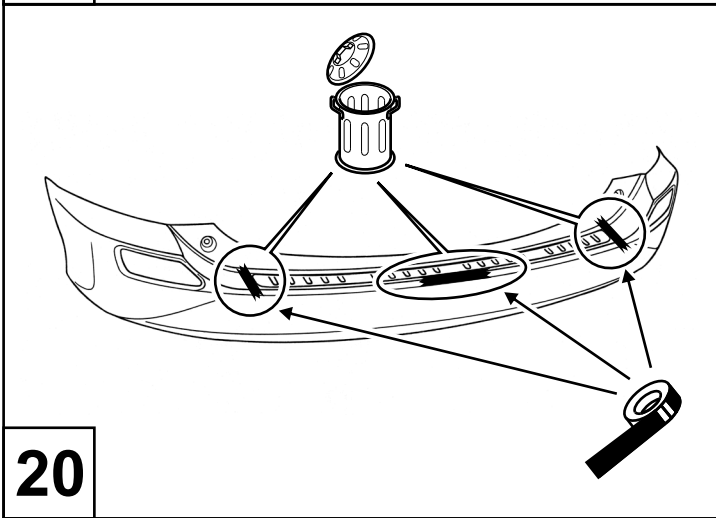
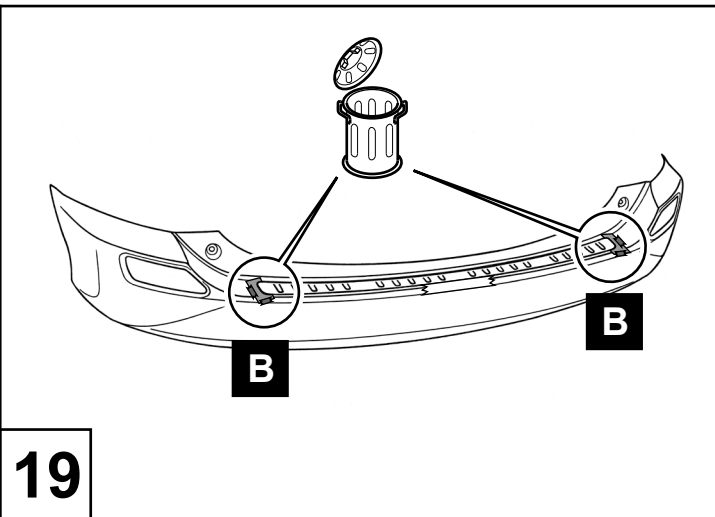
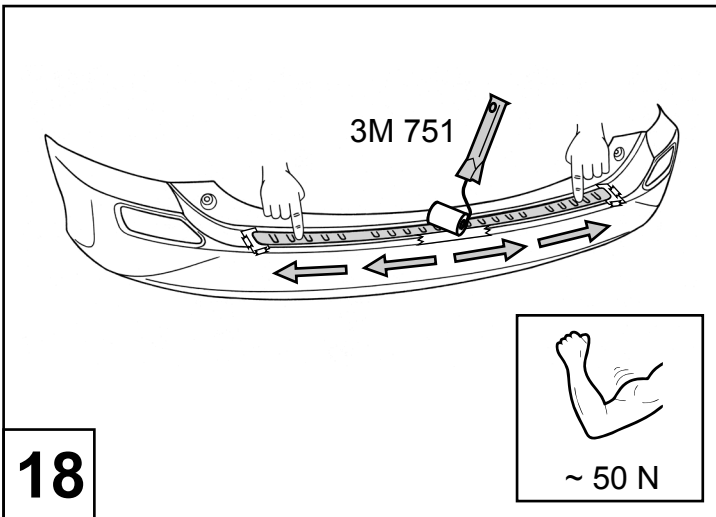
5



6







CHECK SHEET

Model / Year

RAV4 2012/12

Rear Bumper
Protection Plate

VIN n_i

P/N = OK

40°C
18°C

CLEANER

adhesion promoter
3M 4298 UV

= OK

Installation Date:

... / ... / ...

Technician Name & Signature:

Stamp: