



TOYOTA

ALWAYS A
BETTER WAY

Auris

Wind deflectors

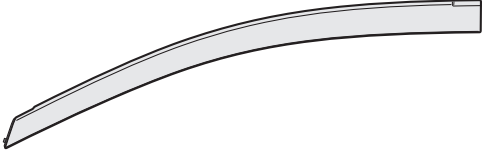
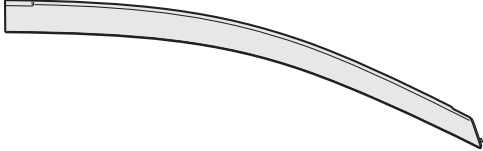




Installation Instruction

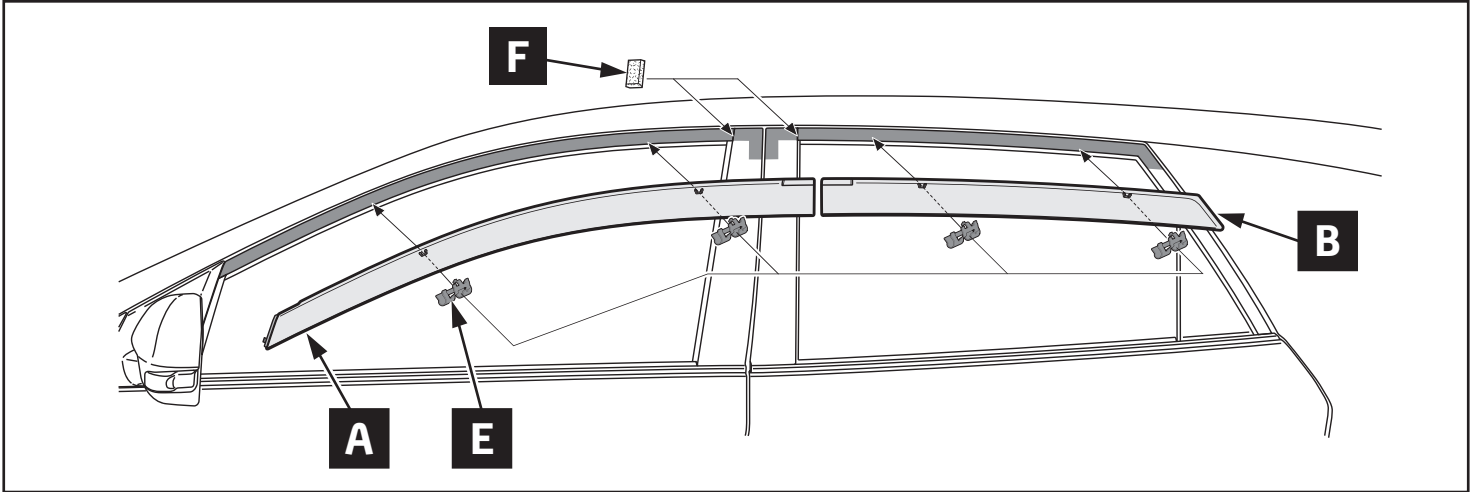
Model year: 2012/10
Vehicle code: **E18**-D****W
Part number: 08611-12840


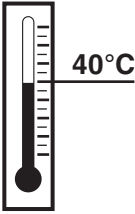
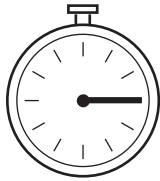

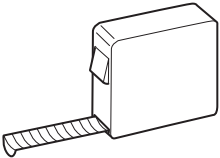


Manual reference number: AIM 002 653 - 0

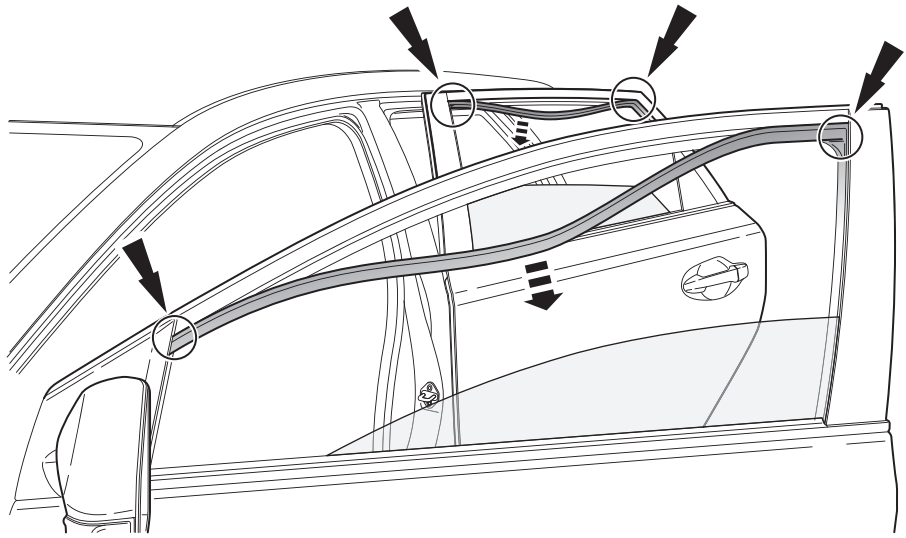
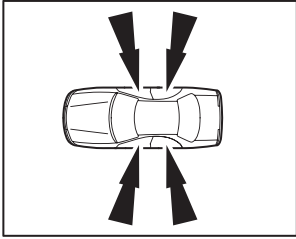
Revision Record

Rev. No.	Date	Page	Picture	Update	New	Deleted steps

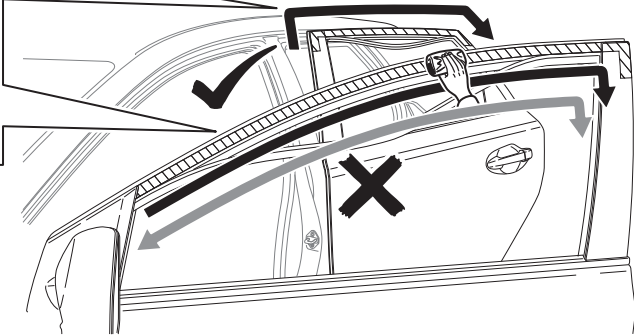
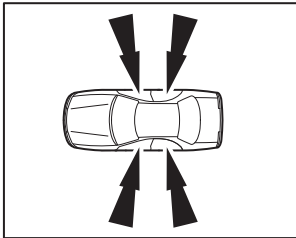
 A	 B
1x	1x
 C	 D
1x	1x
 E	 F
8x	4x



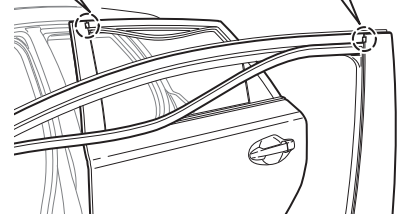
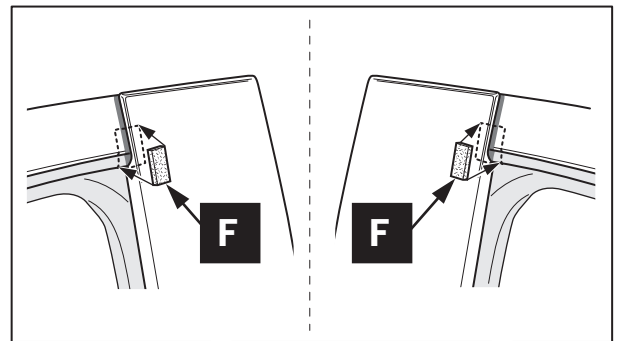
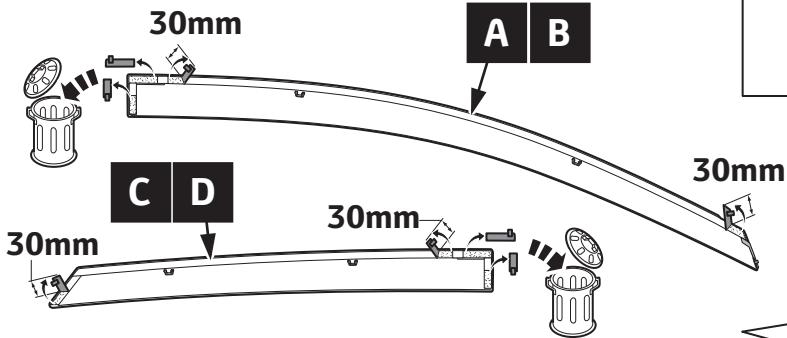
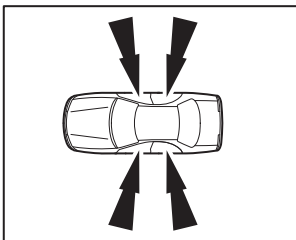
			
			



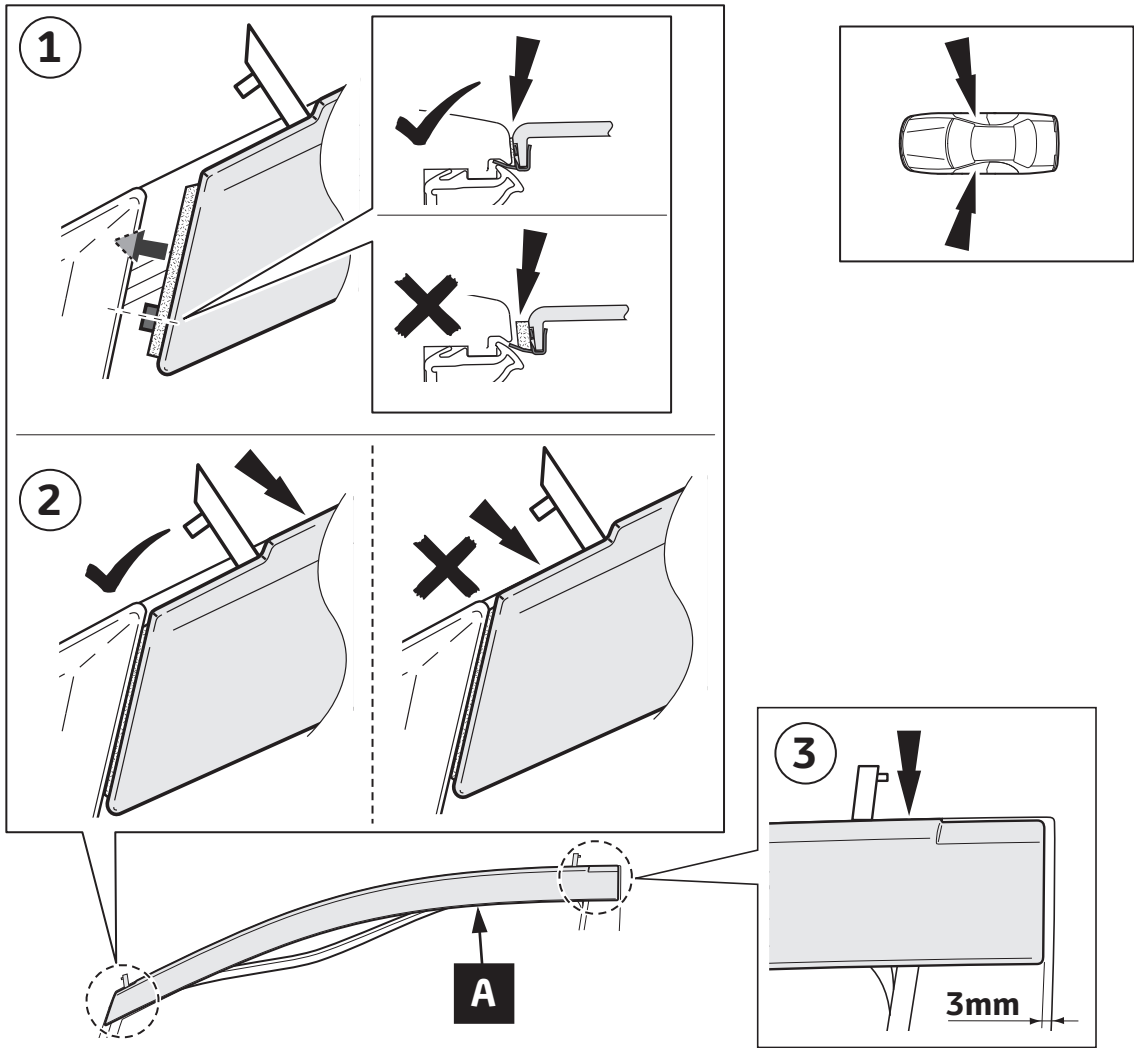
1



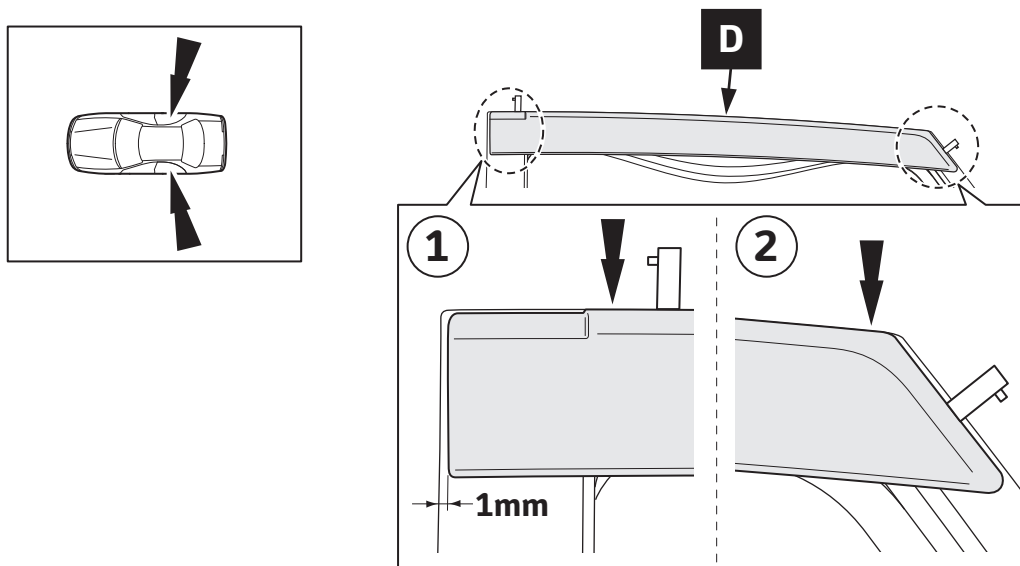
2



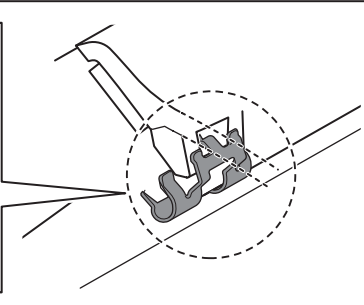
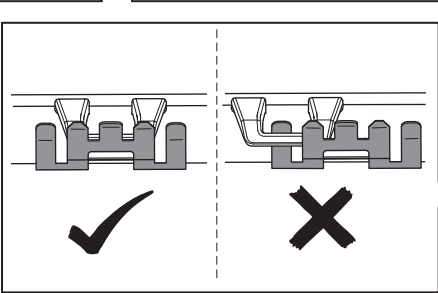
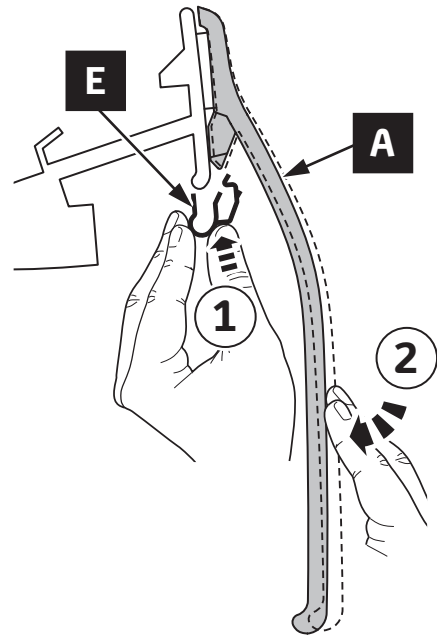
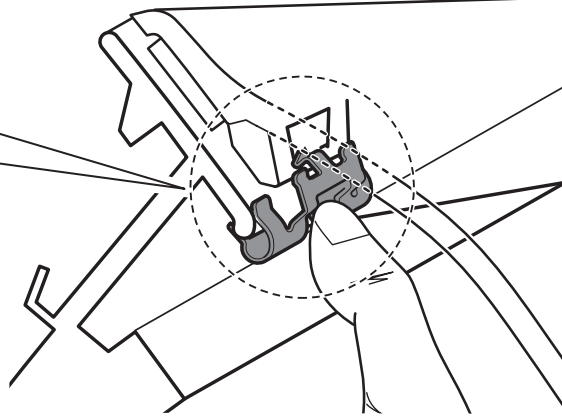
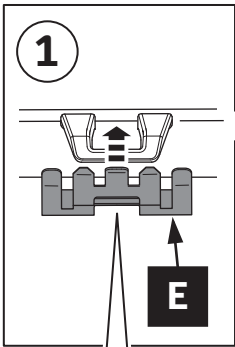
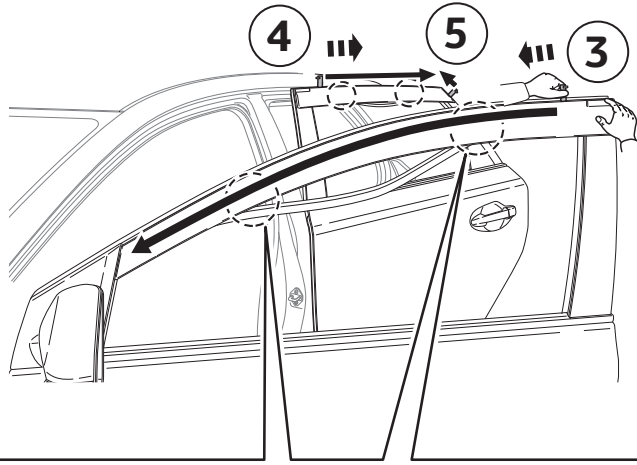
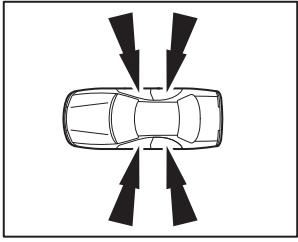
3



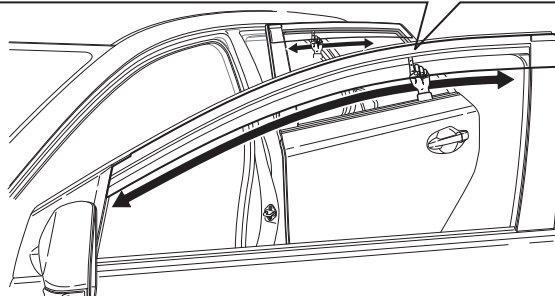
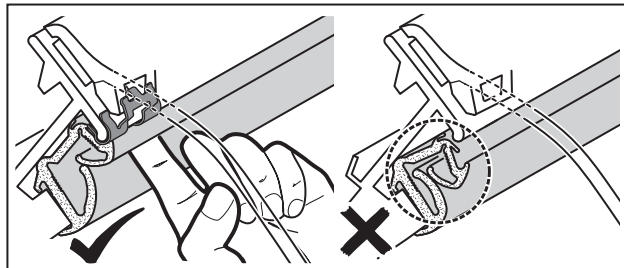
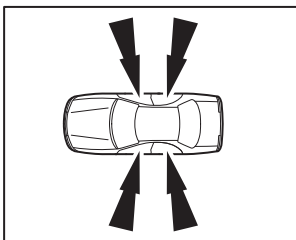
4



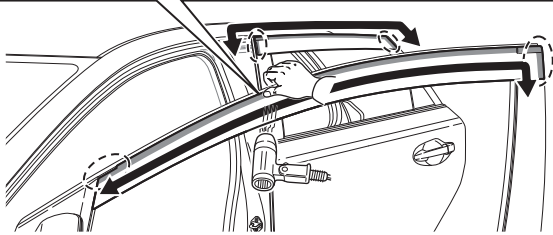
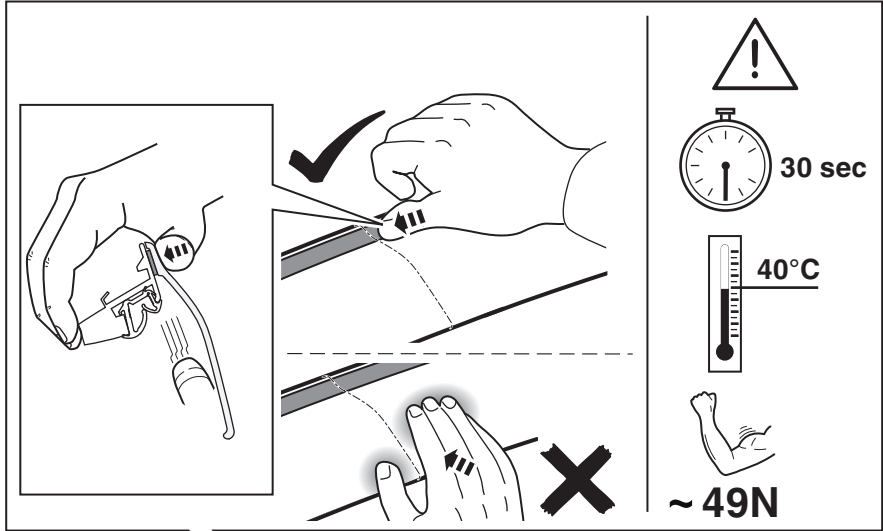
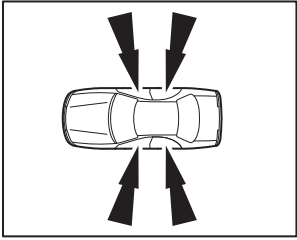
5



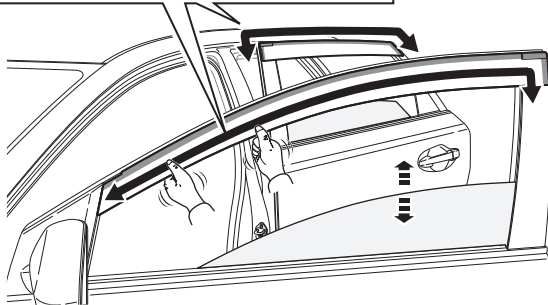
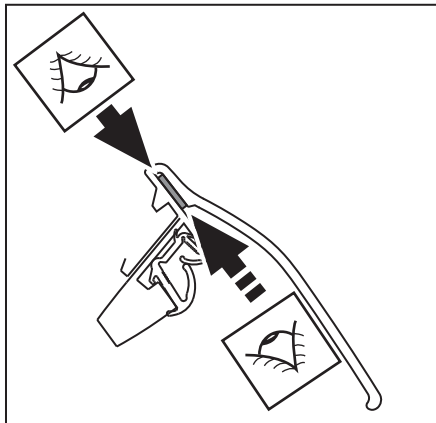
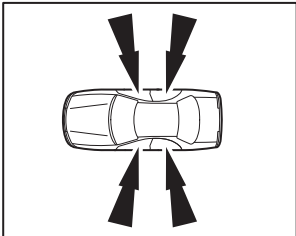
6



7



8



9

CHECK SHEET



TOYOTA

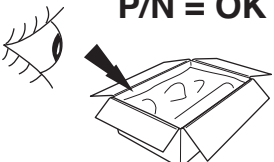
Model / Year **Auris 2012/10**

Wind Deflectors
Front & Rear Set

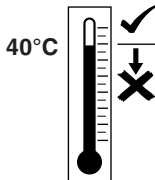
VIN n°

ALWAYS A
BETTER WAY

P/N = OK



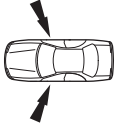
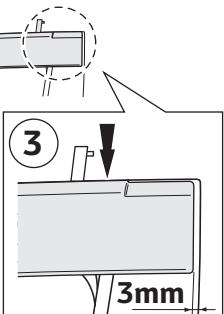
40°C



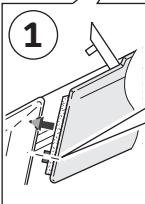


CLEANER

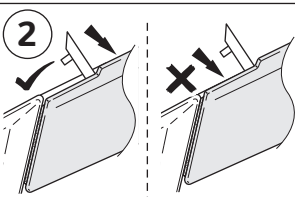


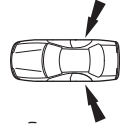



1

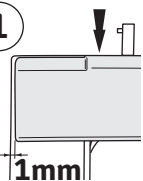


2



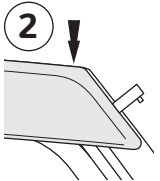


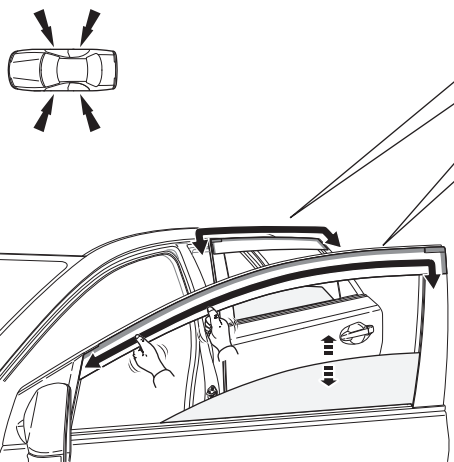
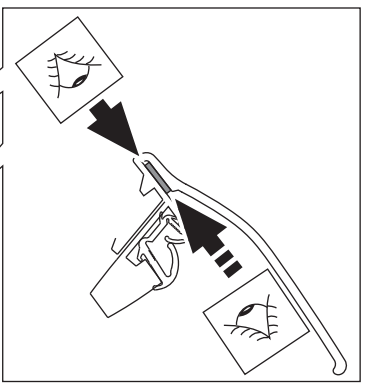
1

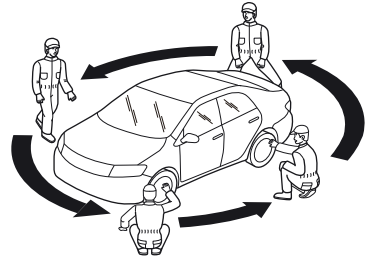



1mm

2





 = OK

Installation Date:

... / ... / ...

Technician Name & Signature:

Stamp: