




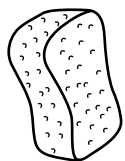
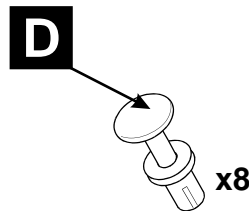
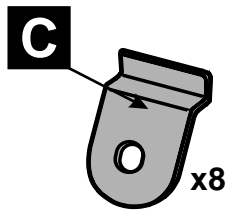
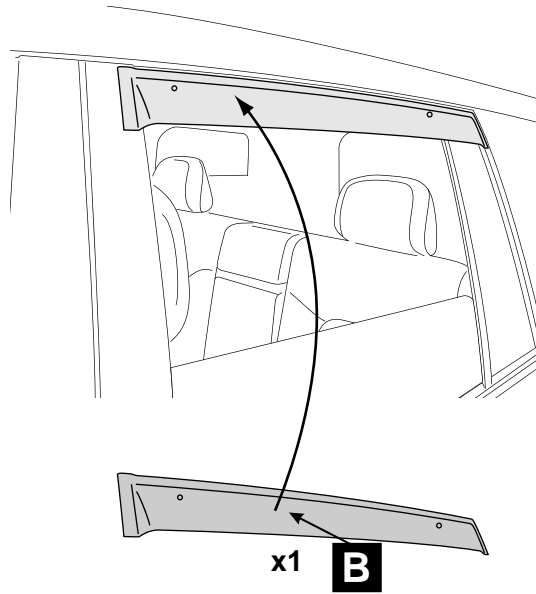
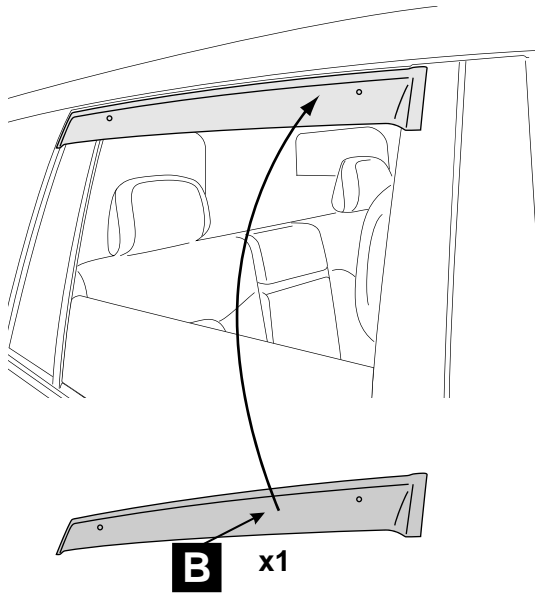
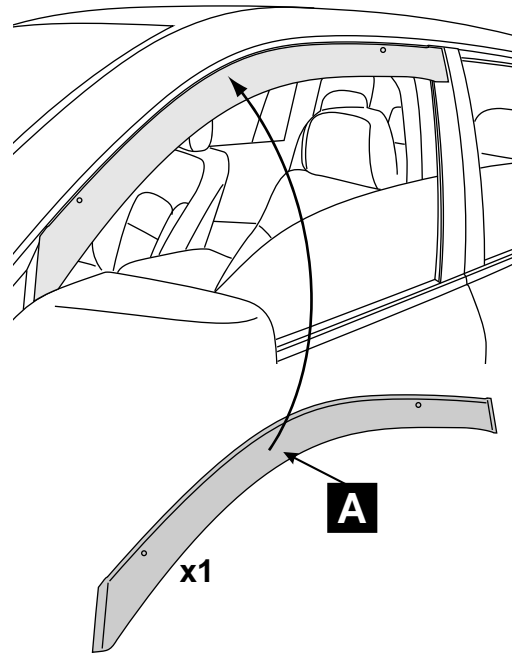
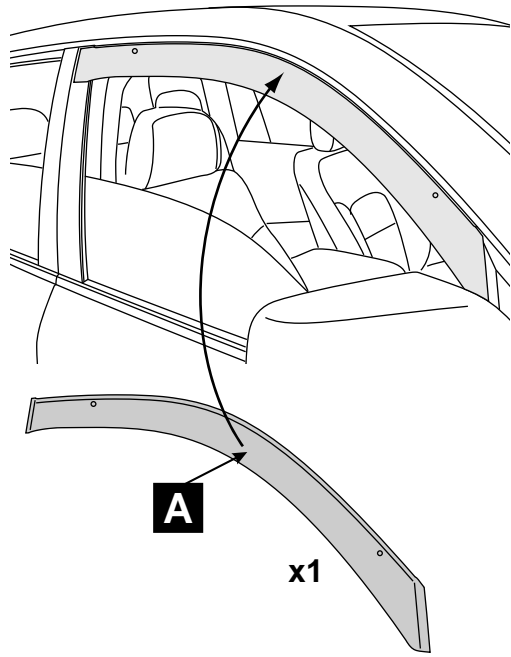
Avensis

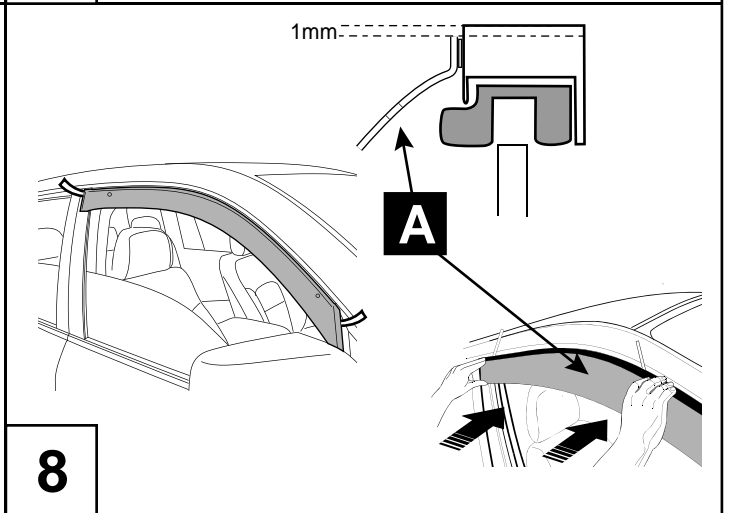
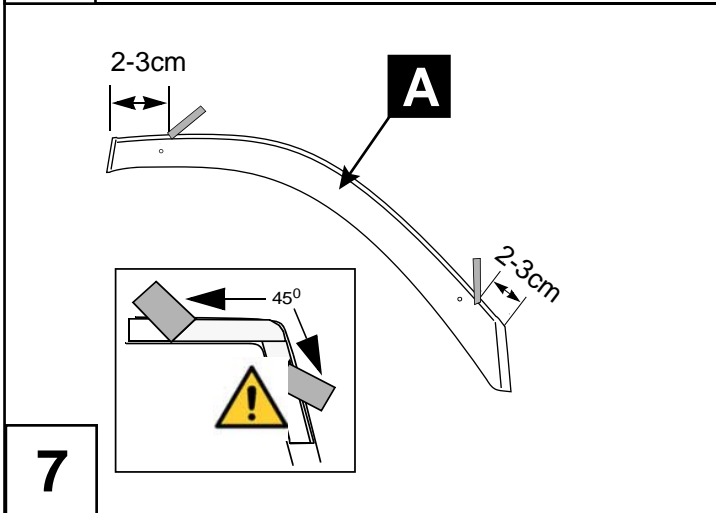
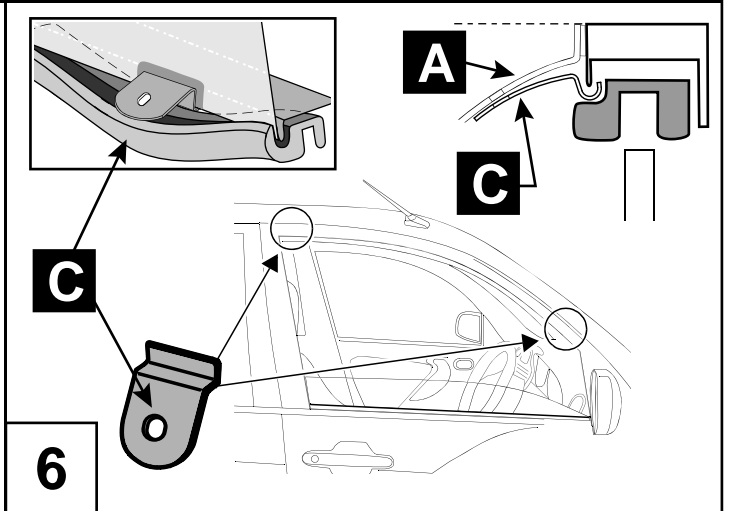
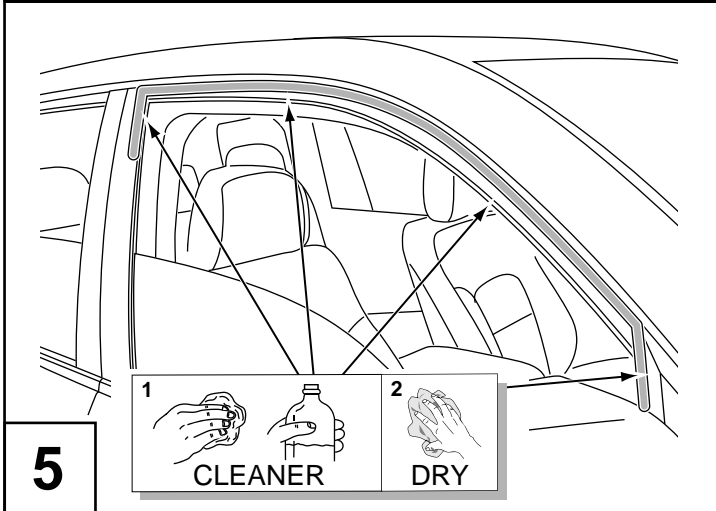
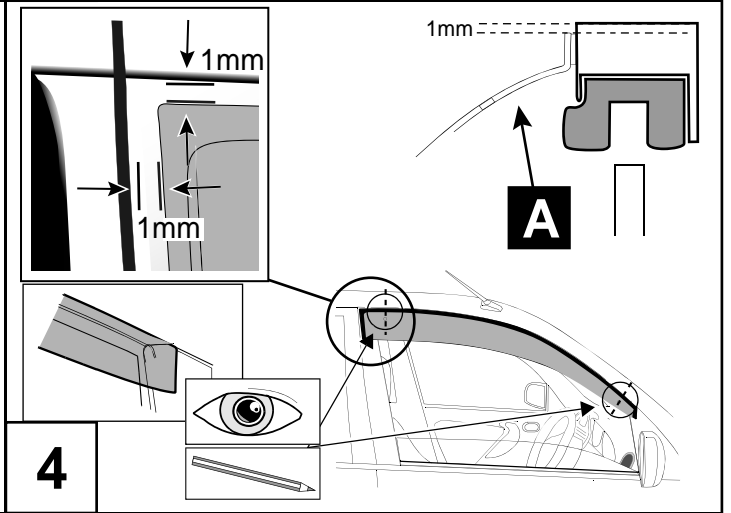
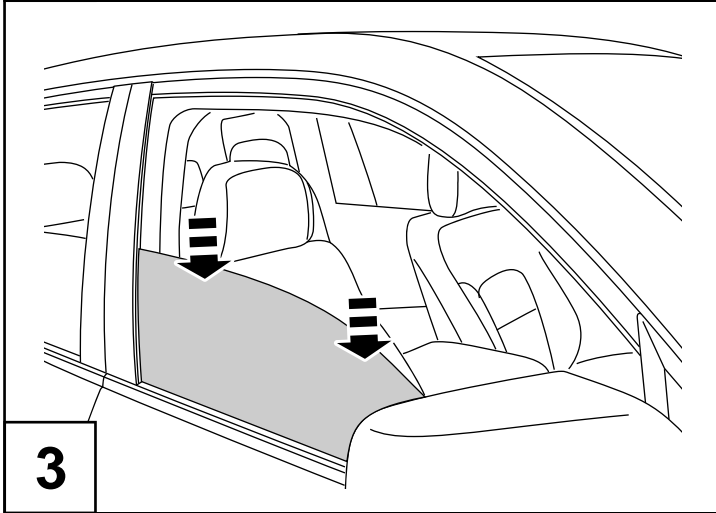
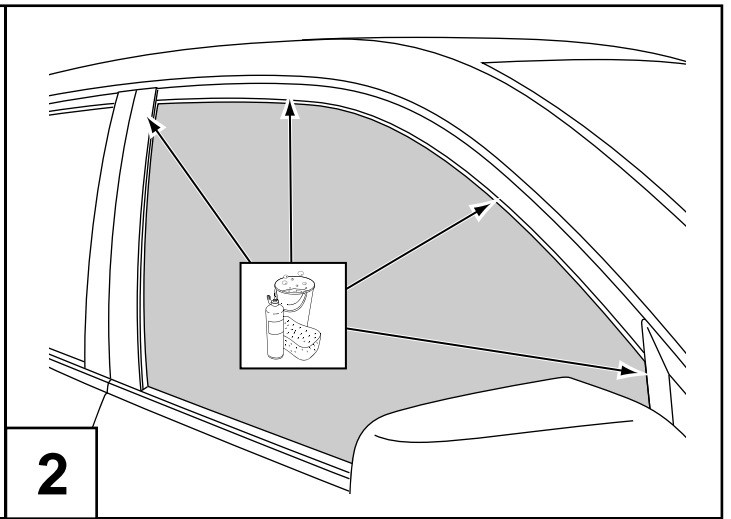
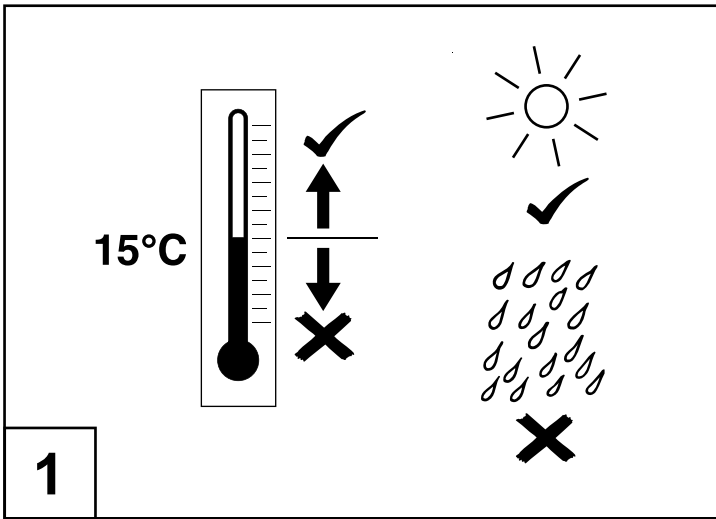
Wind Deflectors

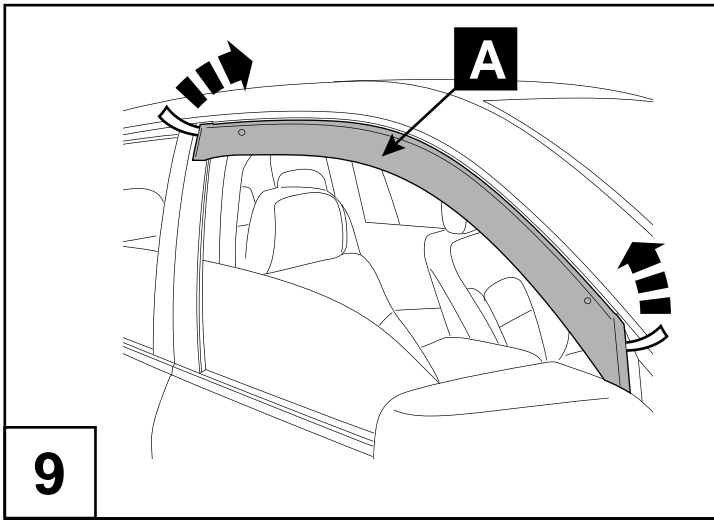
Installation instructions

Model year: 2009
Vehicle code: **T27**-AW***W
Part number: PZ451-T5533-ZA
 Weight: 1.54 kg

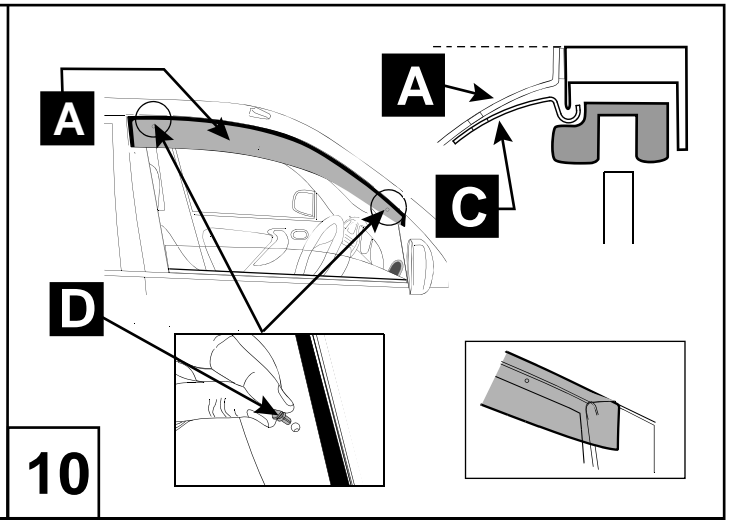
Manual reference number: AIM 001 239 -0



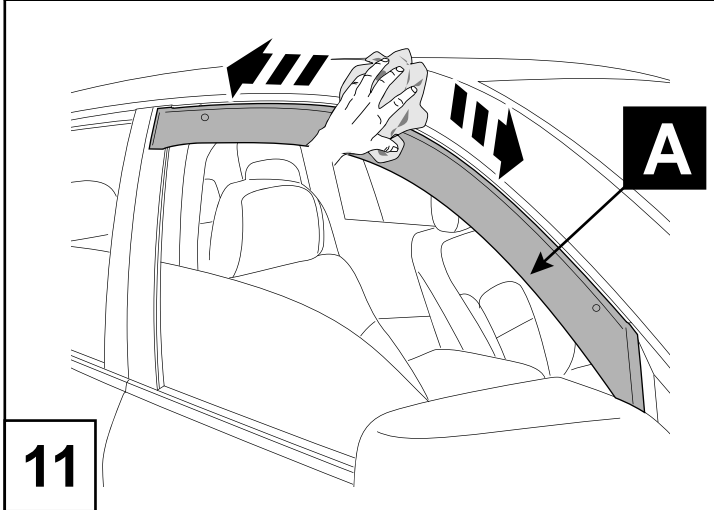




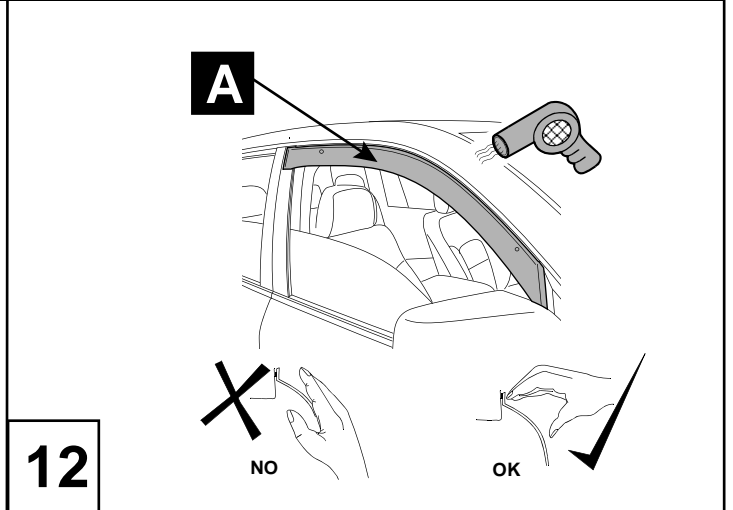
9



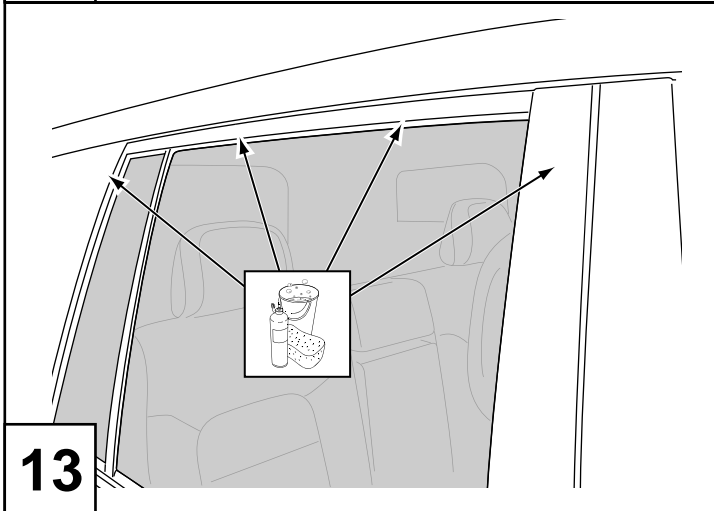
10



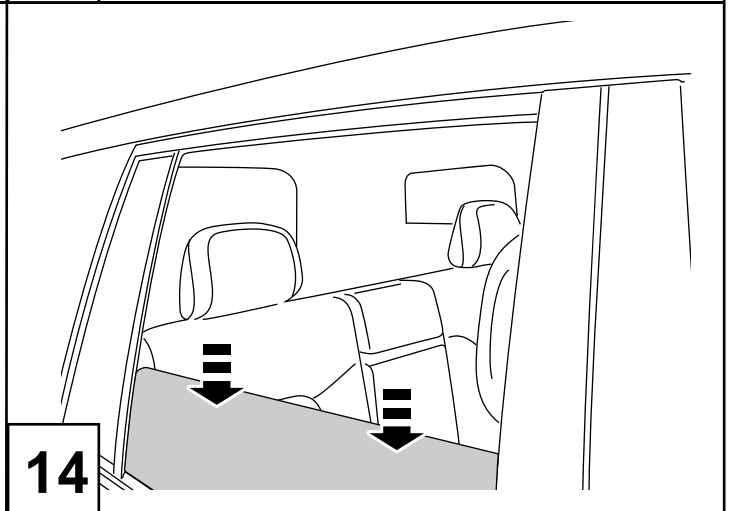
11



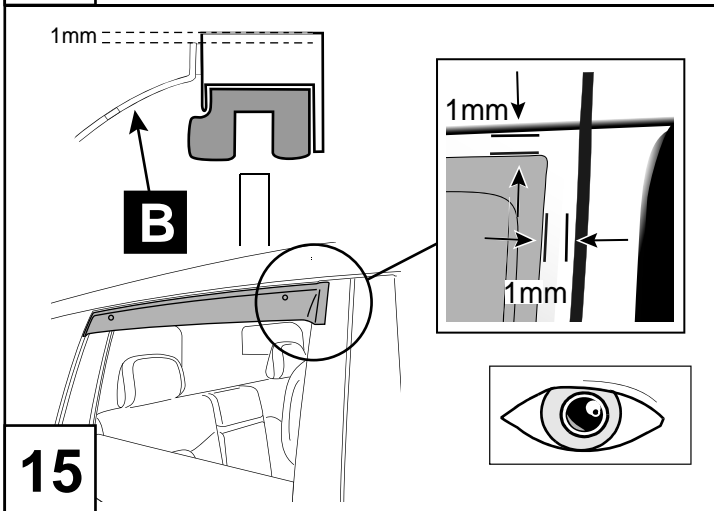
12



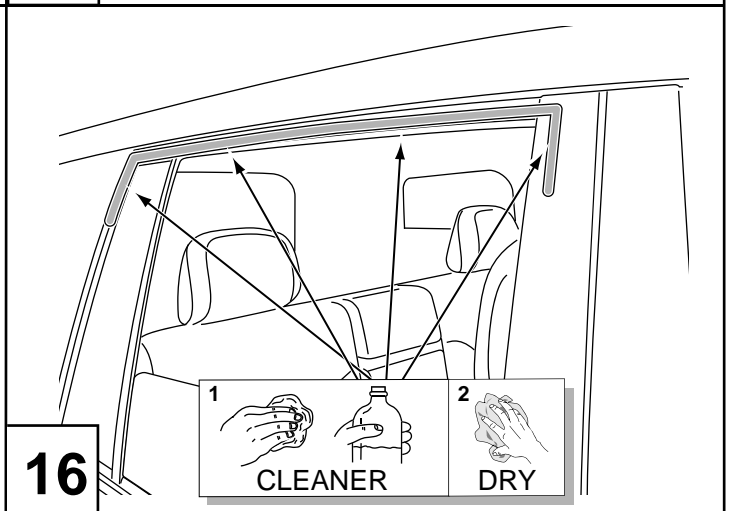
13



14



15



16

