




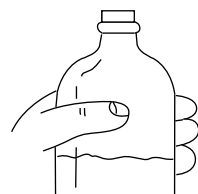
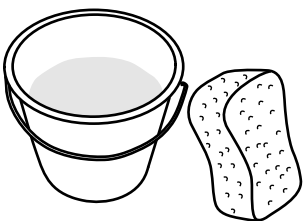
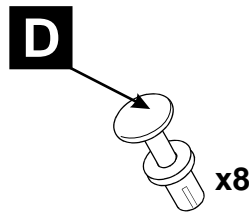
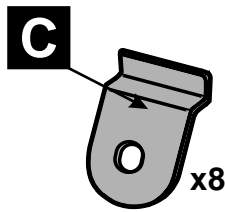
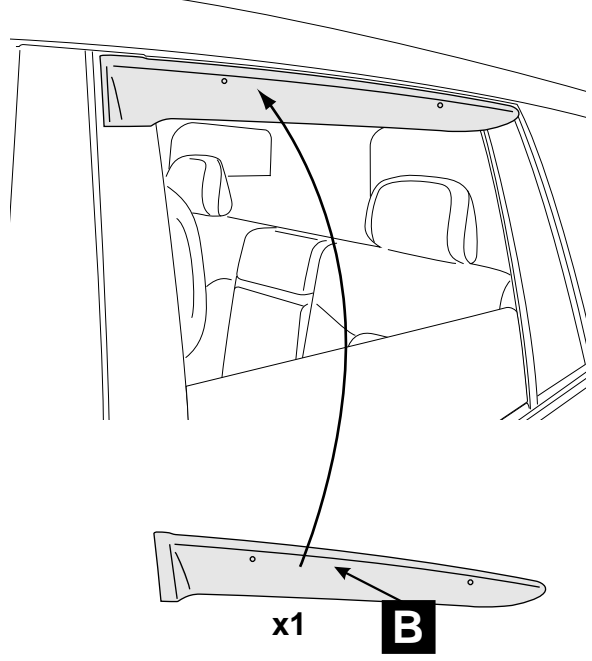
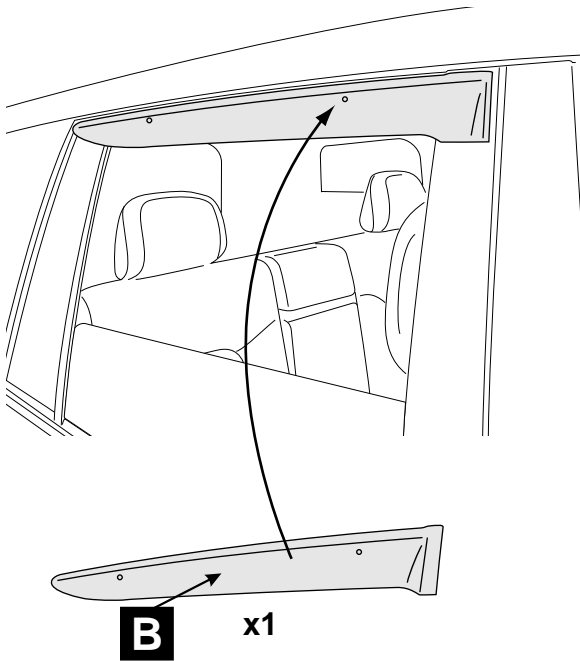
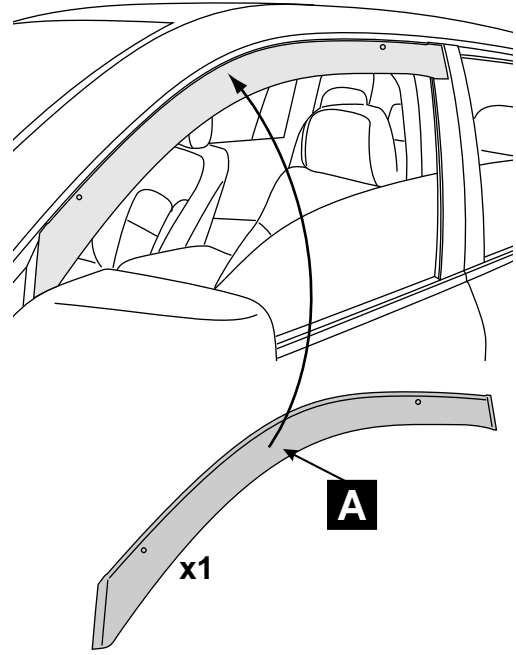
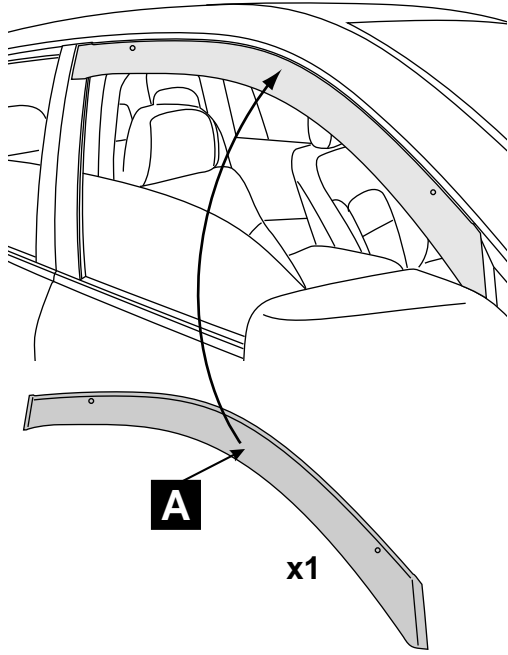
Avensis

Wind Deflectors

Installation instructions

Model year: 2009
Vehicle code: **T27**-AE***W
Part number: PZ451-T0533-ZA
 Weight: 1.60 kg

Manual reference number: AIM 001 236 -0



1

15°C

✓ ↑
✗ ↓

☀️ ✓
☔️ ✗

2

3

4

1mm

1mm

A

5

1 CLEANER

2 DRY

6

A

C

7

2-3cm

A

2-3cm

45°

!

8

1mm

A

