




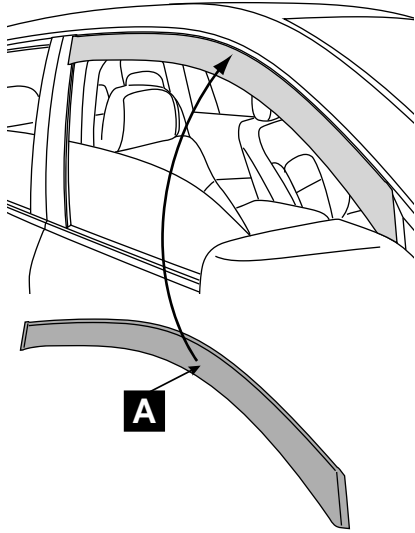
Landcruiser V8

Wind Deflectors

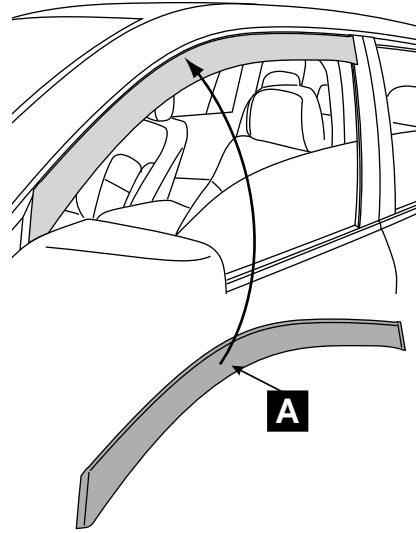
Installation instructions

Model year: 08/2007
Vehicle code: **J200*-G**E*W
Part number: PZ451-70533-ZA
 Weight: 0.5 kg

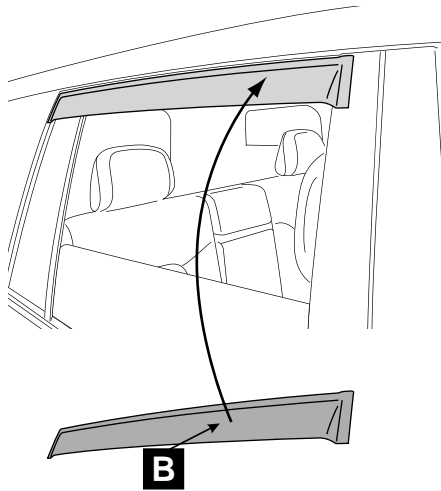
Manual reference number: AIM 000 992-1



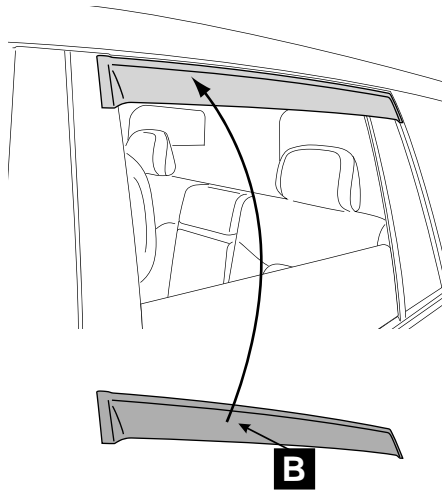
A



A



B



B

