



TOYOTA

ALWAYS A
BETTER WAY

Auris

Side Sills

Installation Instructions

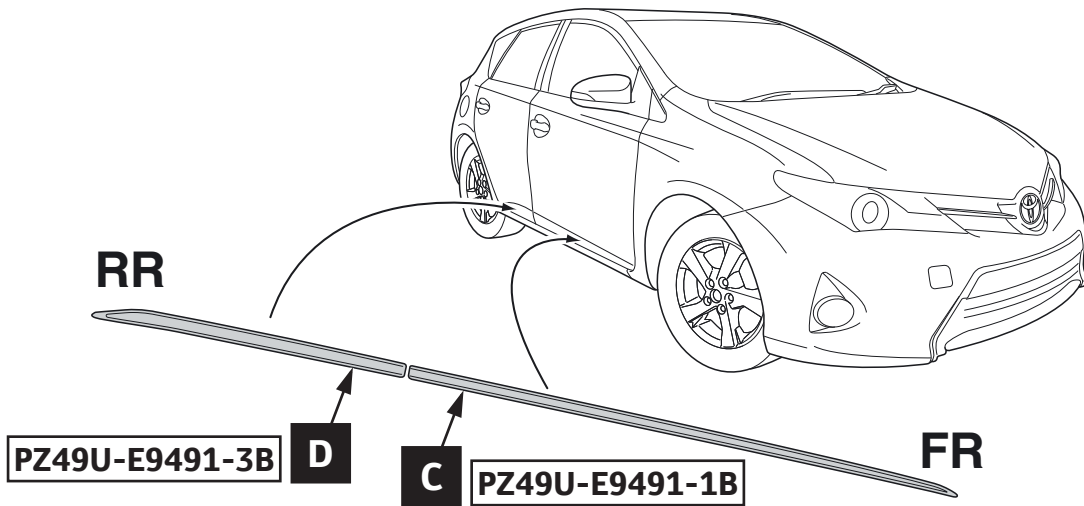
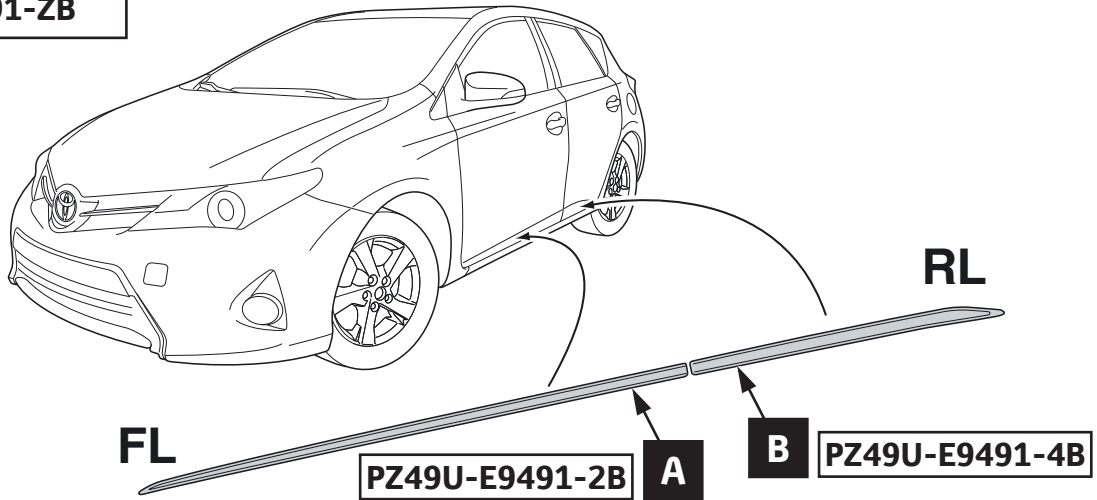
Model year: 2012/10
Vehicle code: **E18**-D****W
Part number: PZ49U-E9491-ZB

Manual reference number: AIM 002 582-0

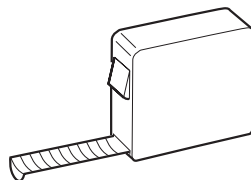
Revision record

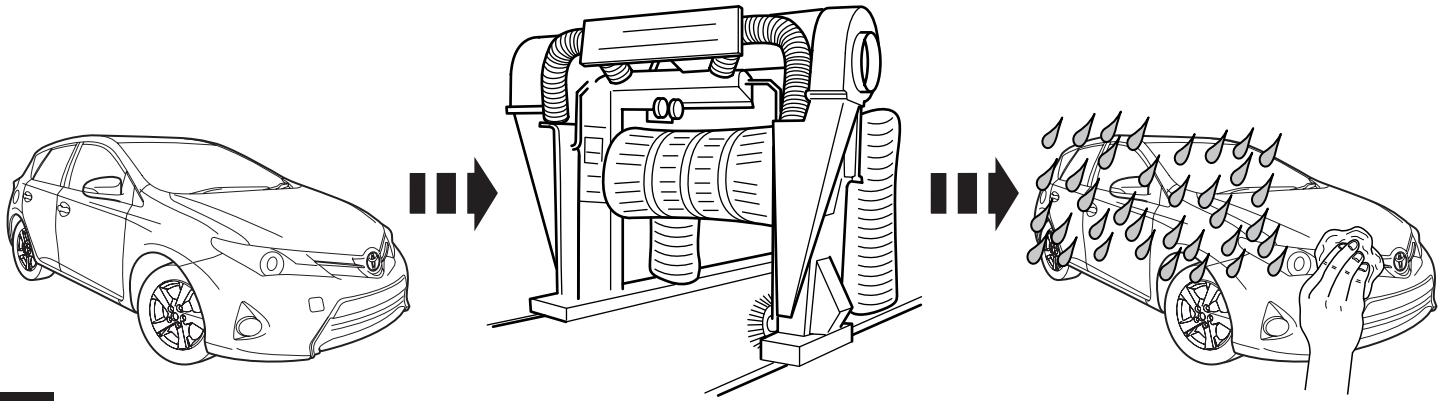
Rev. No.	Date	Page	Picture	Update	New	Deleted steps

PZ49U-E9491-ZB



3M 2010

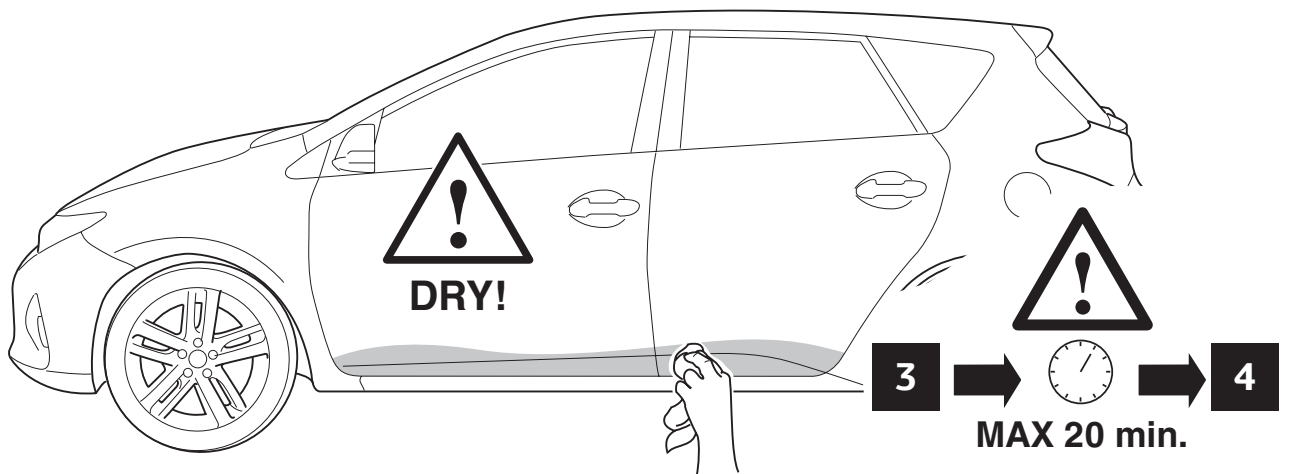




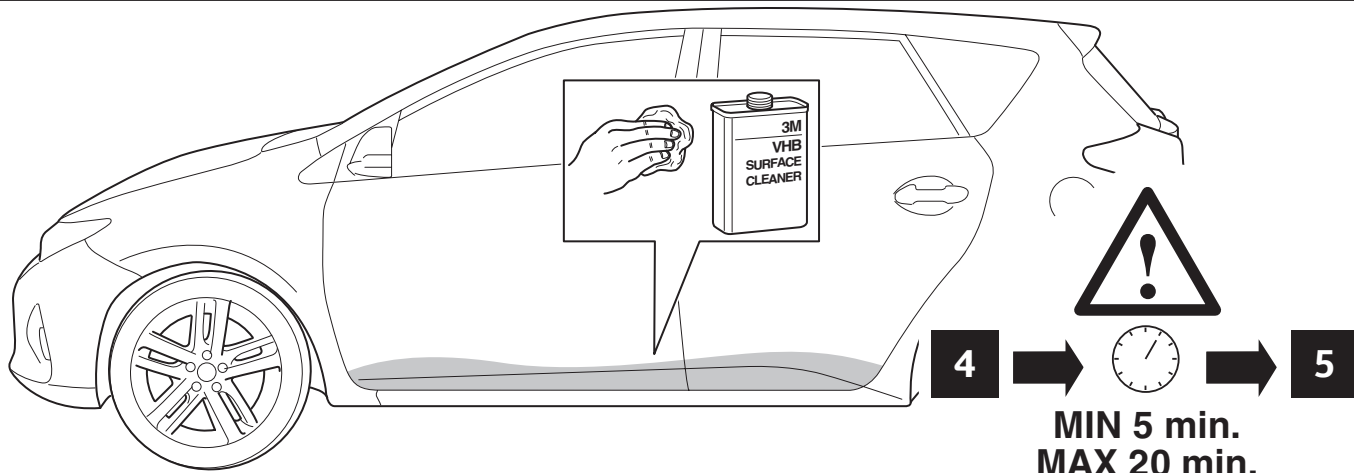
1



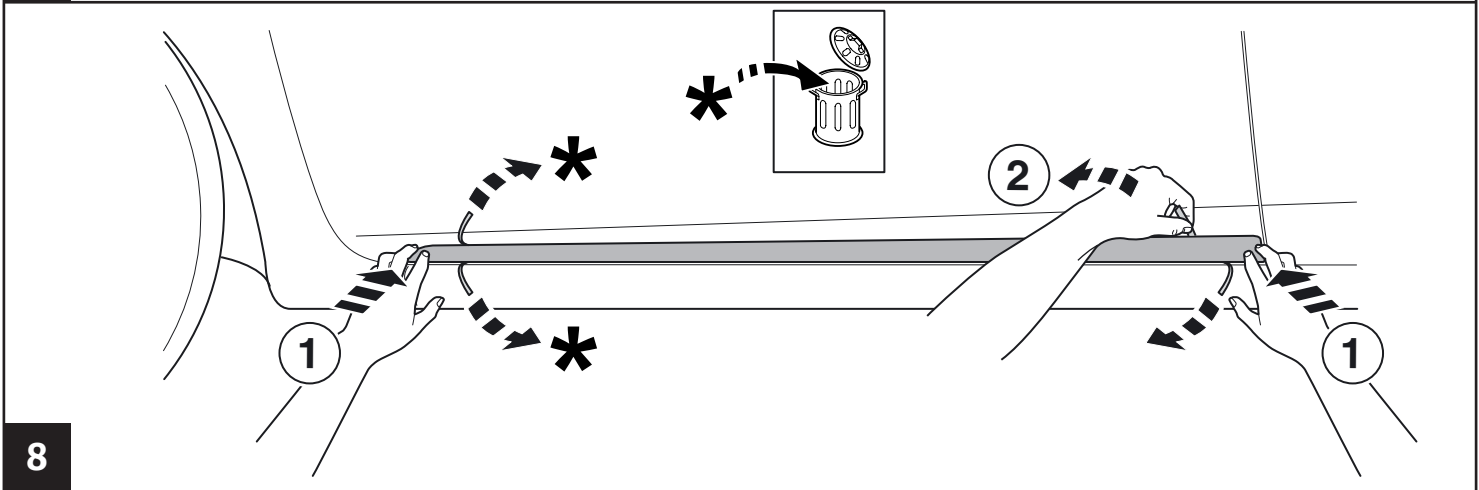
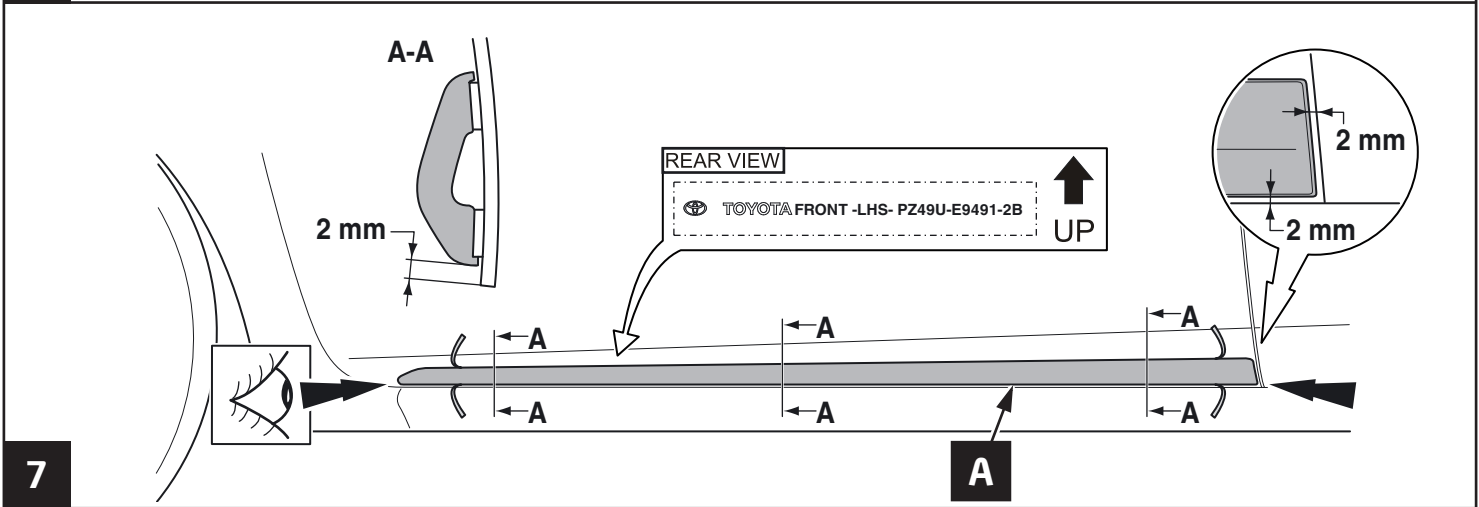
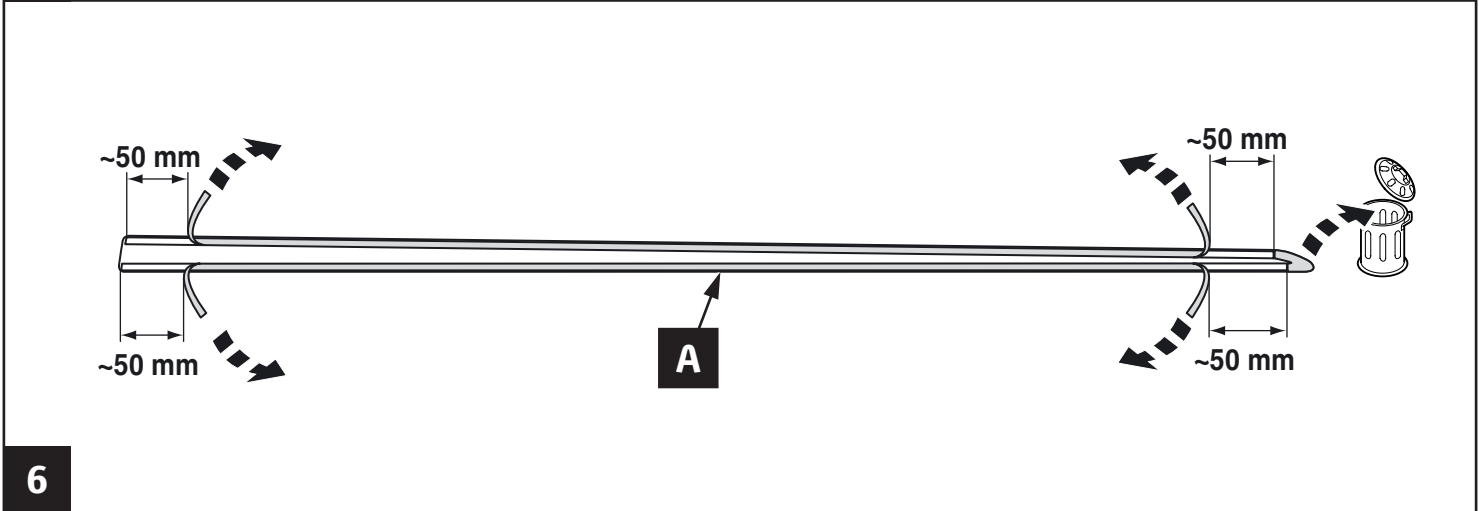
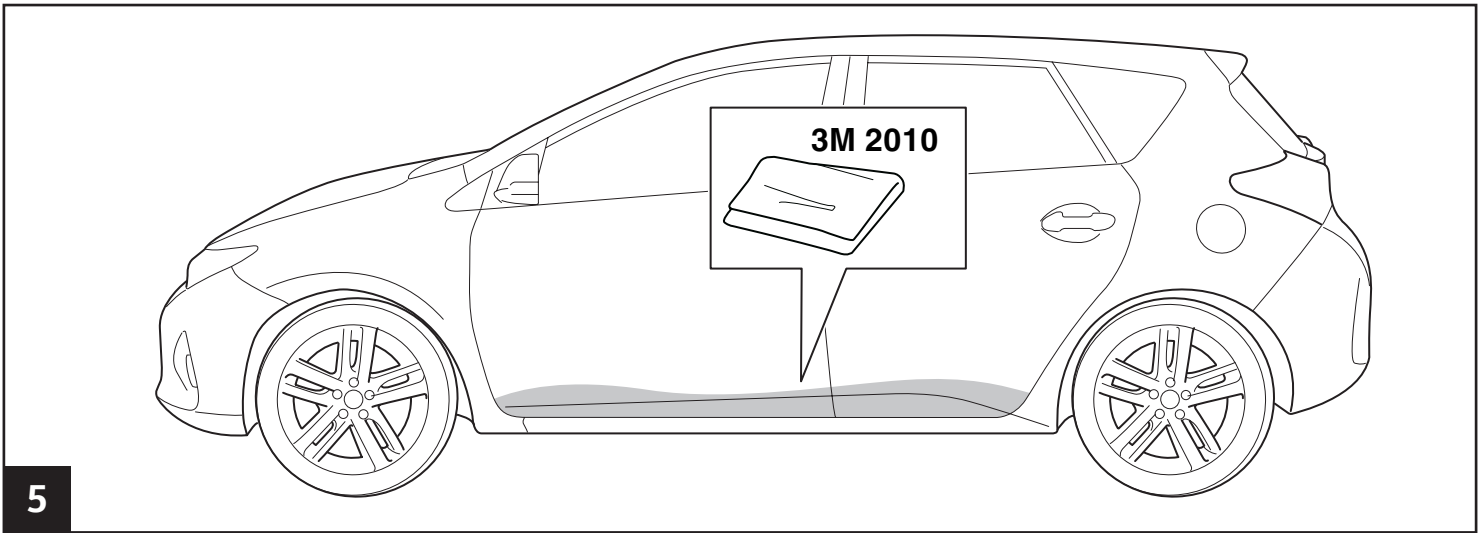
2

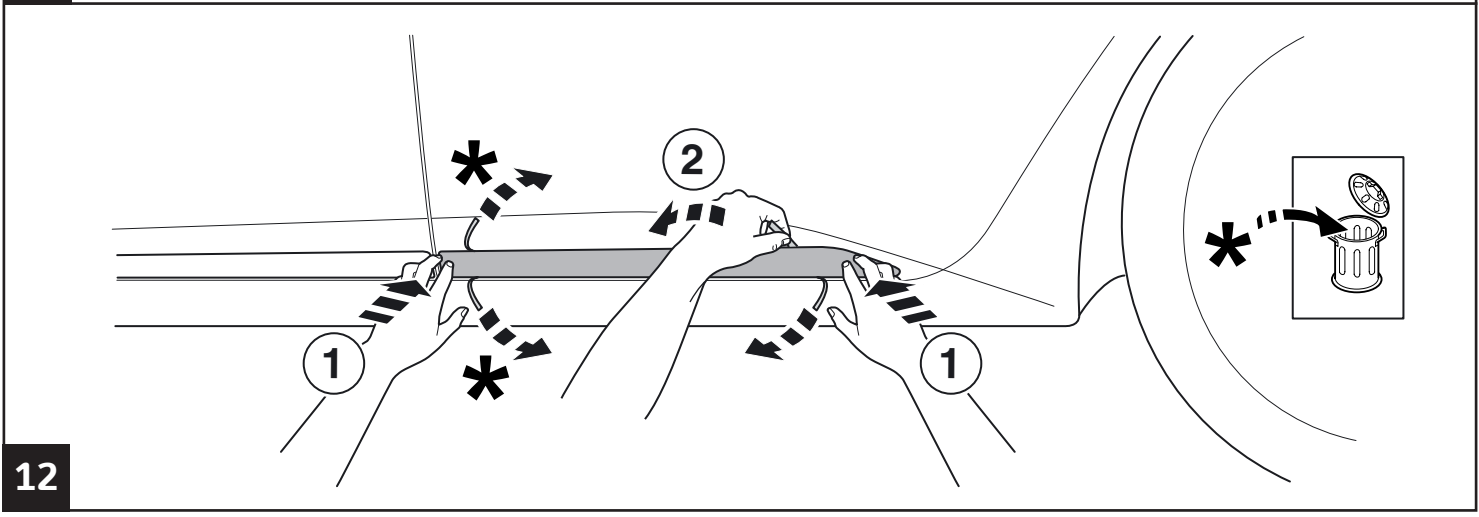
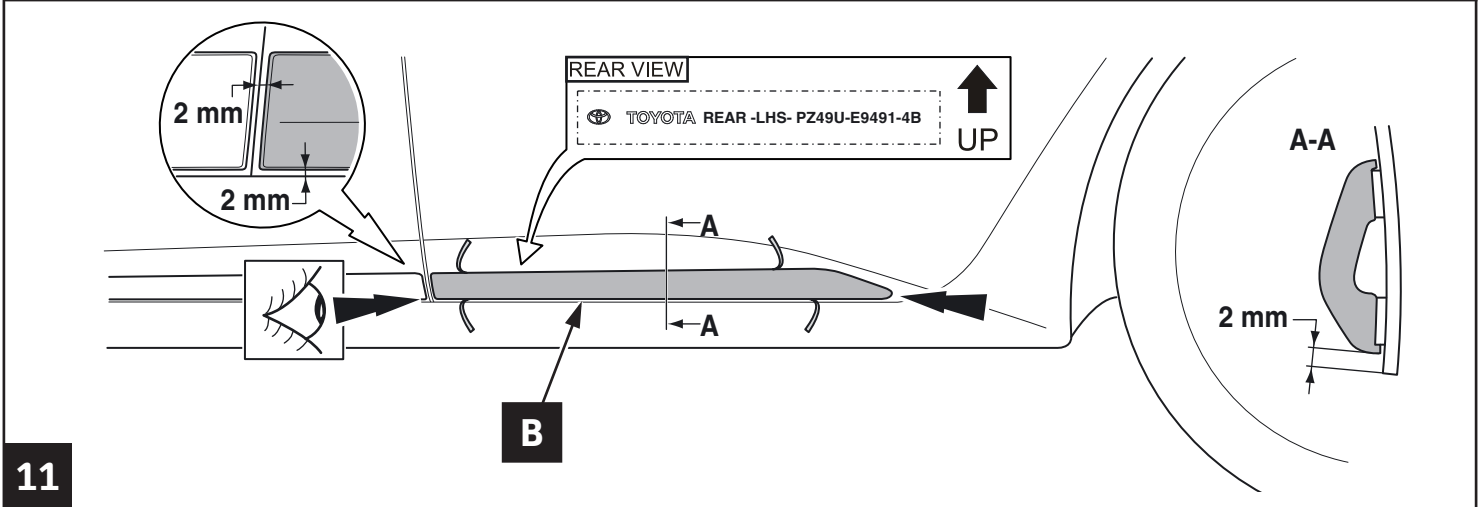
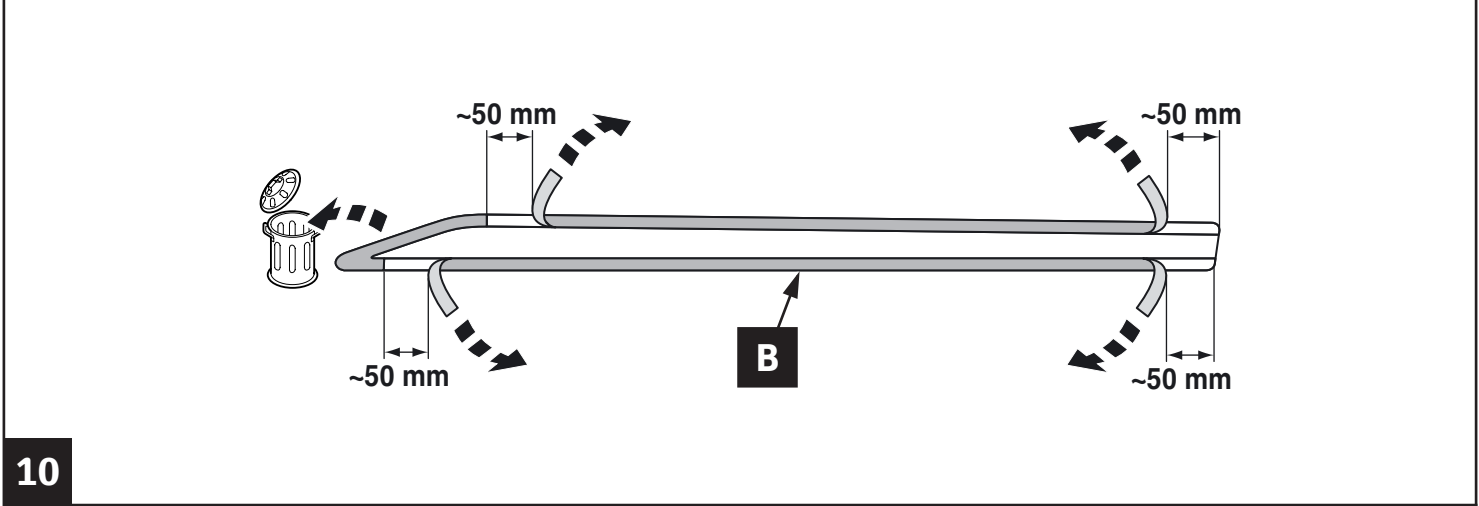
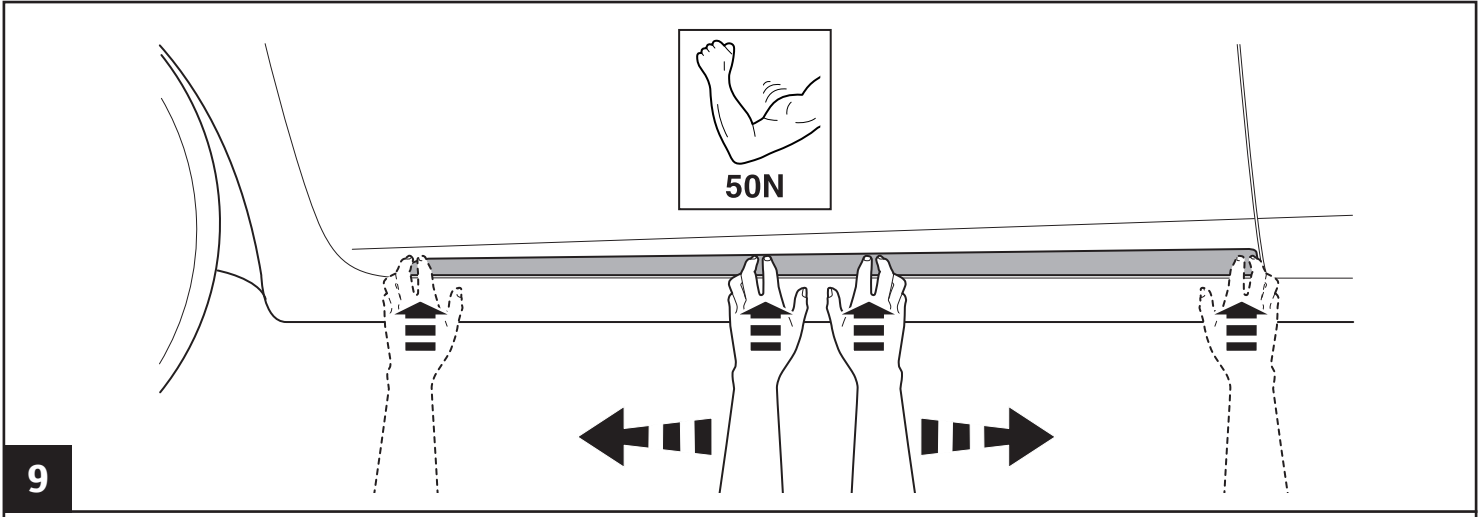


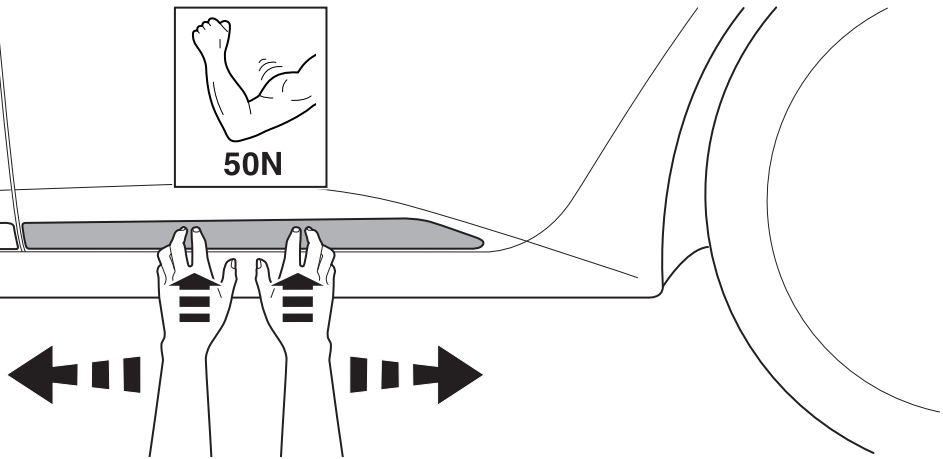
3



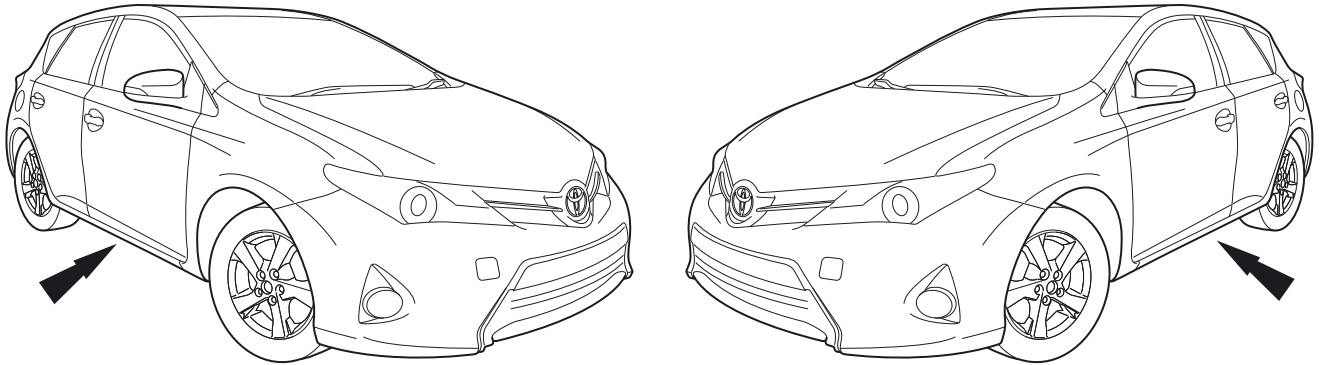
4







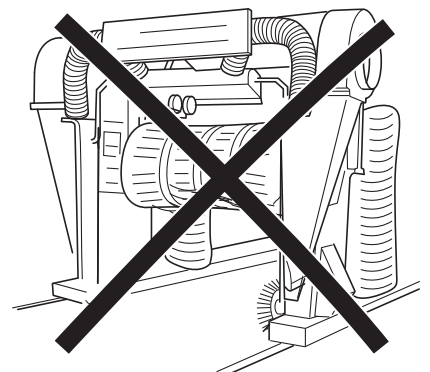
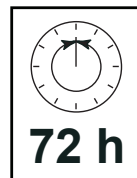
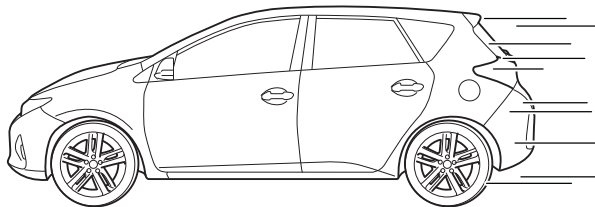
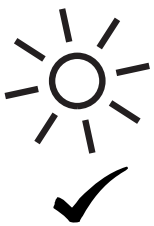
13



RHS = LHS

C D A B

14



15

CHECK SHEET



TOYOTA

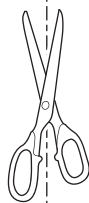
Model / Year **Auris 2012/10** Side Sills

VIN n°

ALWAYS A BETTER WAY

P/N = OK

CLEANER



= OK

Installation Date:

... / ... / ...

Technician Name & Signature:

Stamp: