


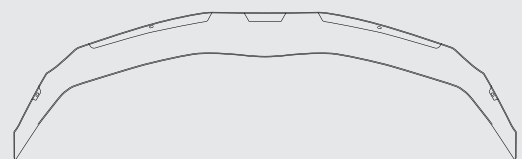


# Auris

## Bonnet Protector

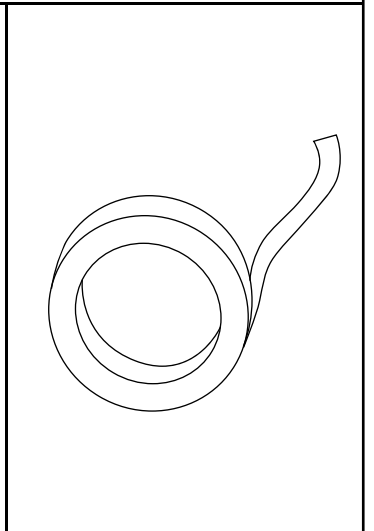
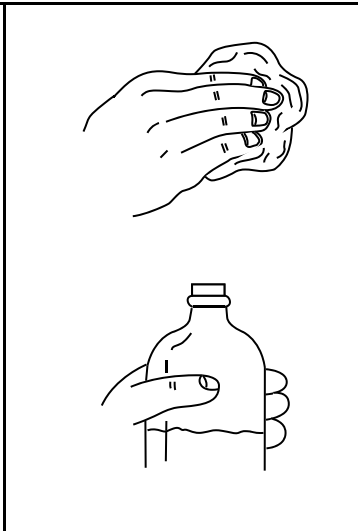
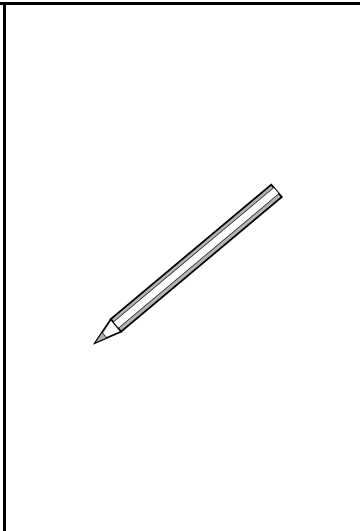
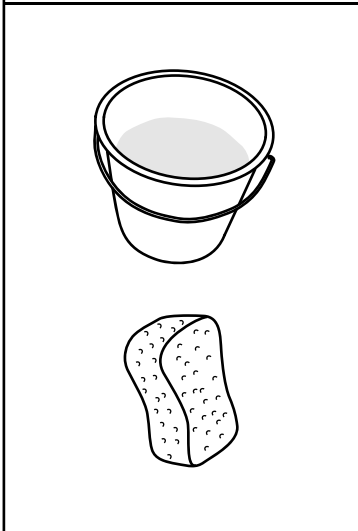
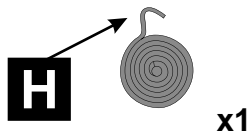
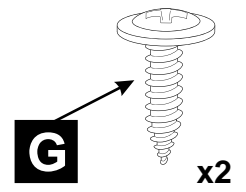
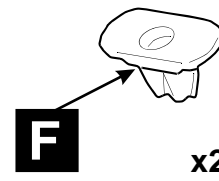
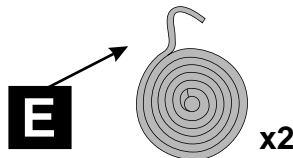
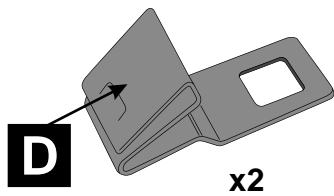
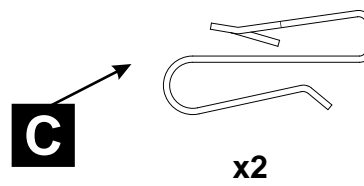
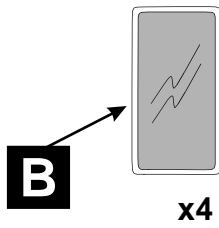
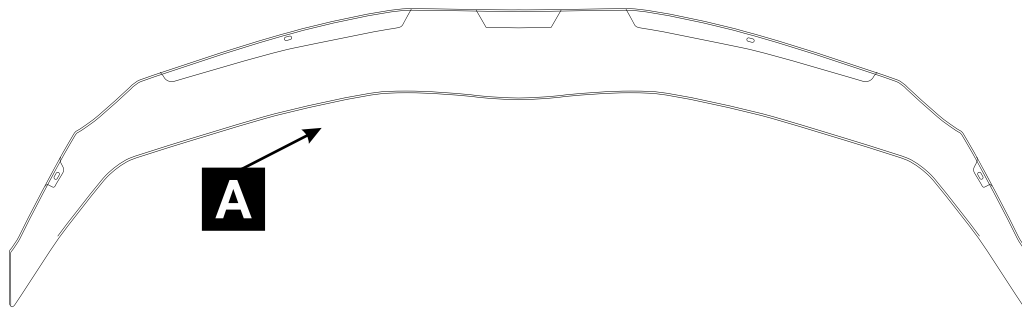
### Installation instructions

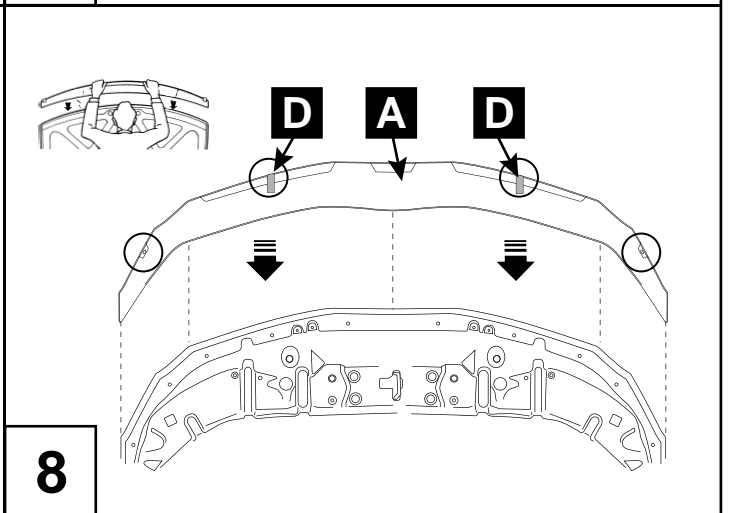
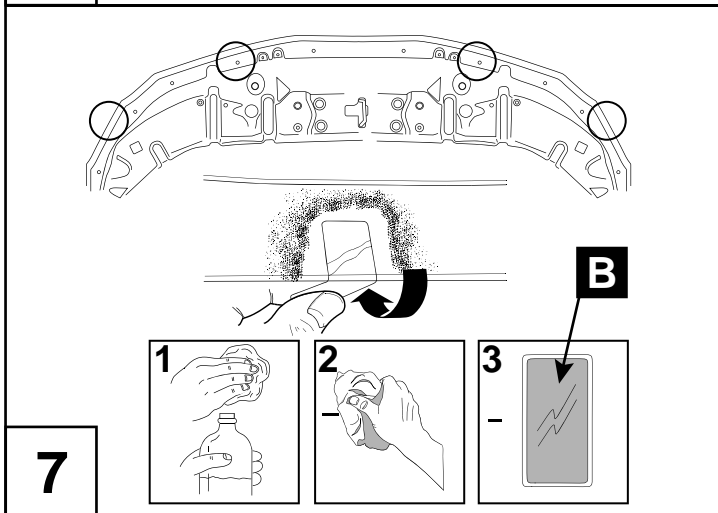
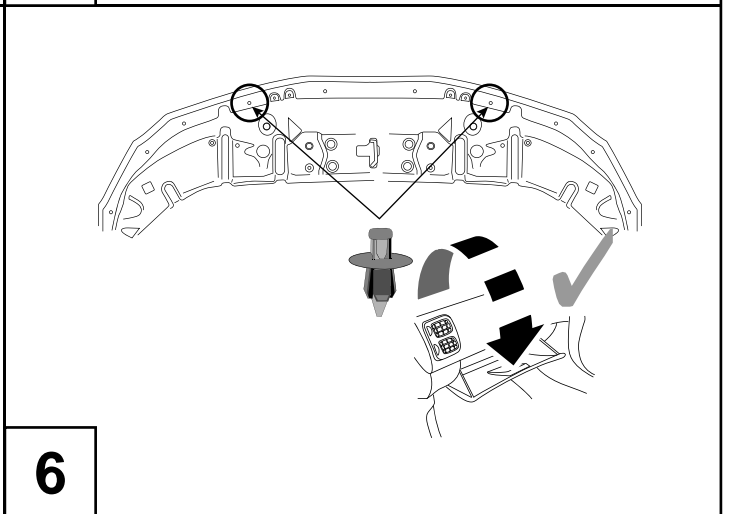
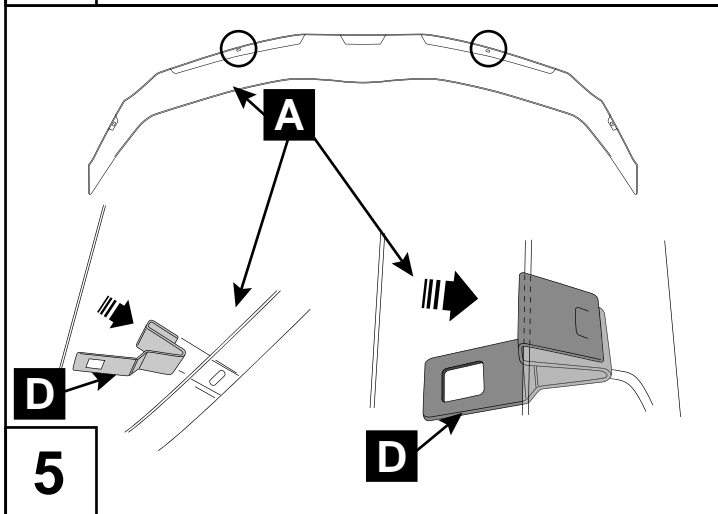
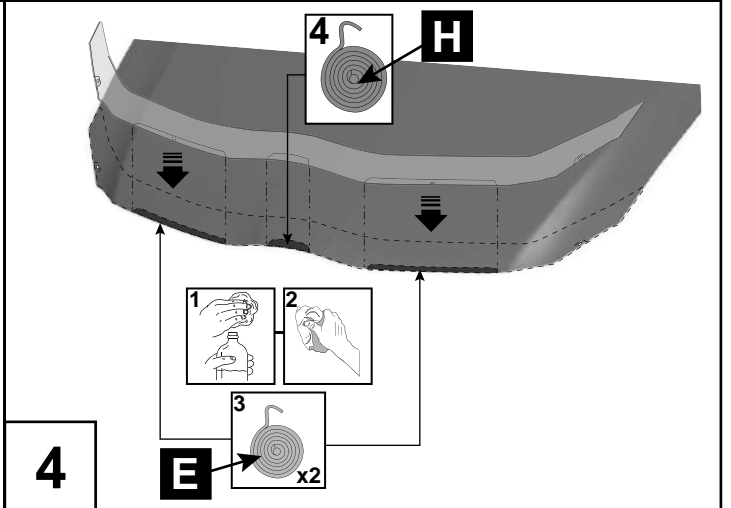
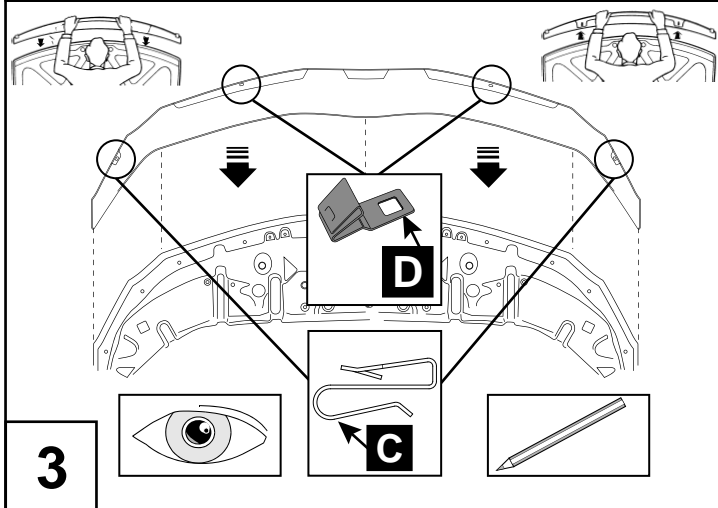
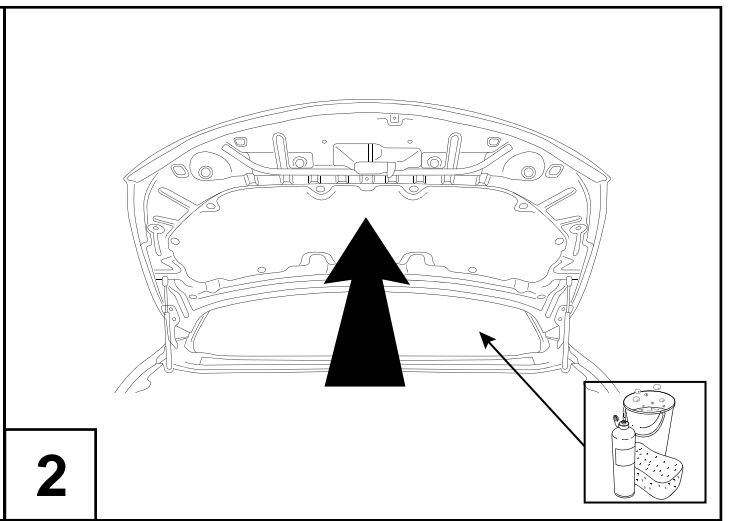
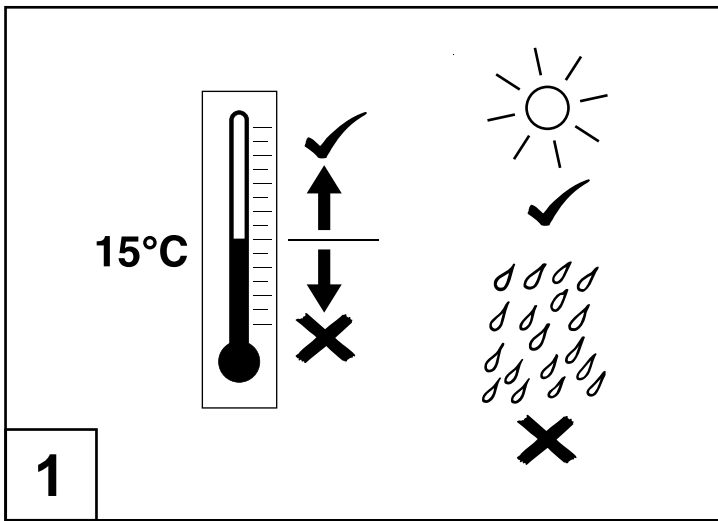
Model year: 2010  
Vehicle code: \*\*E15\*-D\*\*\*\*W  
Part number: PZ451-E0531-ZA  
 Weight: 0.6 kg

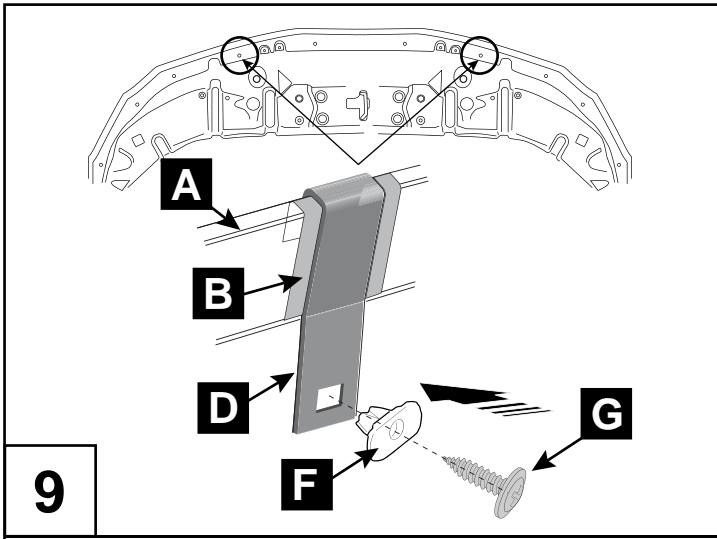


Manual reference number: AIM 001 809-0

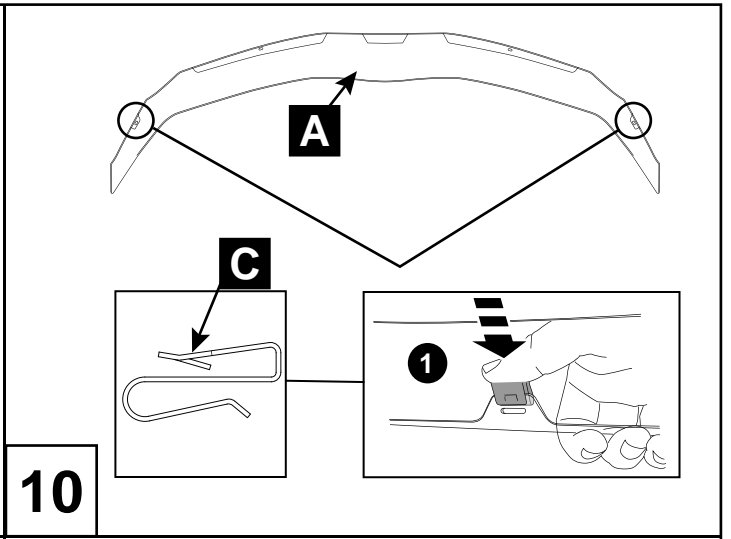
B2120a



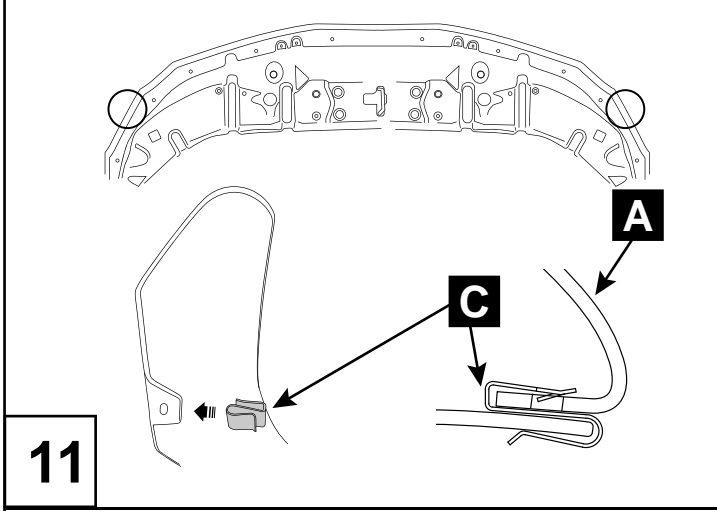




9



10



11