




# Corolla Sedan


## Bonnet Deflector

### Installation instructions



Model year: 10/2006  
Vehicle code: \*\*E15\*\*-\*H\*\*\*W  
Part number: PZ451-E3531-ZA

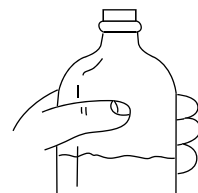
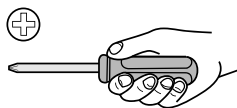
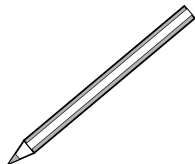
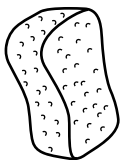
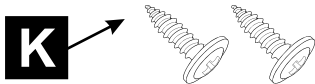
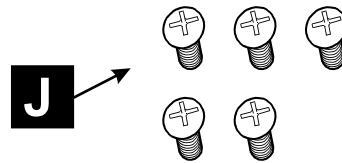
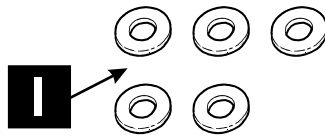
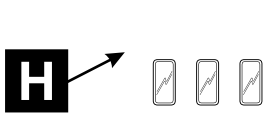
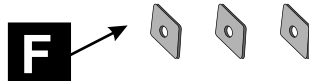
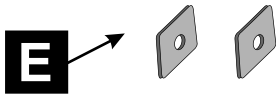
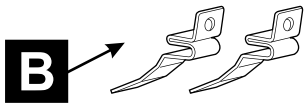
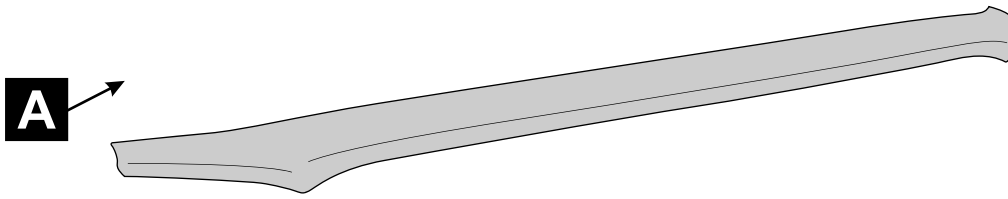
 Weight: 0.5 kg

 Installation time: 0.5 hours

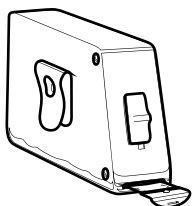
Manual reference number: AIM 000 908-1

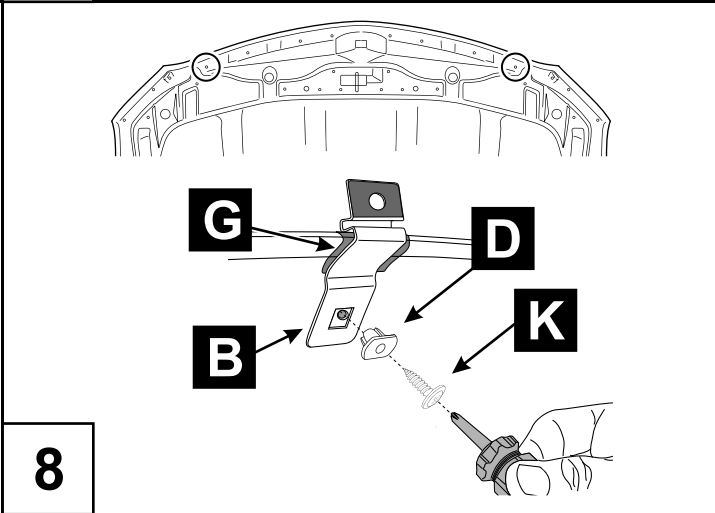
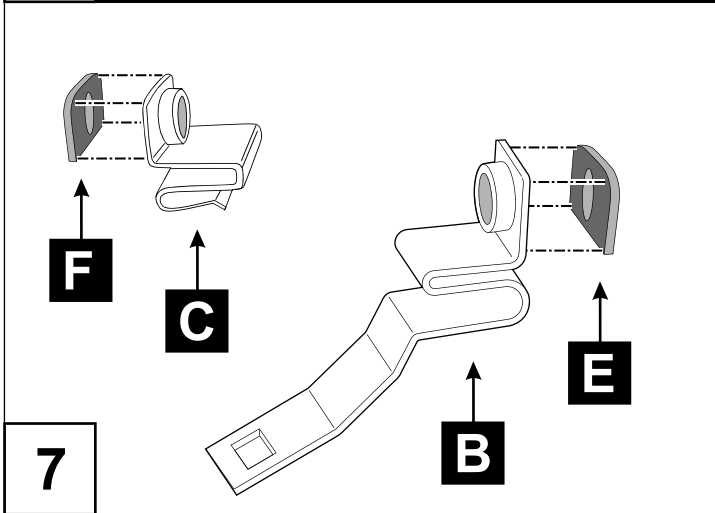
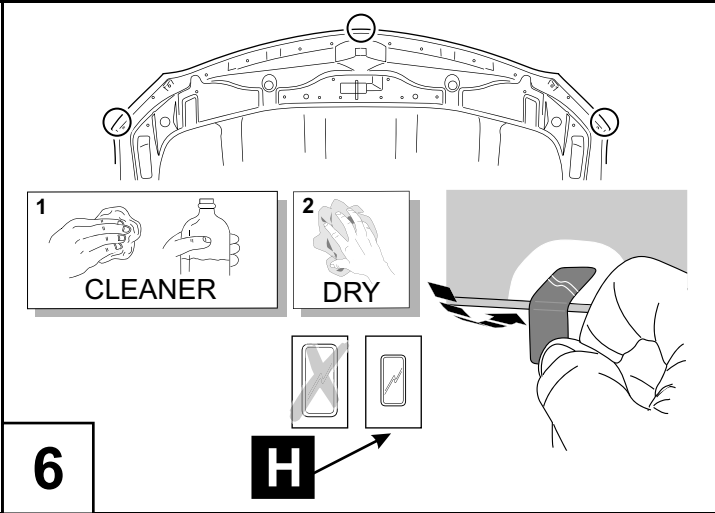
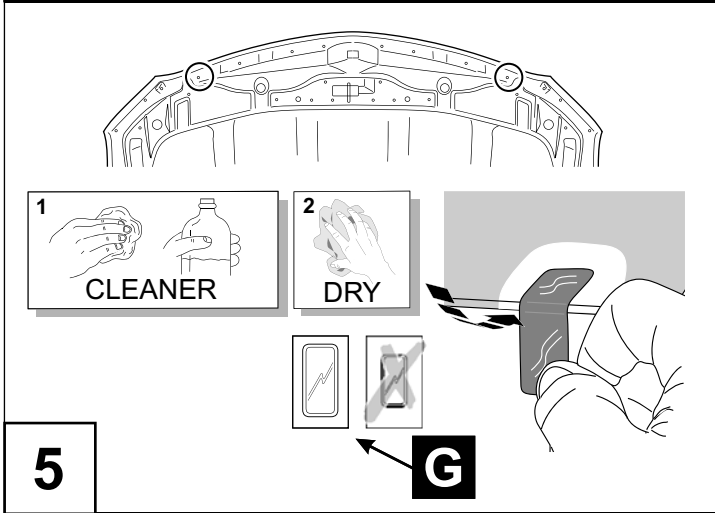
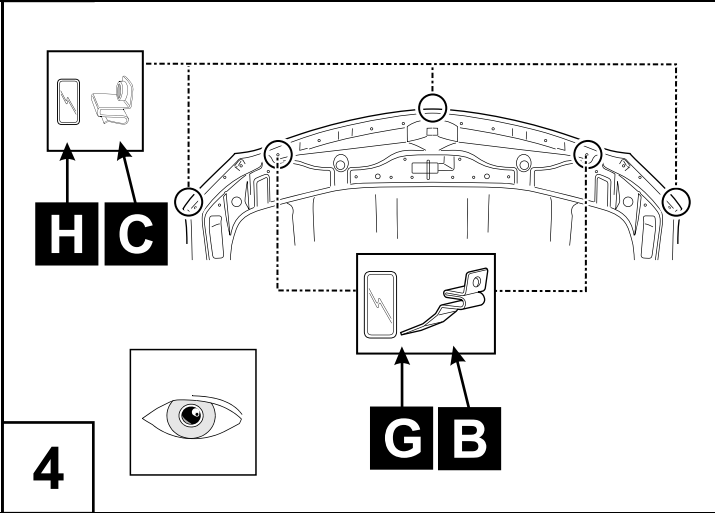
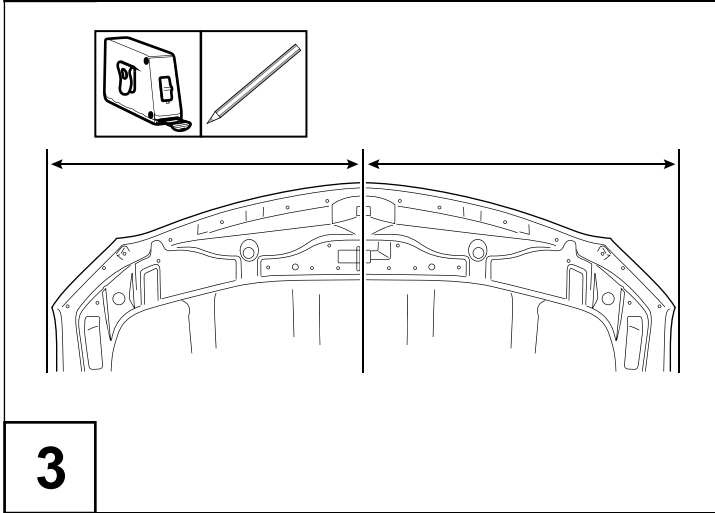
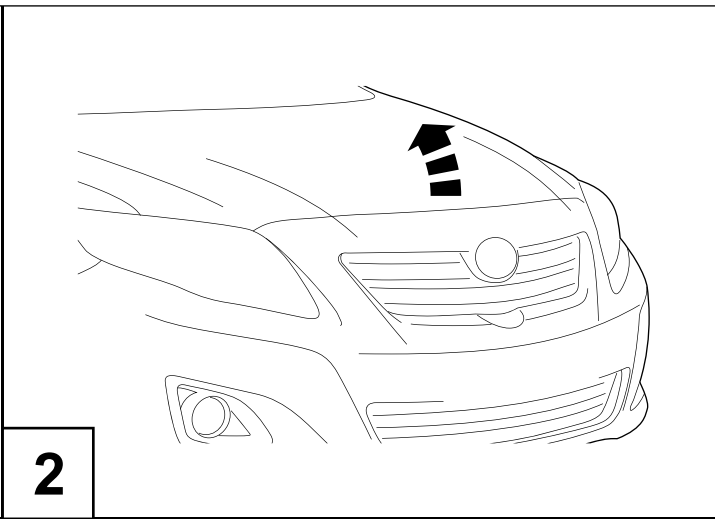
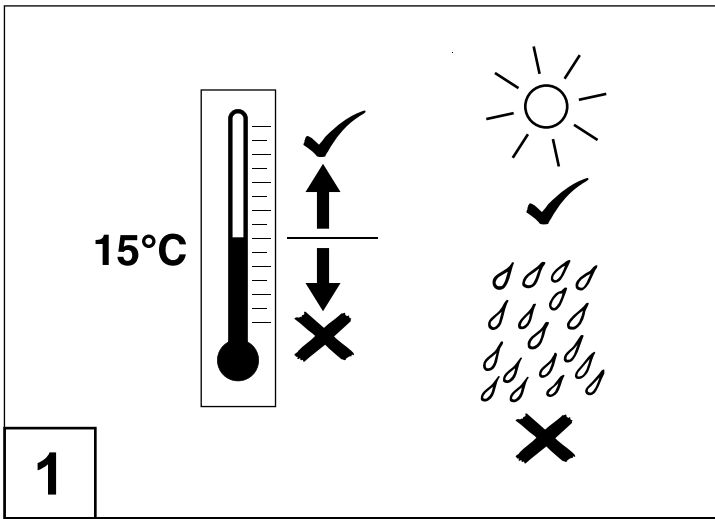
# Revision Record

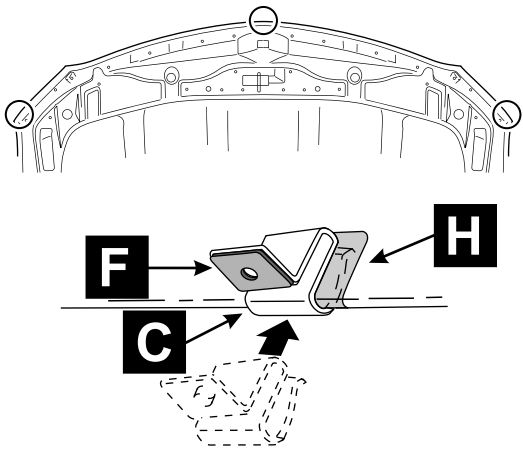
| Rev. No. | Date     | Page | Picture  | Update | New | Deleted |
|----------|----------|------|----------|--------|-----|---------|
| 1        | 09-04-10 | 4,5  | 4,5,8,11 | ✓      |     |         |
|          |          |      |          |        |     |         |
|          |          |      |          |        |     |         |
|          |          |      |          |        |     |         |
|          |          |      |          |        |     |         |
|          |          |      |          |        |     |         |
|          |          |      |          |        |     |         |
|          |          |      |          |        |     |         |
|          |          |      |          |        |     |         |
|          |          |      |          |        |     |         |



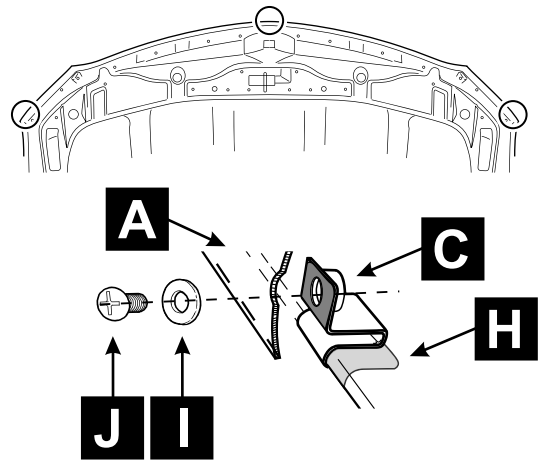
CLEANER



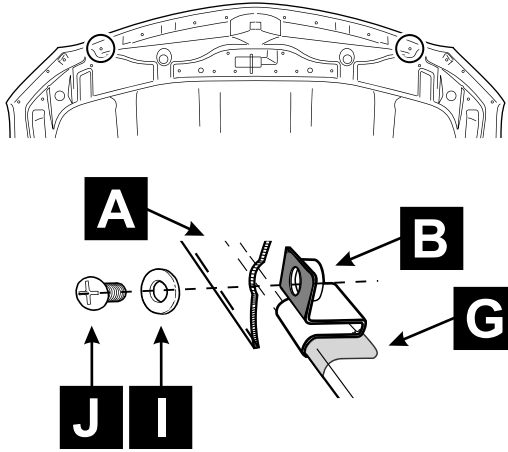




9



10



11

