



**TOYOTA**

ALWAYS A  
**BETTER WAY**

# Land Cruiser

## Wind deflectors

Installation Instructions

Model year: 2009/09, 2013/08

Vehicle code: \*\*J15\*\*-G\*\*E\*W

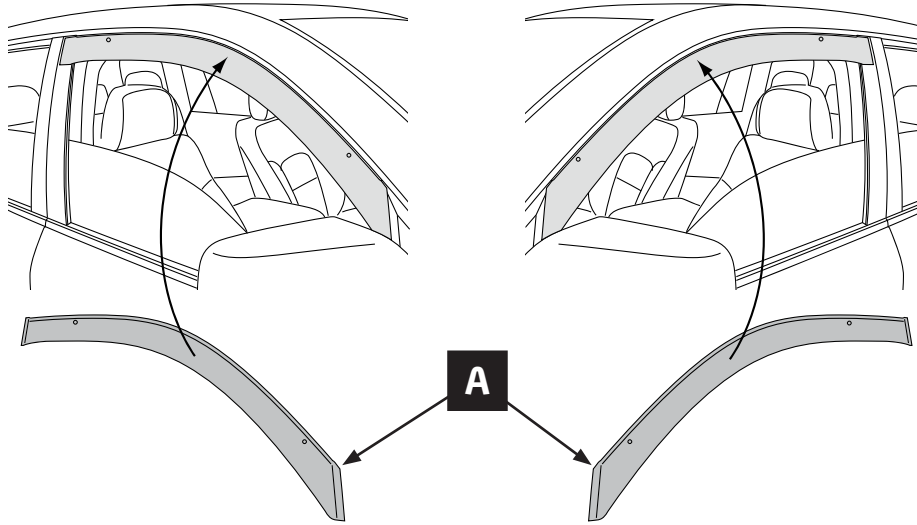
Part number: PZ451-J0532-ZA Front and rear set  
PZ451-J0533-ZA Front set

Manual reference number: AIM 001 623-1

# Revision record

Rev. No.	Date	Page	Picture	Update	New	Deleted steps
1	16/07/2013	3	1		x	
		3	2	x		
		6	25	x		
		7	Check Sheet	x		

## FRONT SET

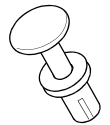


1x



**C**

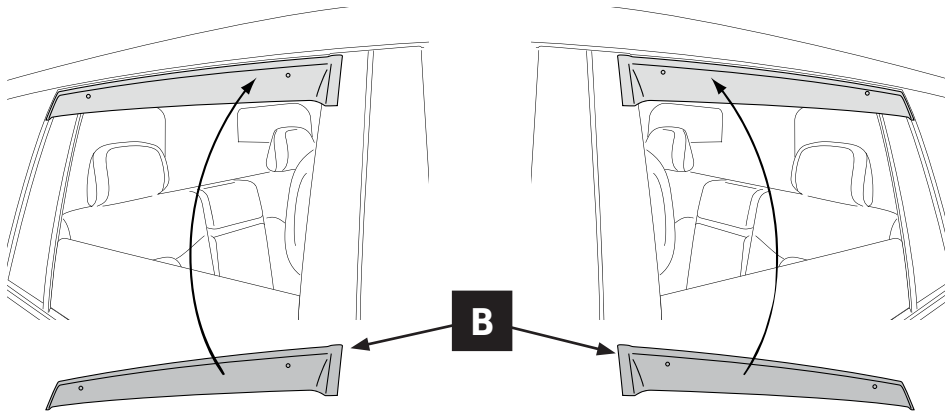
8x



**D**

8x

## REAR SET

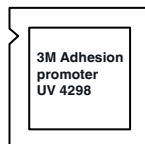


1x



**E**

8x

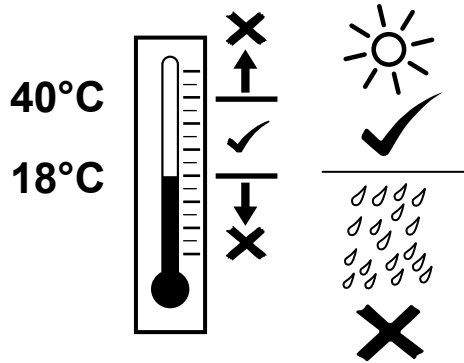


**3M Adhesion promoter UV 4298**

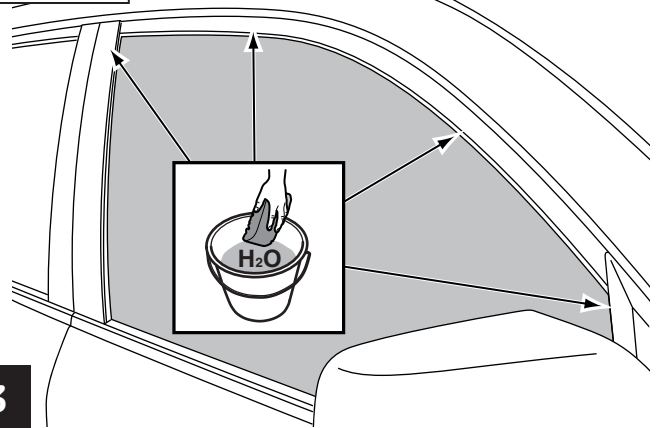




1

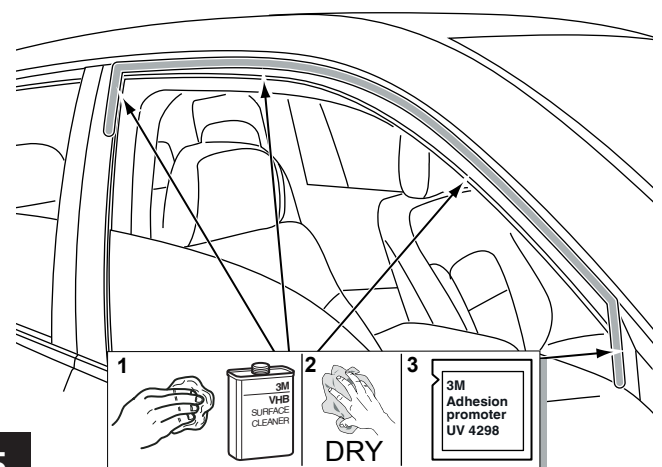
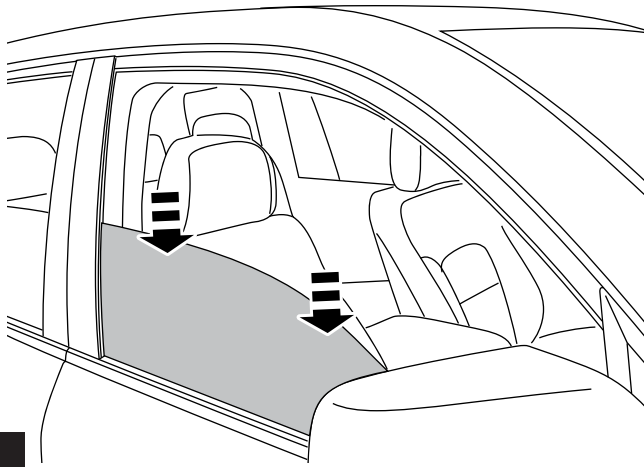


LH=RH



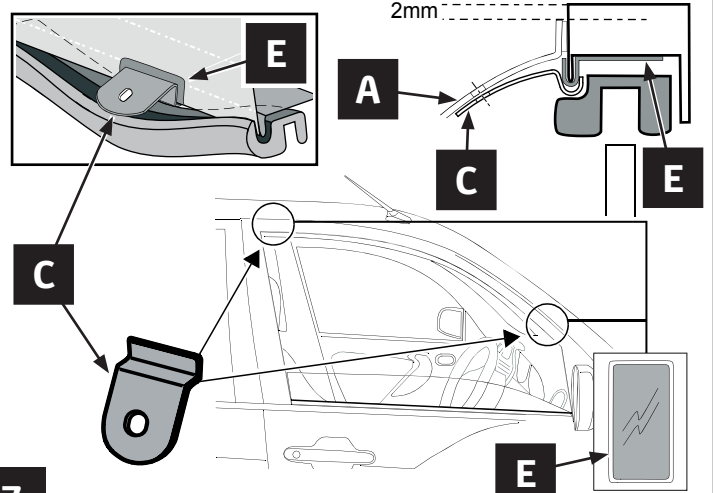
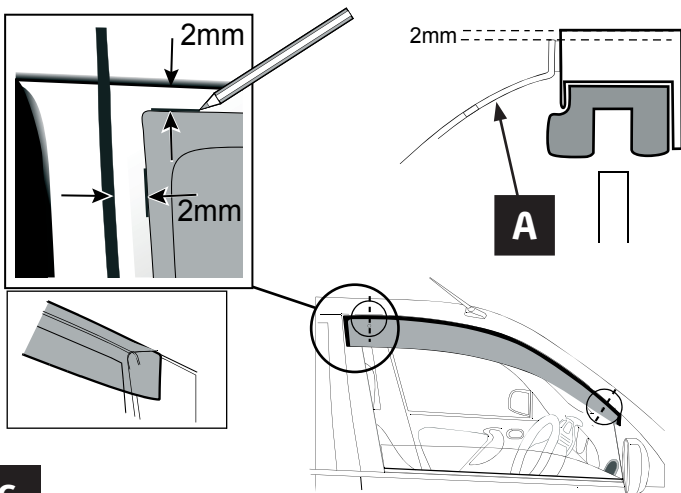
2

3



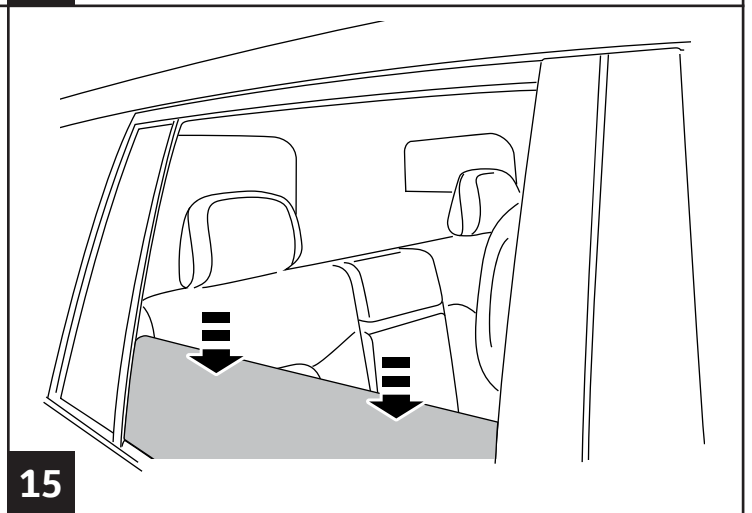
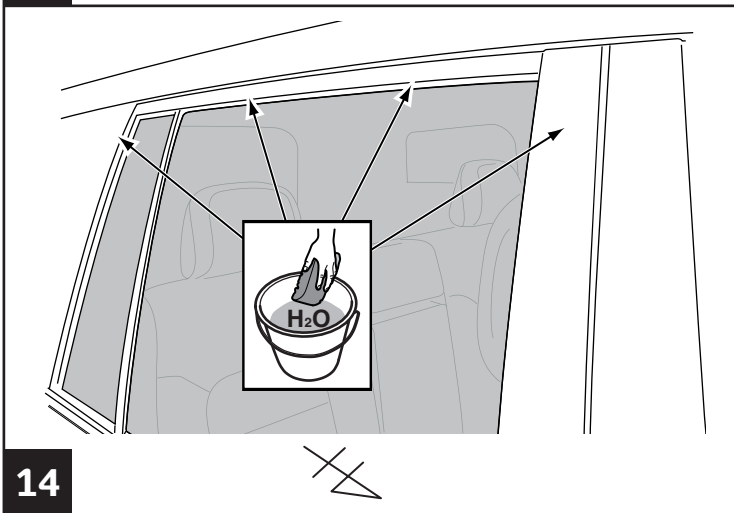
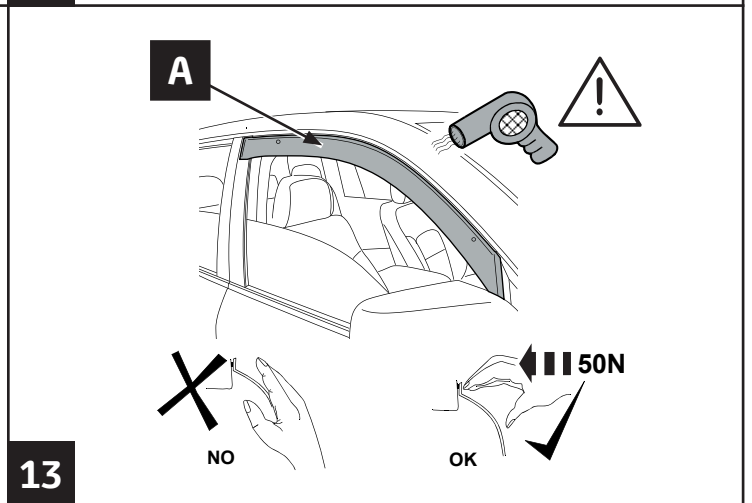
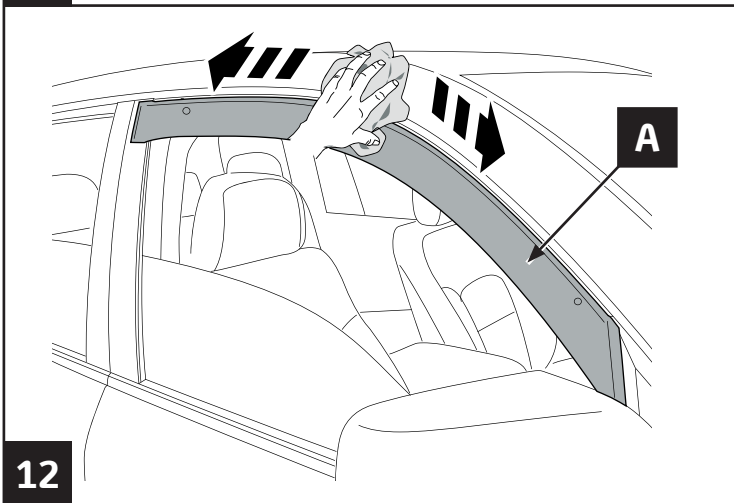
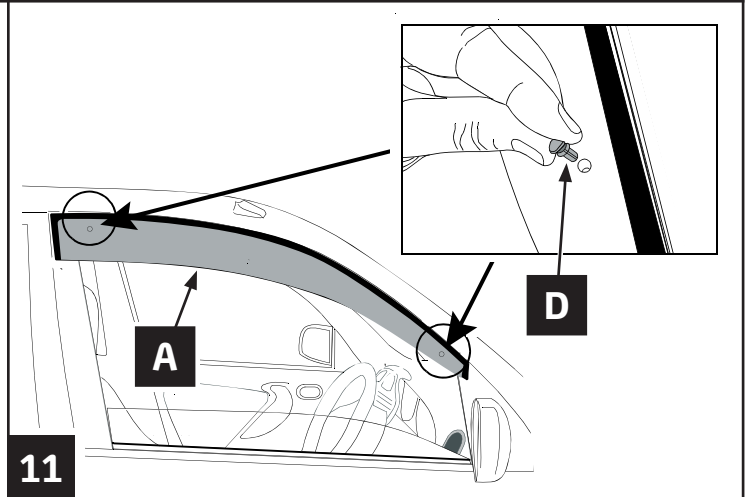
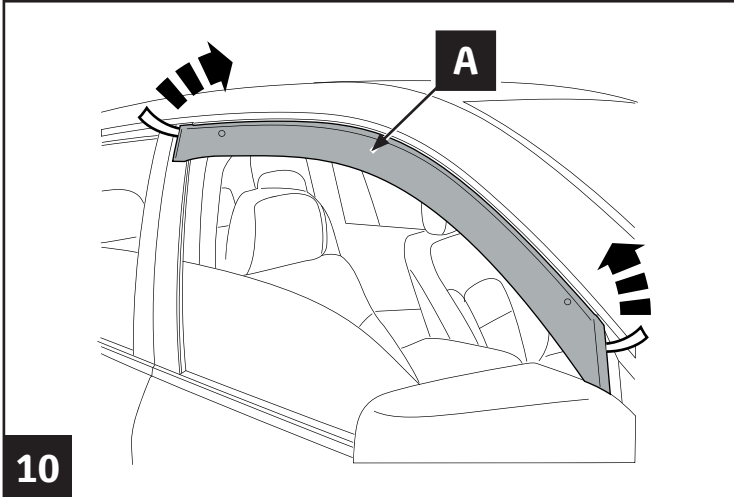
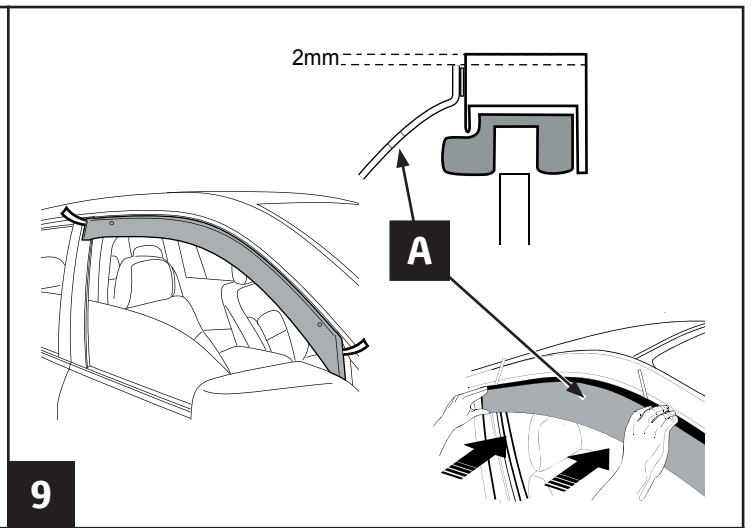
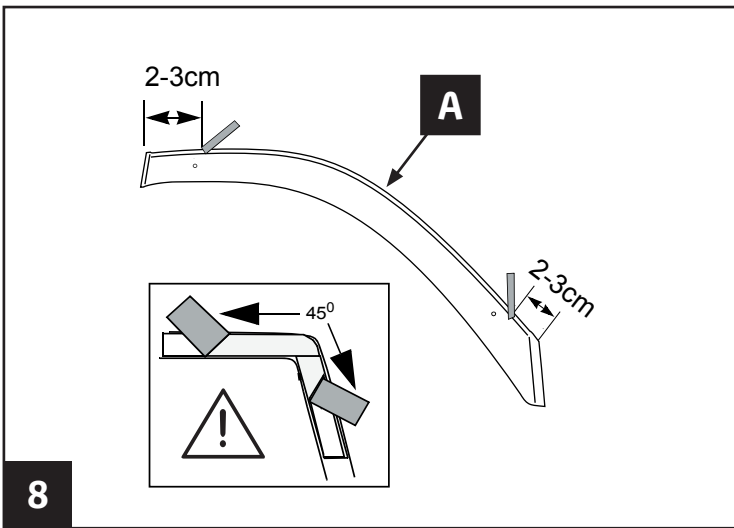
4

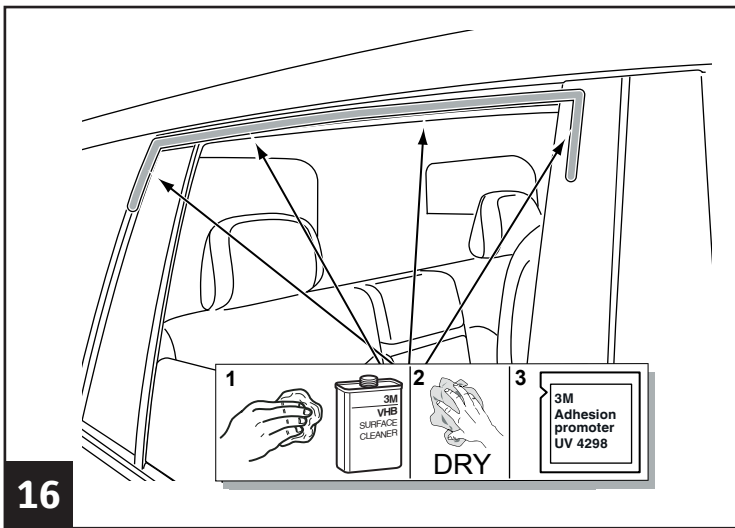
5



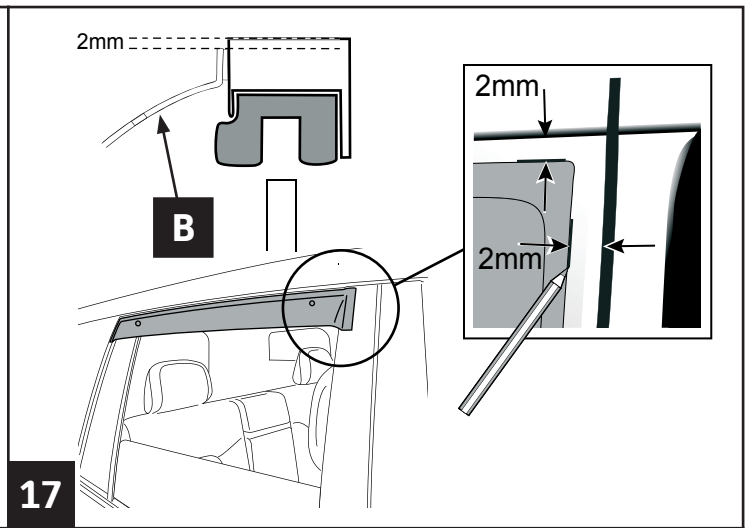
6

7

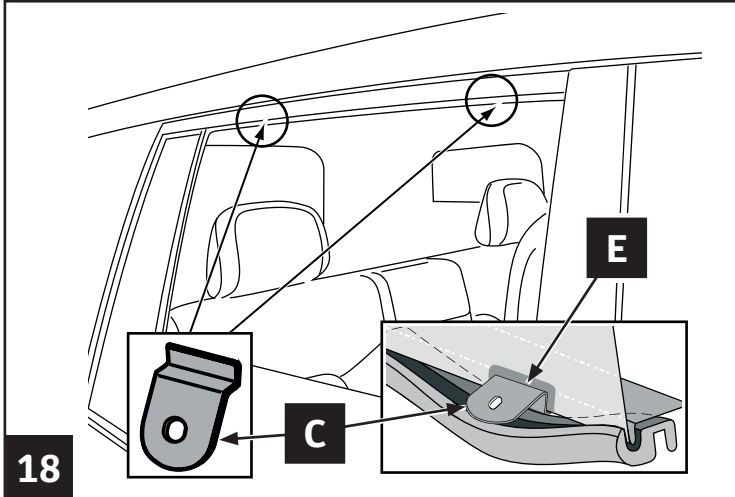




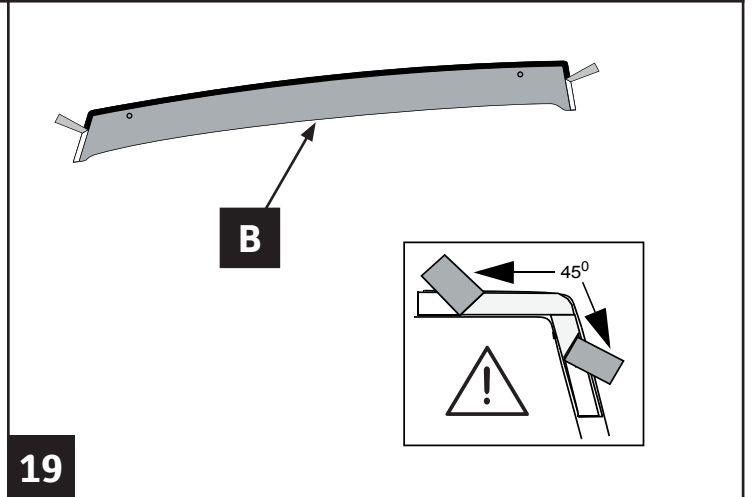
16



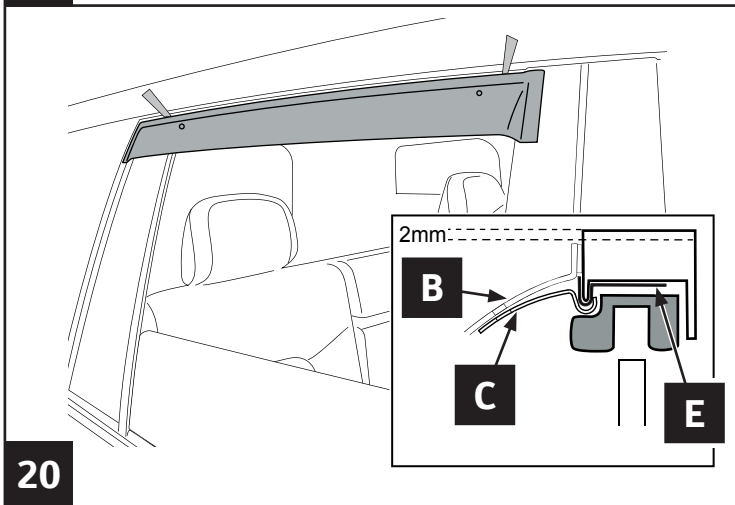
17



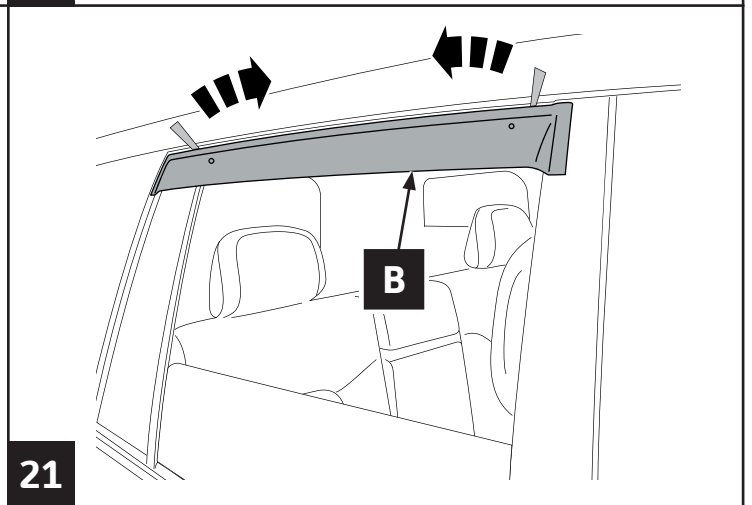
18



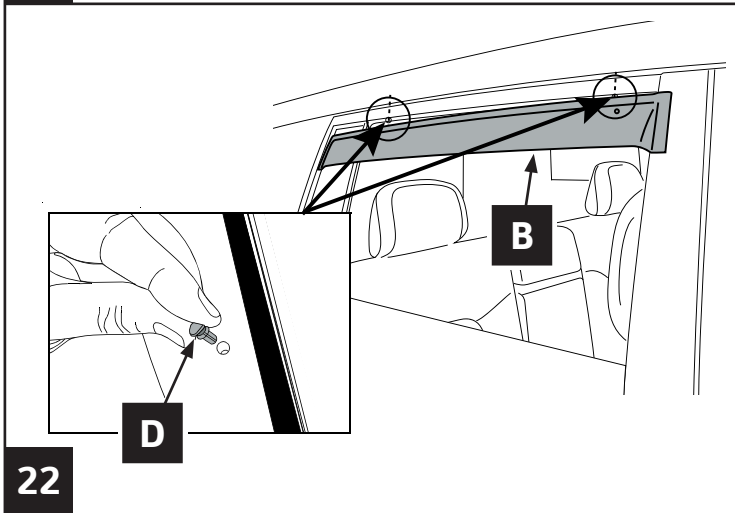
19



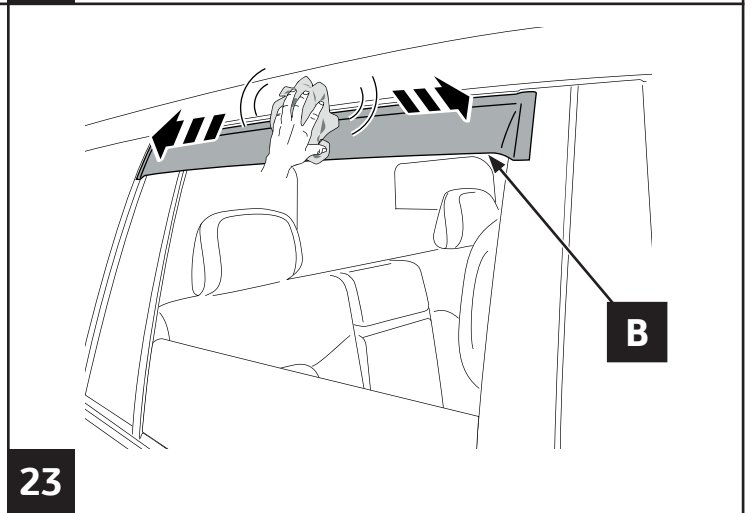
20



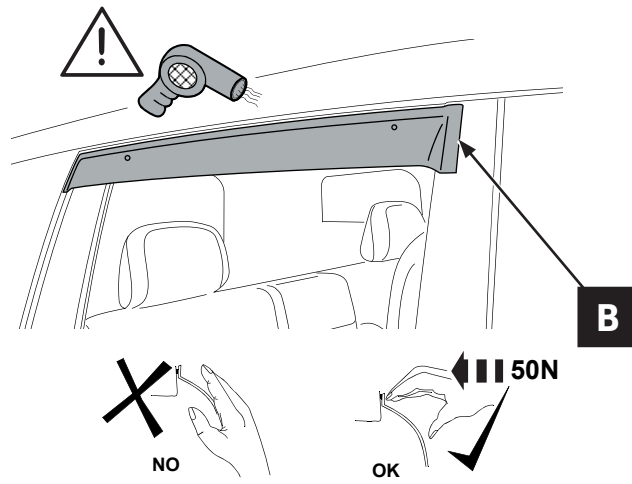
21



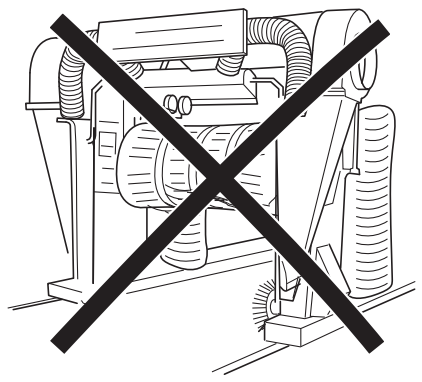
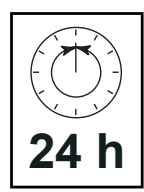
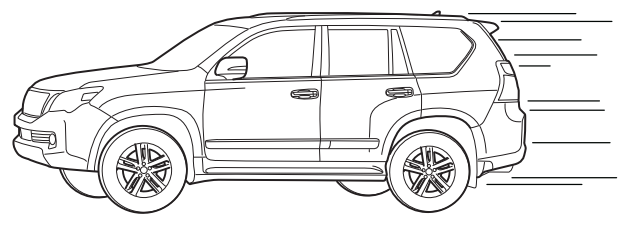
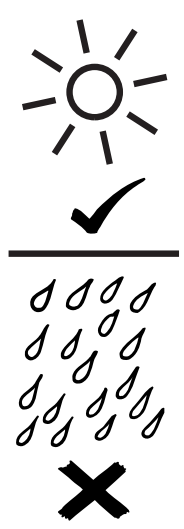
22



23



24



25



**TOYOTA**

# CHECK SHEET


Model / Year

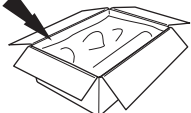
Land Cruiser  
2009/09, 2013/08


Wind deflectors

VIN n°

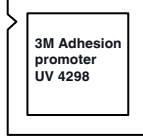
ALWAYS A  
BETTER WAY

 **P/N = OK**

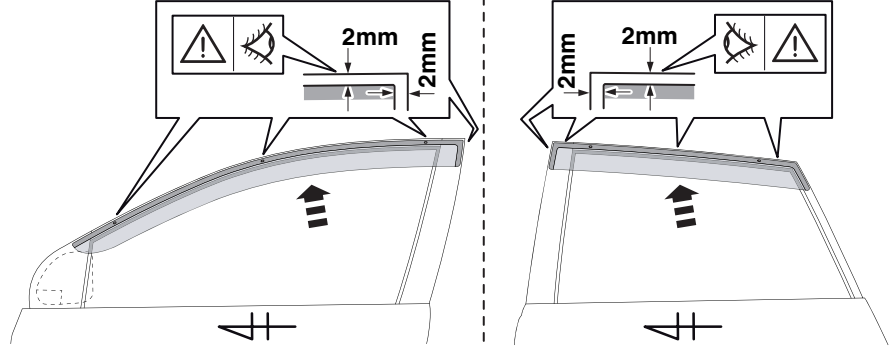
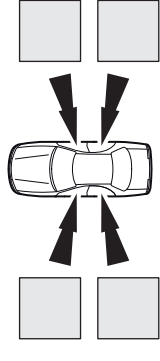
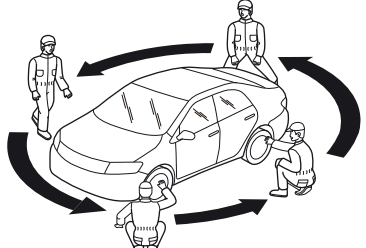





40°C 

18°C

 3M Adhesion promoter UV 4298

**3M Adhesion promoter UV 4298**

  = OK

**Installation Date:**

.. / .. / ..

**Technician Name & Signature:**

**Stamp:**