



**TOYOTA**

ALWAYS A  
**BETTER WAY**

# Corolla

## Mudflaps

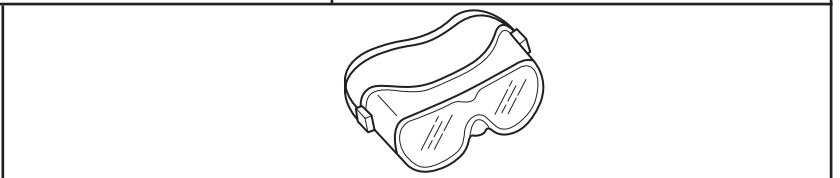
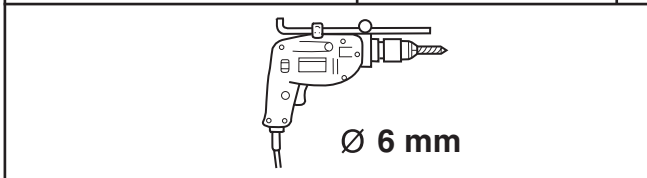
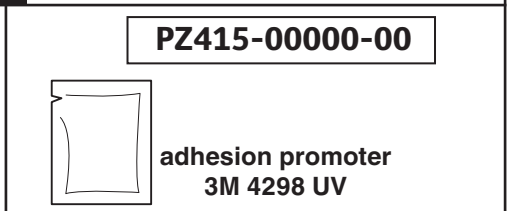
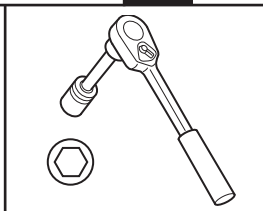
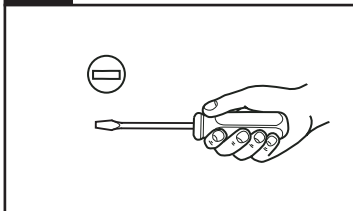
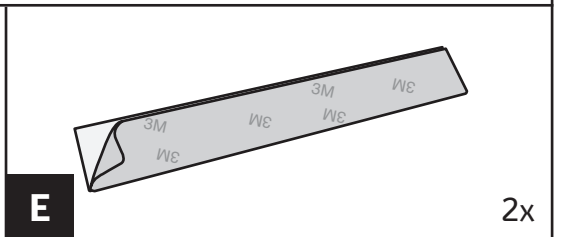
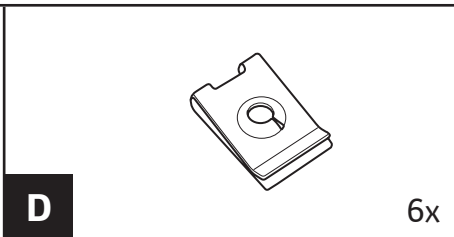
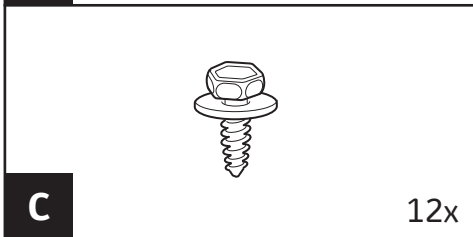
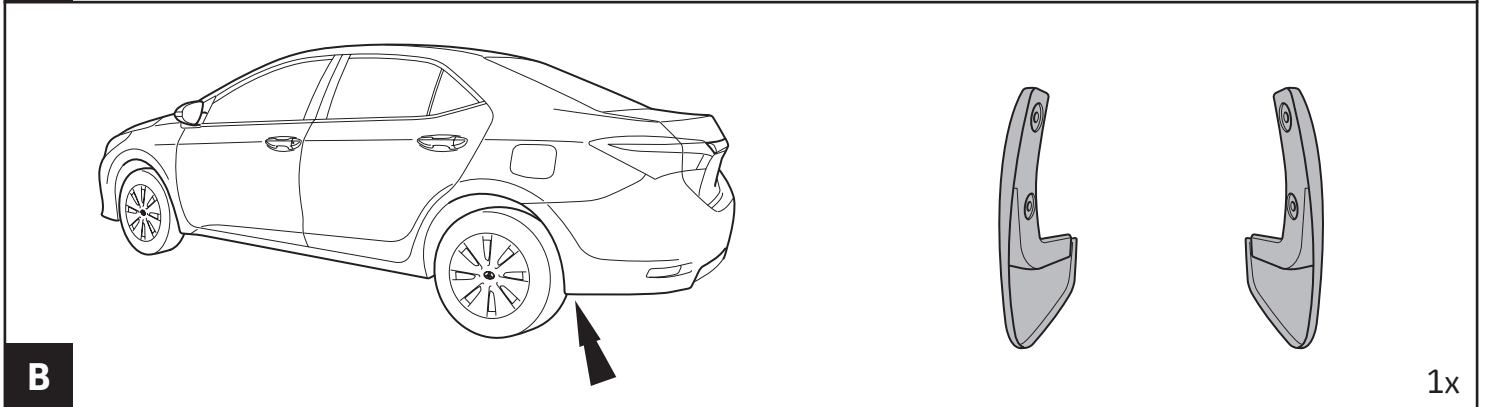
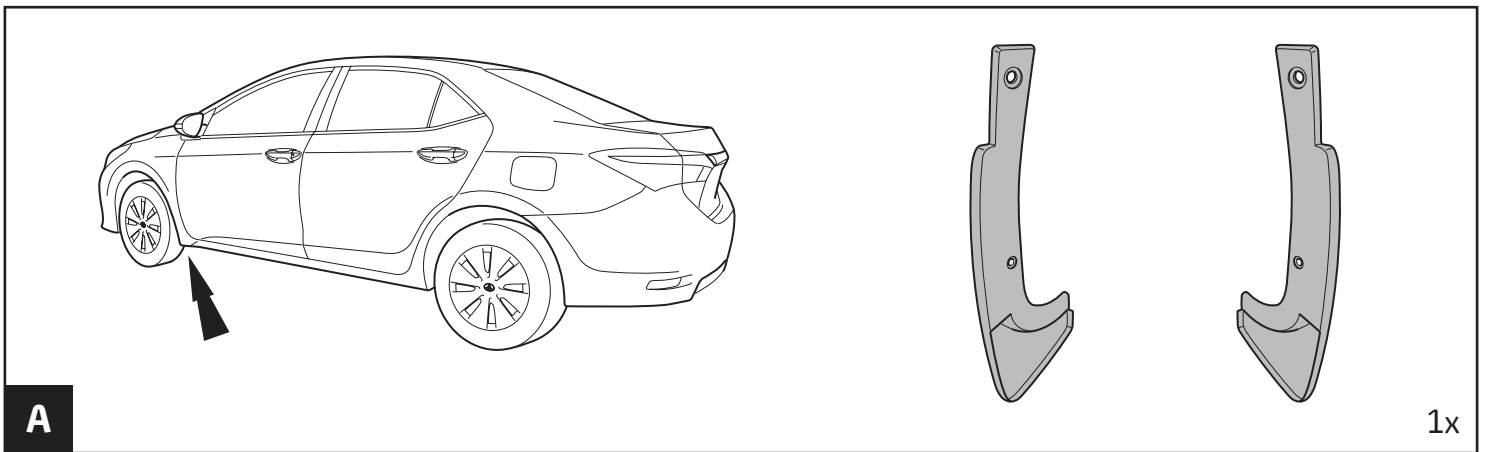
Installation Instructions

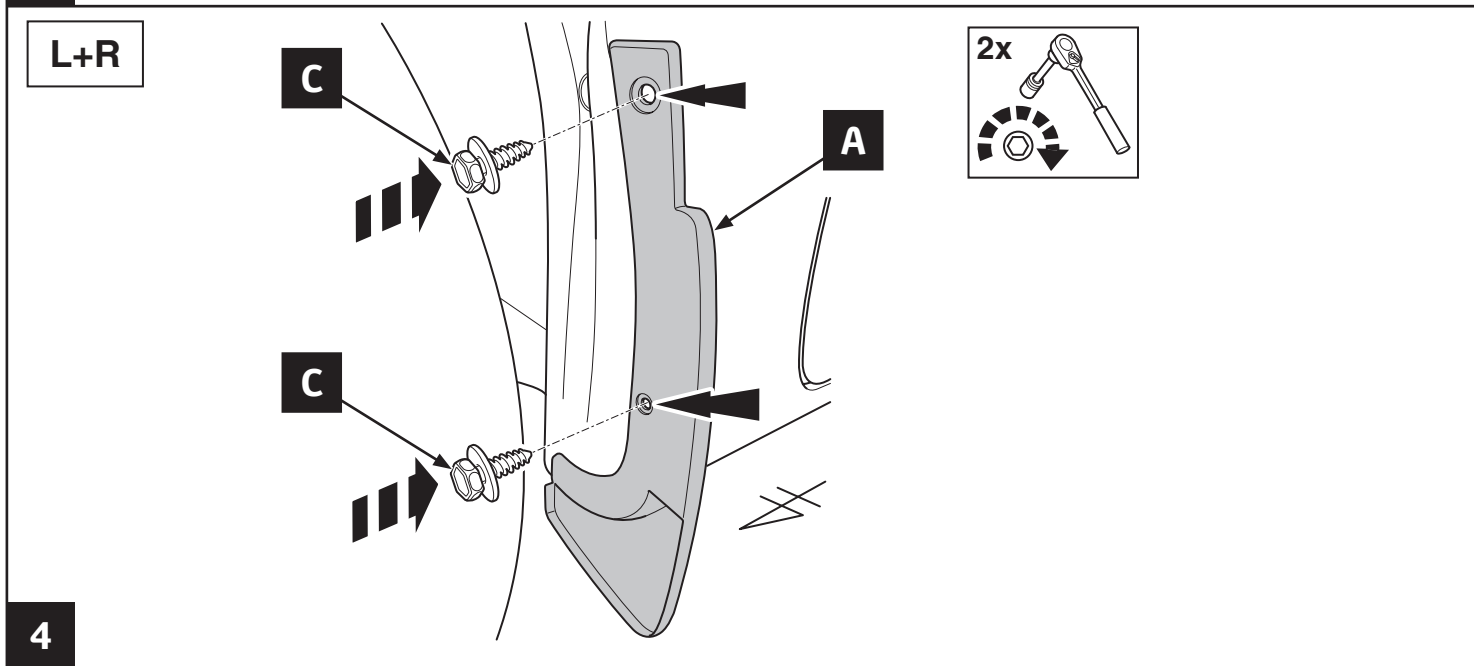
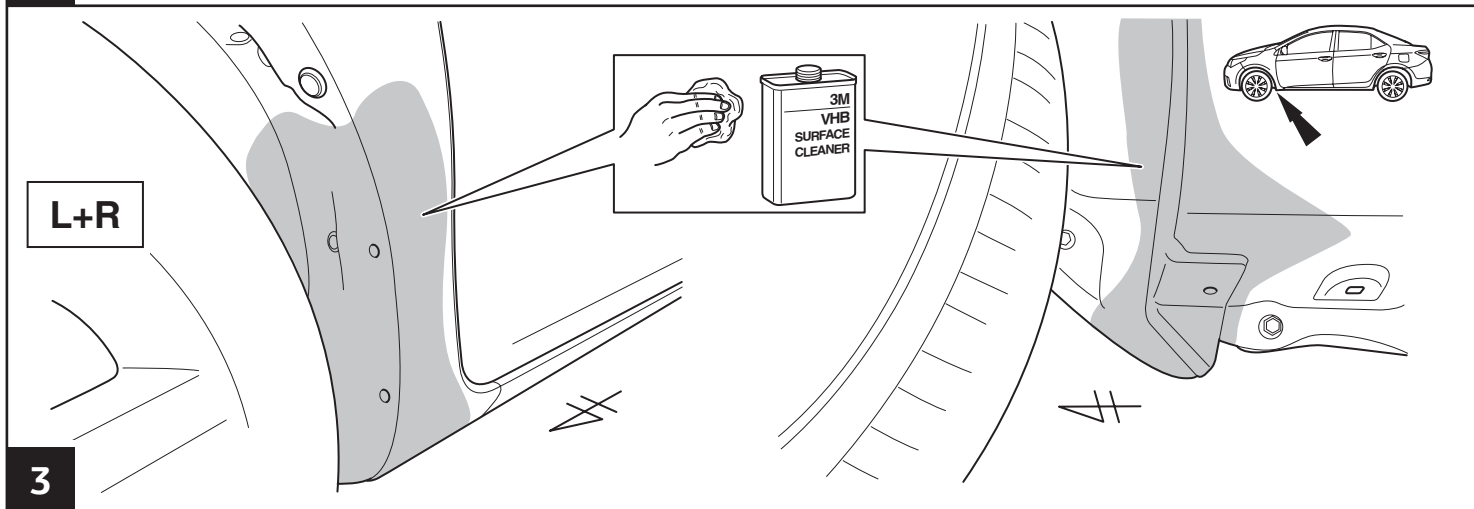
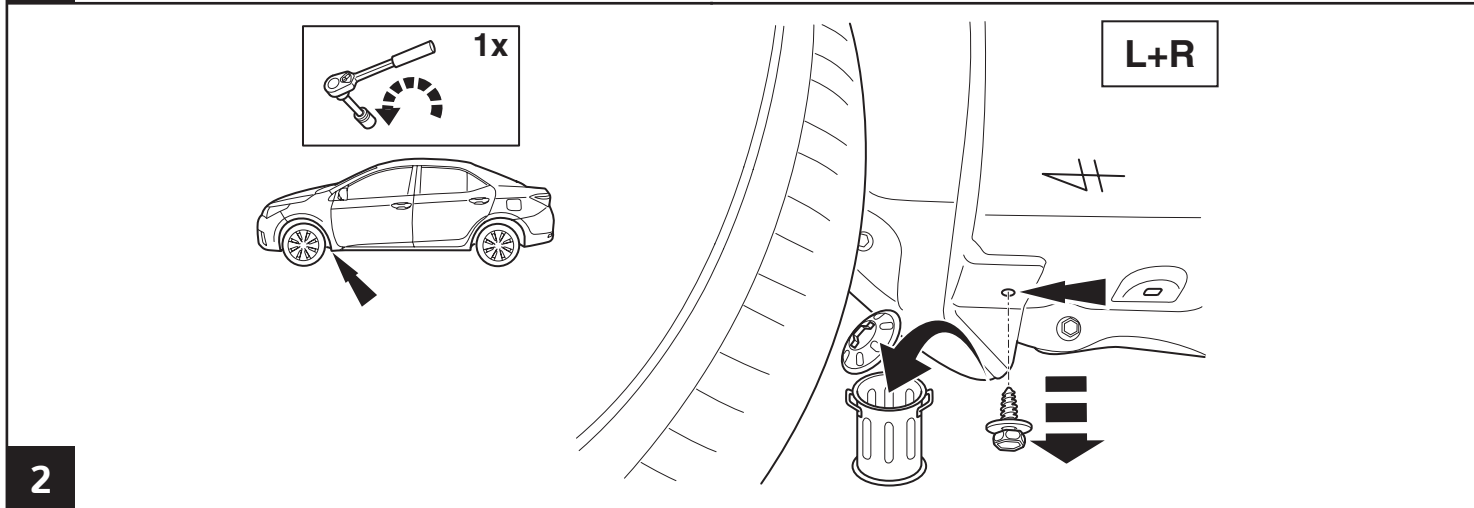
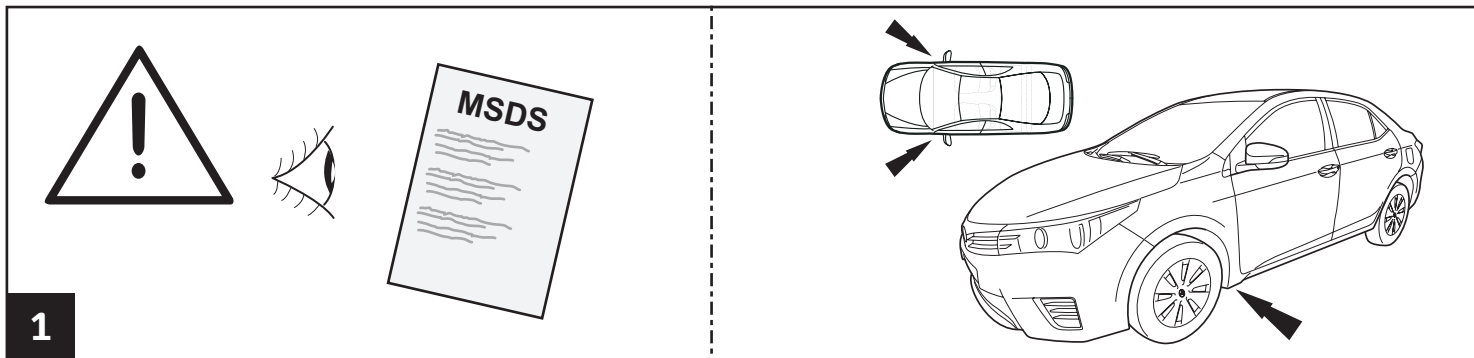
Model year: 2013/06  
Vehicle code: \*\*E18\*\*-DE\*\*\*W  
Part number: PZ49U-E3960-00

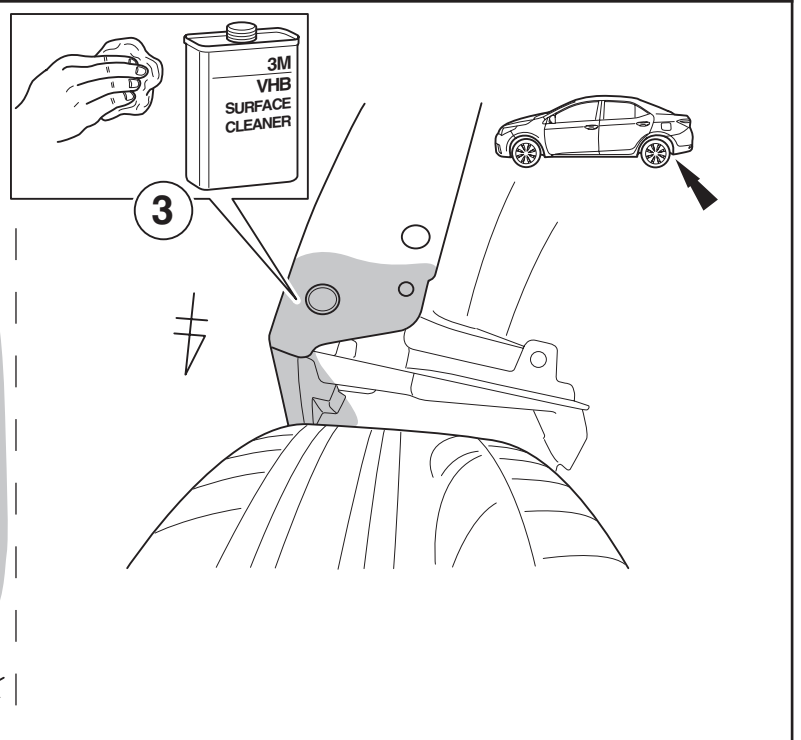
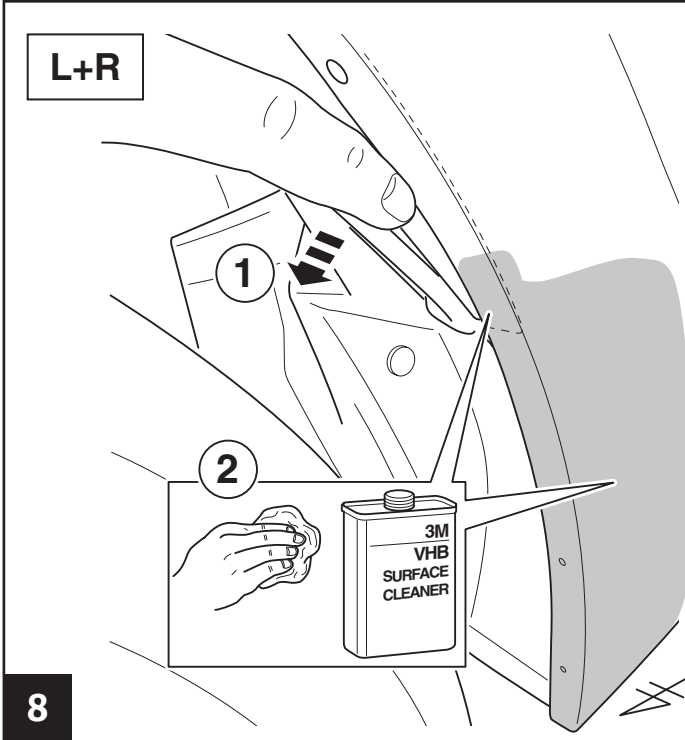
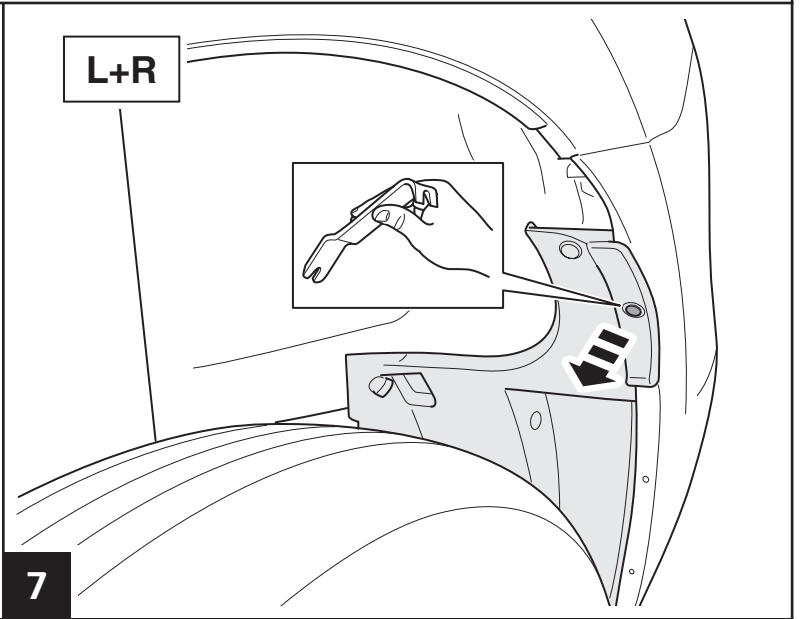
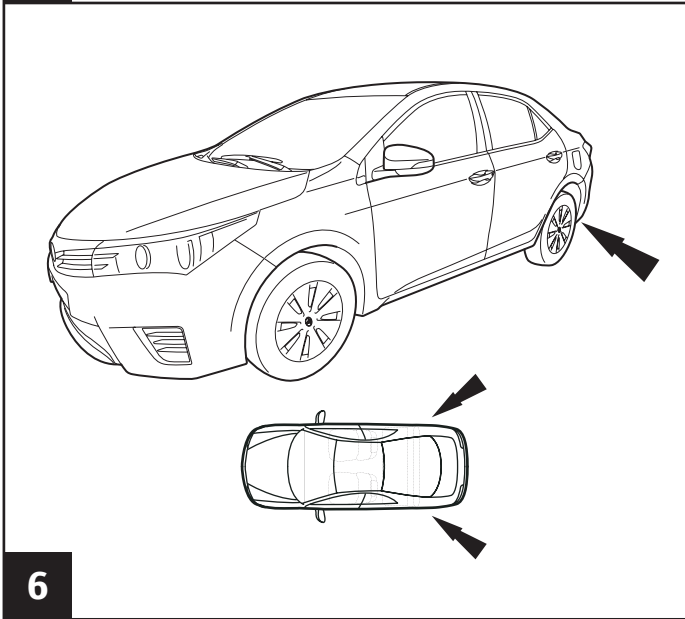
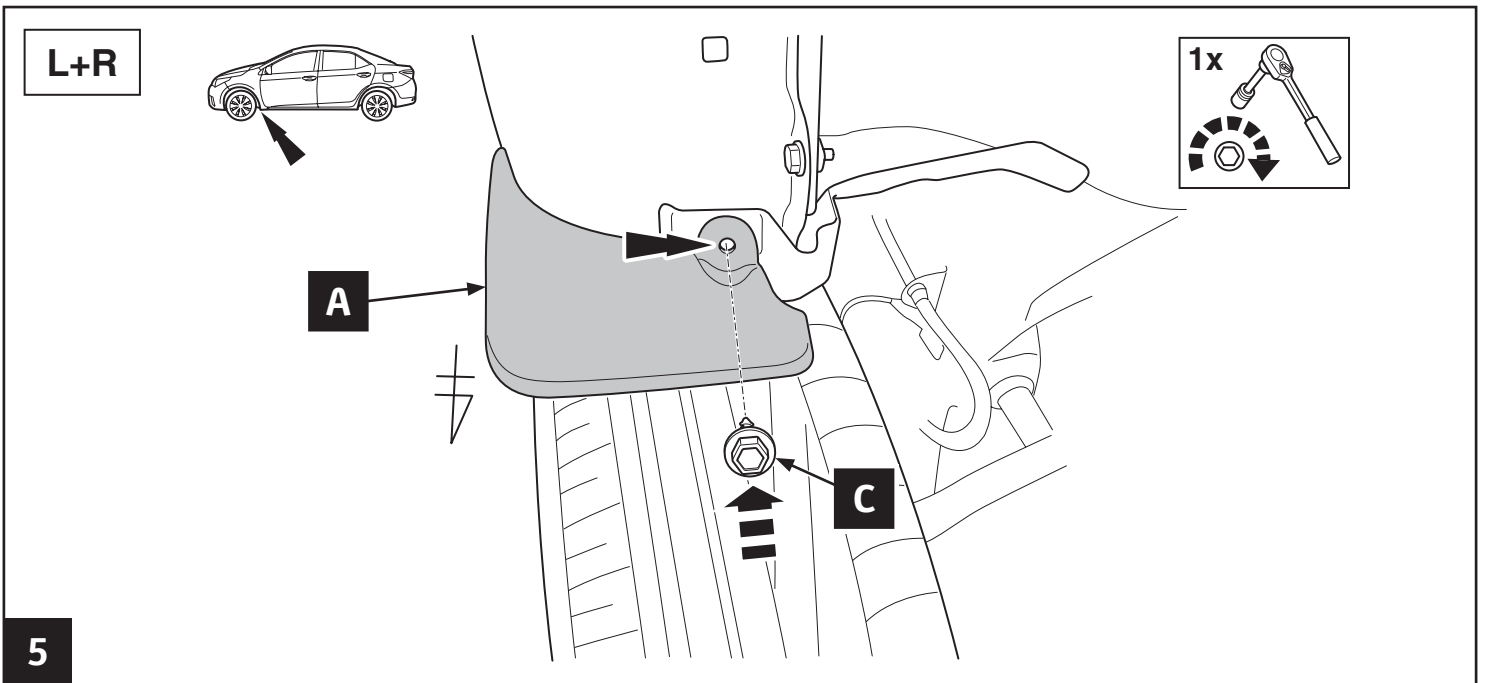
Manual reference number: AIM 002 922-0

# Revision record

Rev. No.	Date	Page	Picture	Update	New	Deleted steps

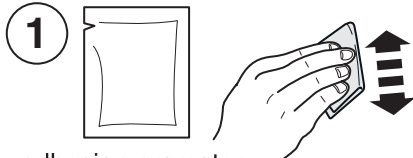







L+R

**1**



adhesion promoter  
3M 4298 UV

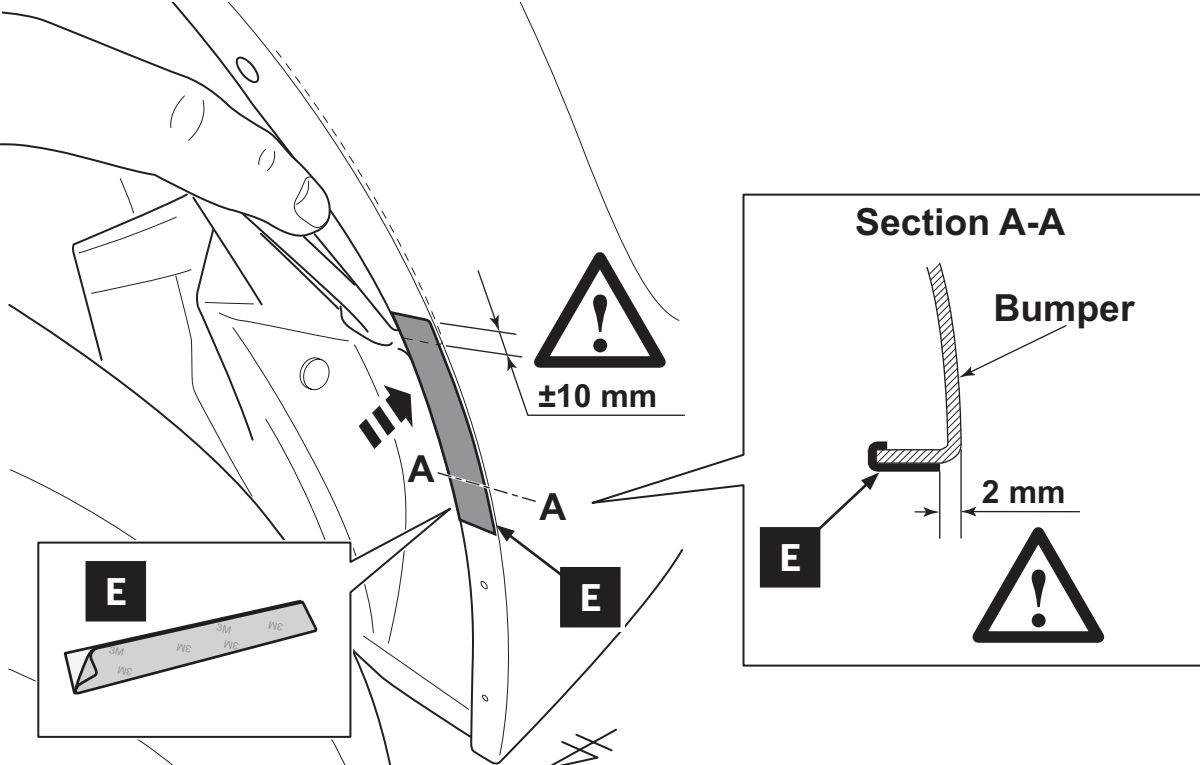
**2**



> 1.5 min.  
< 1 h.

9

L+R



**Section A-A**

Bumper

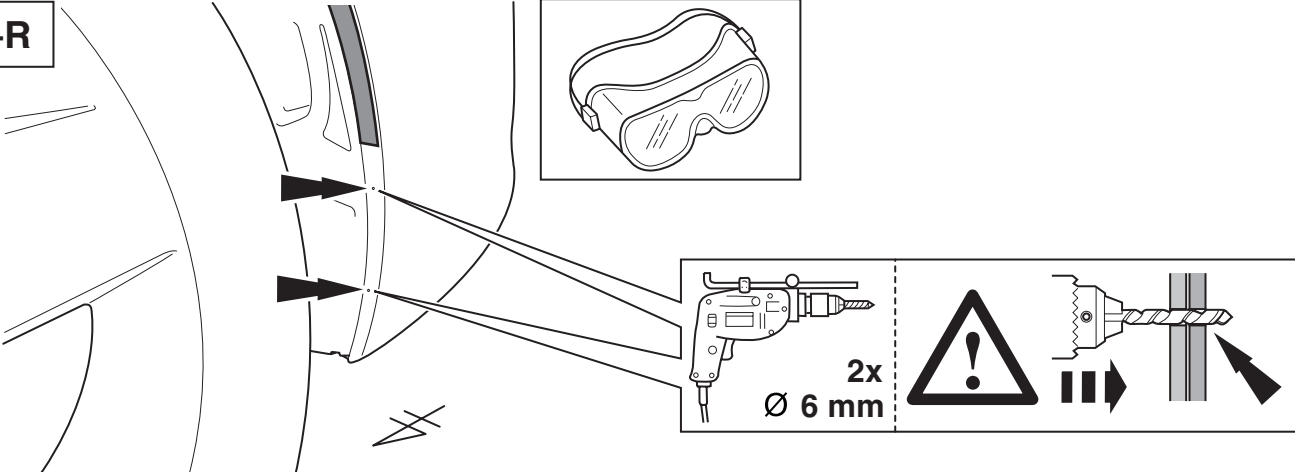
±10 mm

2 mm

**E**

10

L+R

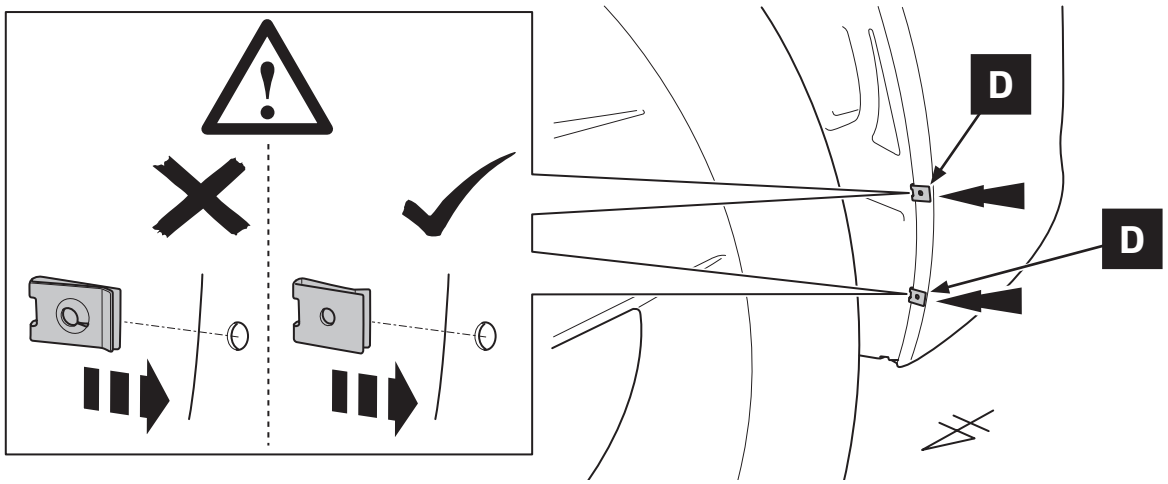


**E**

2x  
Ø 6 mm

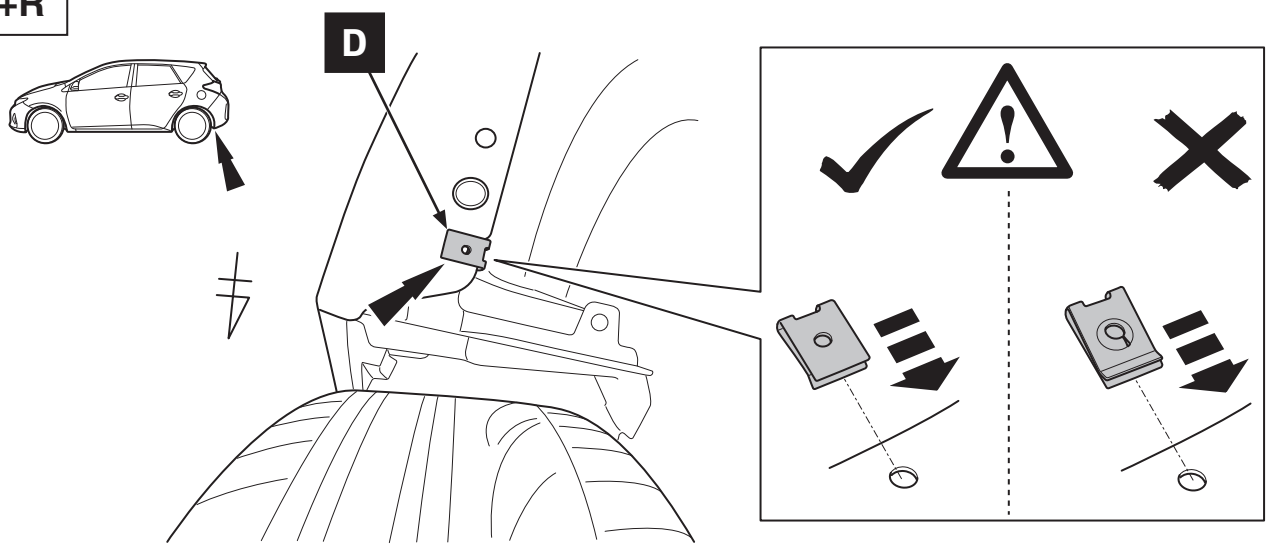
11

L+R



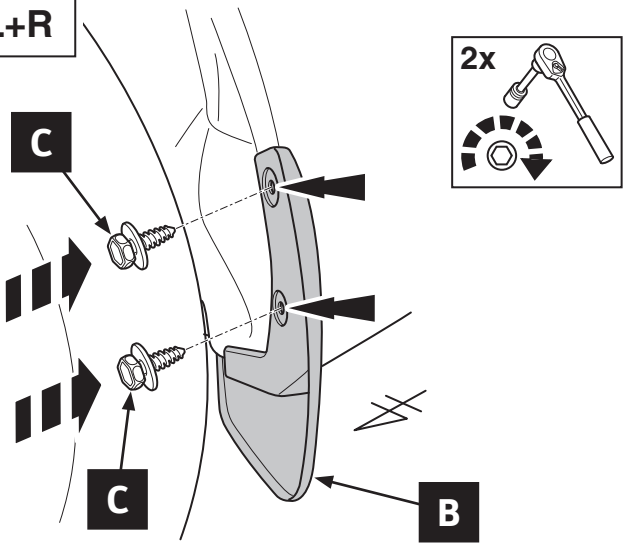
12

L+R



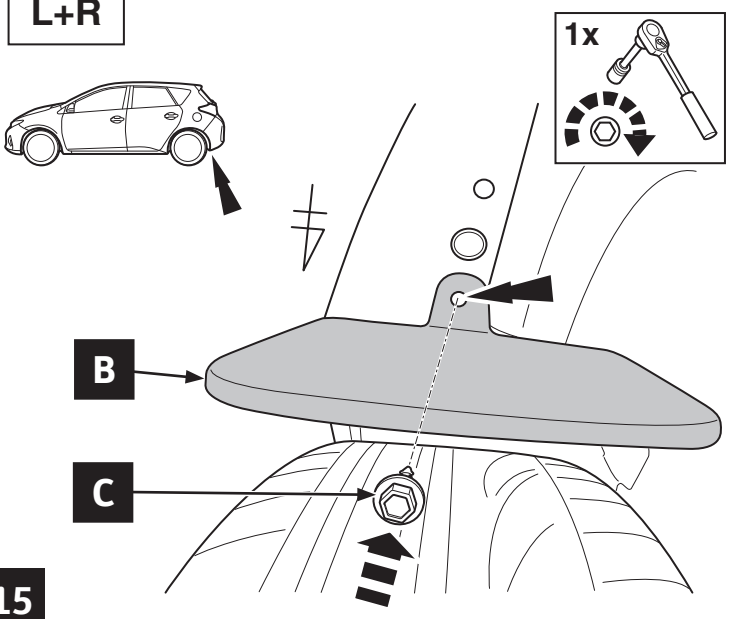
13

L+R



14

L+R



15

# CHECK SHEET



**TOYOTA**

ALWAYS A BETTER WAY

Model / Year **Corolla 2013/06**

**Mud Flaps - Front & Rear**

VIN n°

**P/N = OK**

**3M adhesion promoter  
4298 UV**

**±10 mm**

**Section A-A**

Bumper

**2 mm**

**LH = RH**

**LH = RH**

**= OK**

**Installation Date:**  
 . . / . . / . . . .

**Technician Name & Signature:**

**Stamp:**

