



**TOYOTA**

ALWAYS A  
BETTER WAY

# Corolla

## Scuff Plates

Installation instructions

Model year: 2013/06

Vehicle code: \*\*E18\*\*-DE\*\*\*W

Part number: PZ438-E3183-00

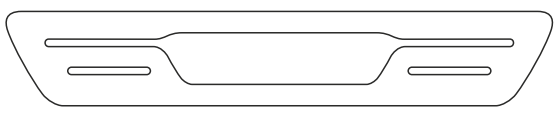
Manual reference number: AIM 002 853-0

# Revision Record

Rev. No.	Date	Page	Picture	Update	New	Deleted steps



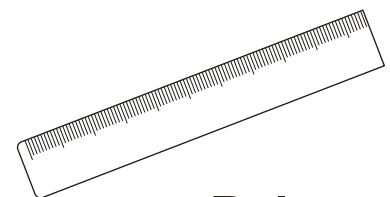
**FRONT**



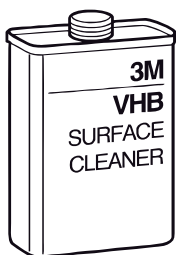
**REAR**

**A** PZ438-E3183-00

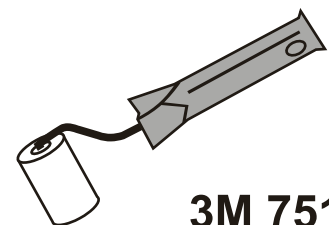
**2x**



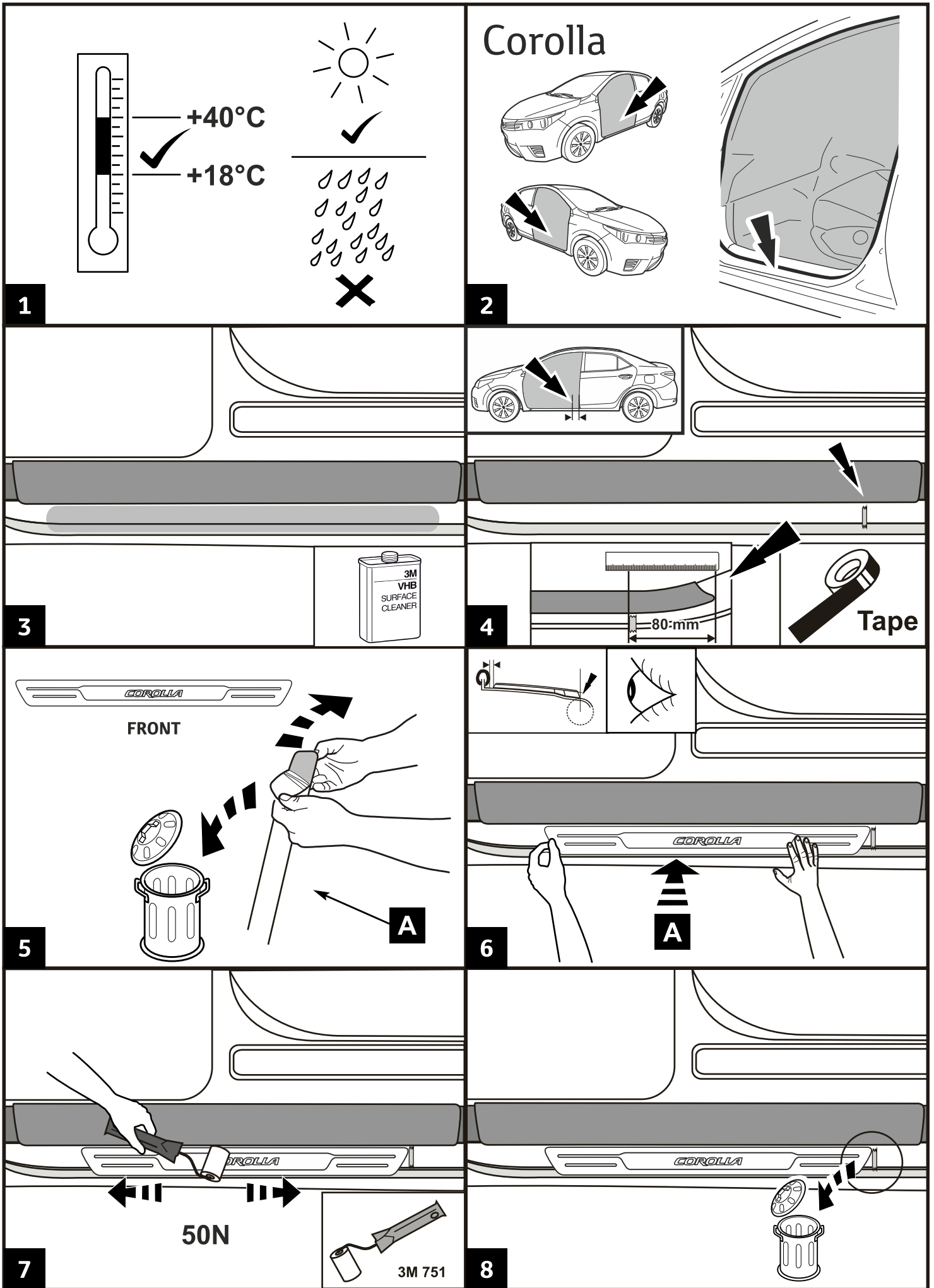
**Rule**

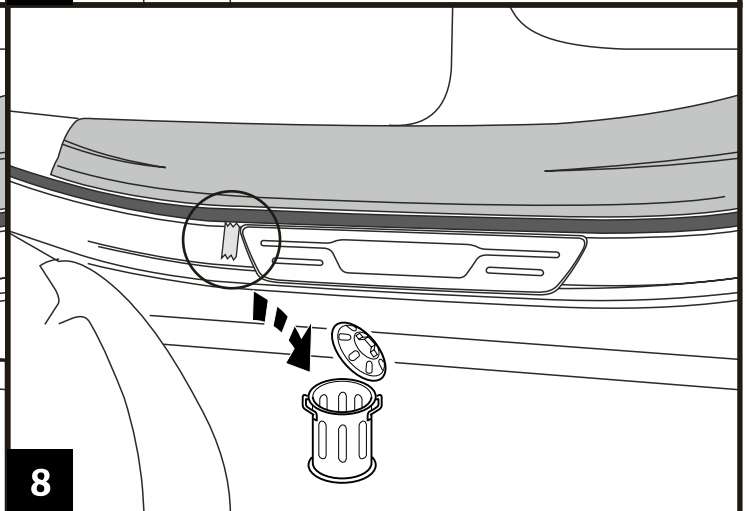
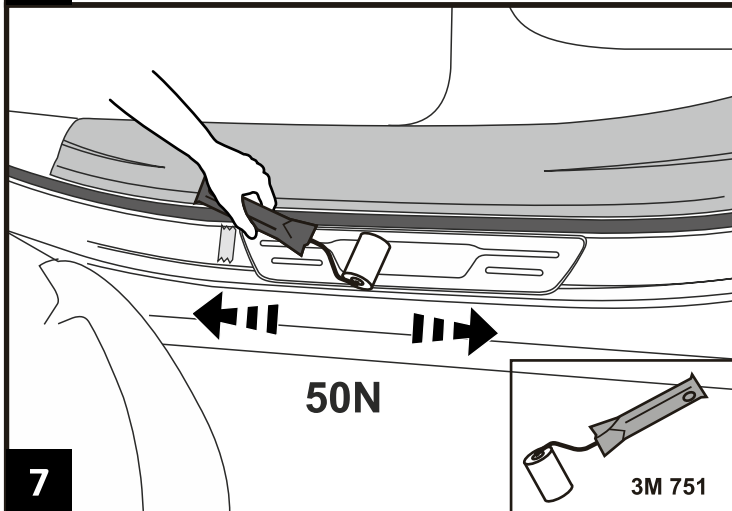
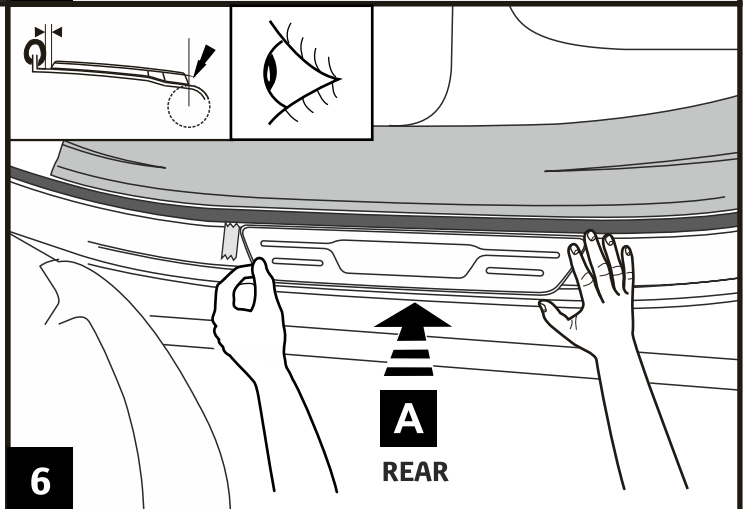
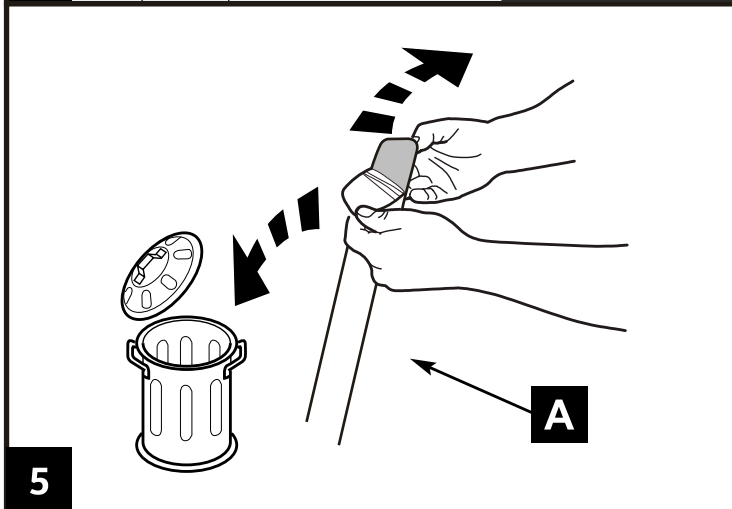
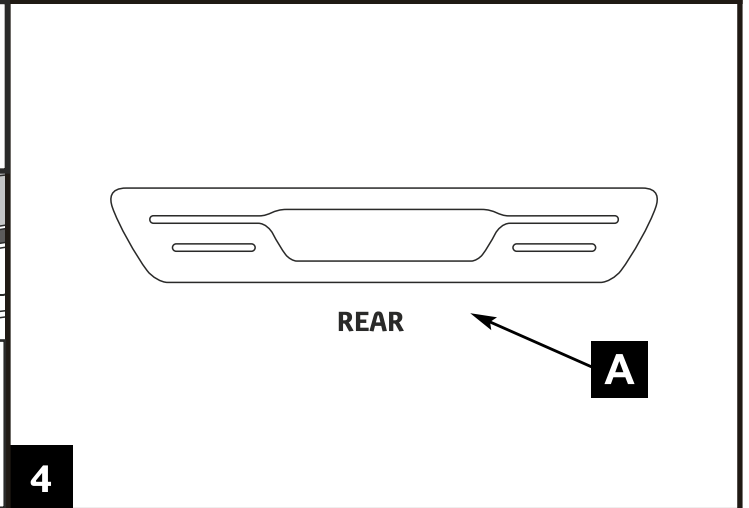
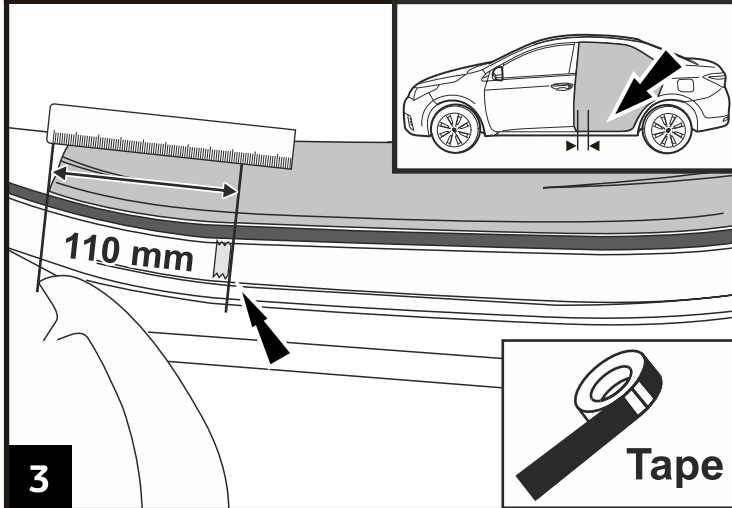
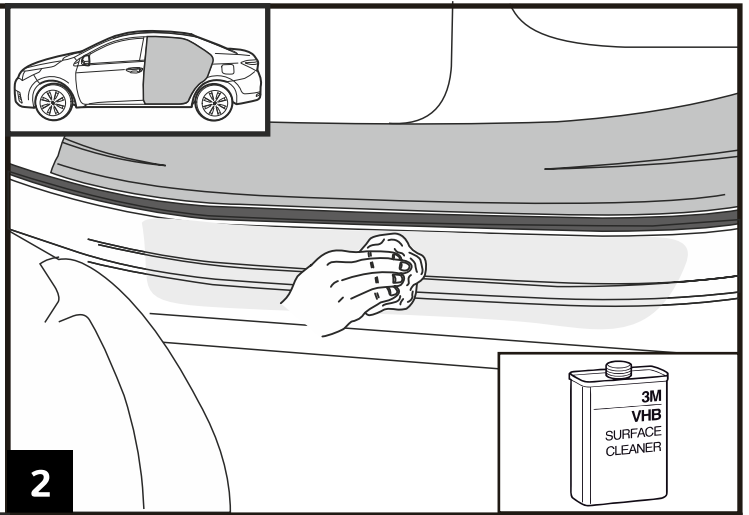
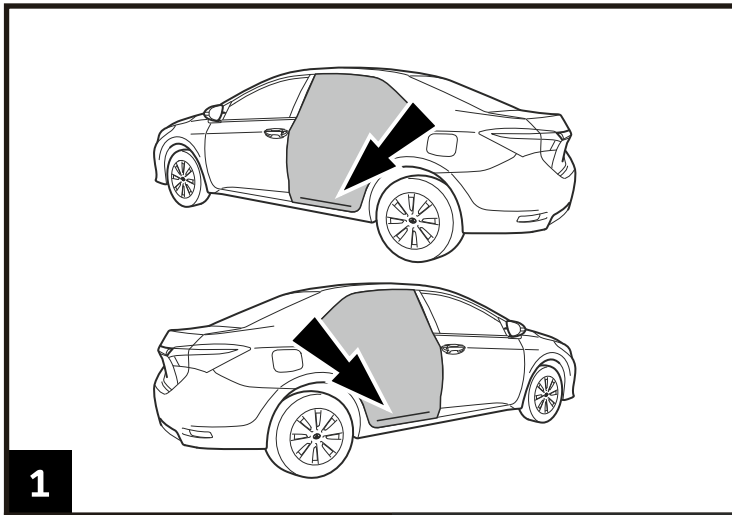


**Tape**



**3M 751**





# CHECK SHEET



Model / Year Corolla 2013/06 Scuff Plates

VIN n°

ALWAYS A BETTER WAY

**P/N = OK**

40°C  ↑

18°C  ↓

☀

☔

✖ **CLEANER**

---

---

**= OK**

**Installation Date:**

. . / . . / . . . .

**Technician Name & Signature:**

**Stamp:**

