



**TOYOTA**

ALWAYS A  
**BETTER WAY**

# Auris Touring Sports

## Rear Bumper Protection Plate

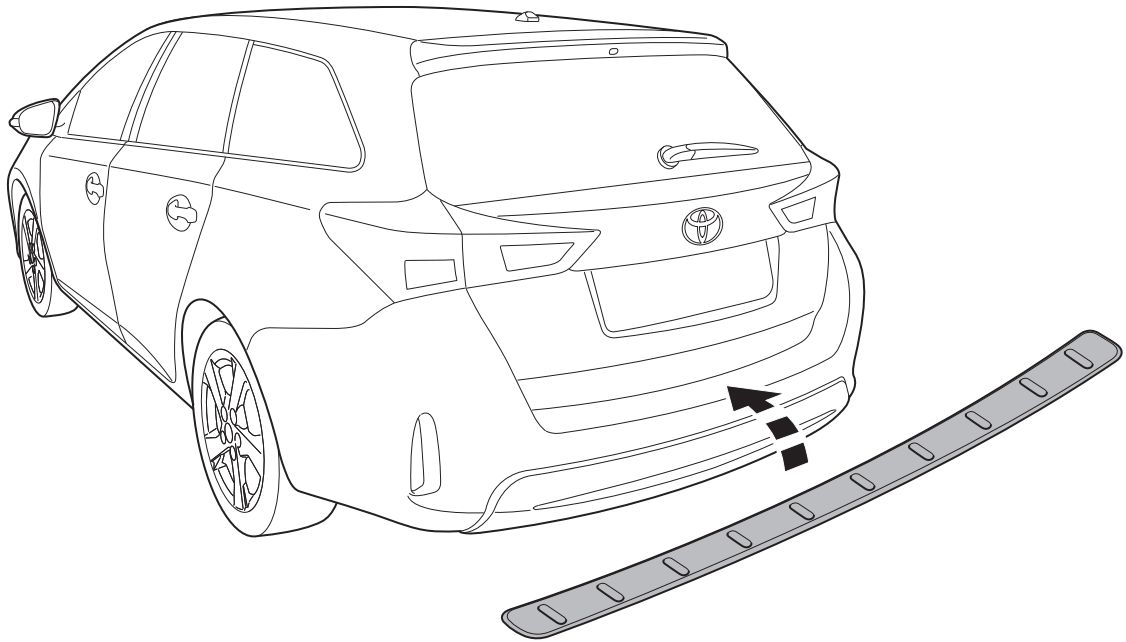
Installation Instructions

Model year:	2013/06
Vehicle code:	**E18**-DW***W
Part number:	PZ402-E5520-ZA PZ402-E5520-ZB

Manual reference number: AIM 002 868-0

# Revision record

Rev. No.	Date	Page	Picture	Update	New	Deleted steps



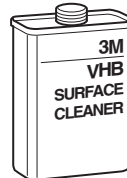
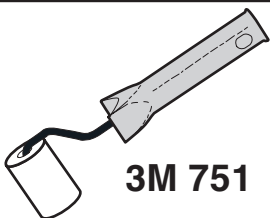
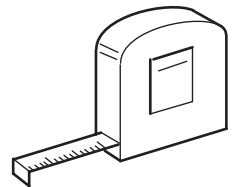
**A**

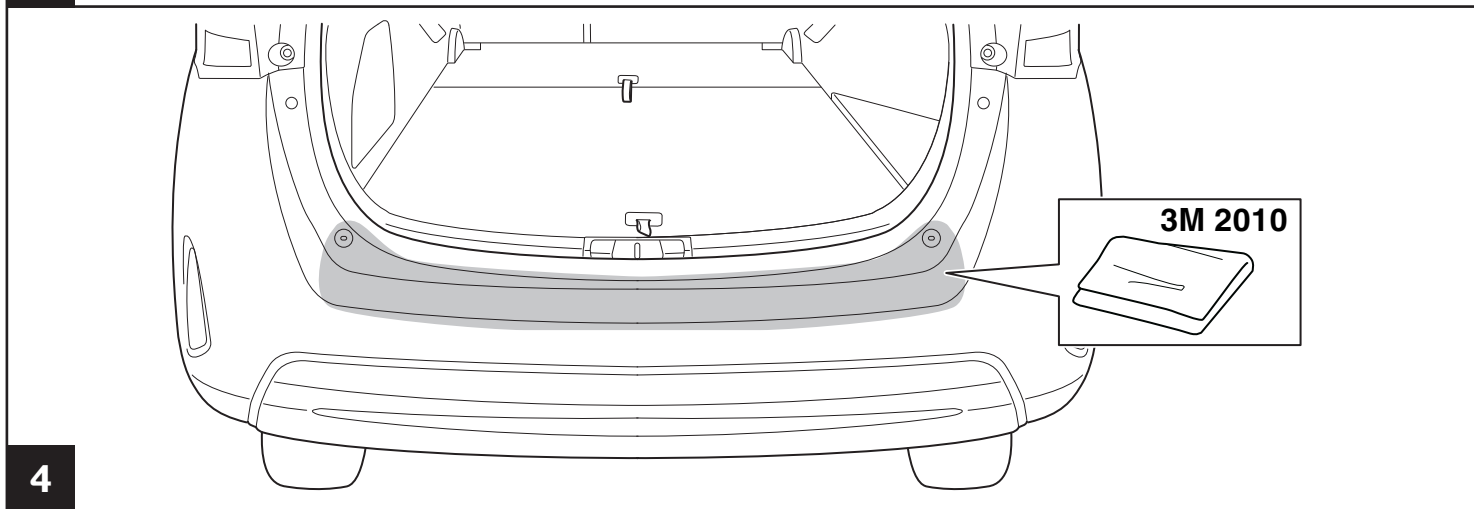
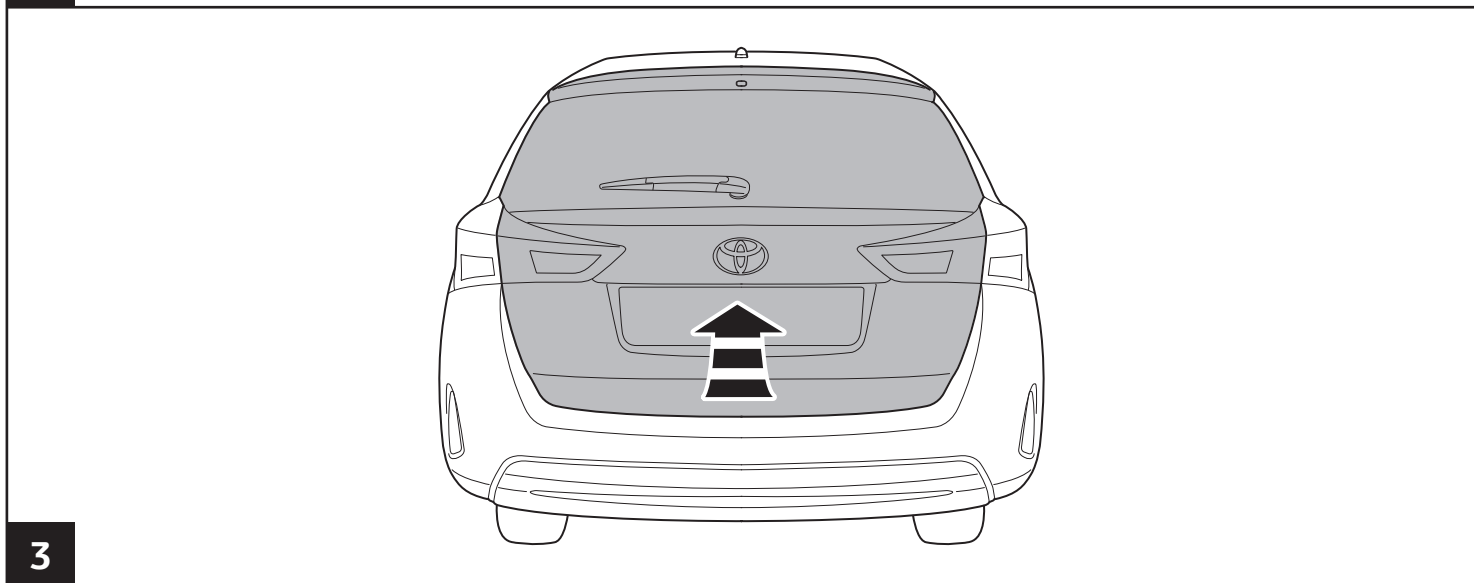
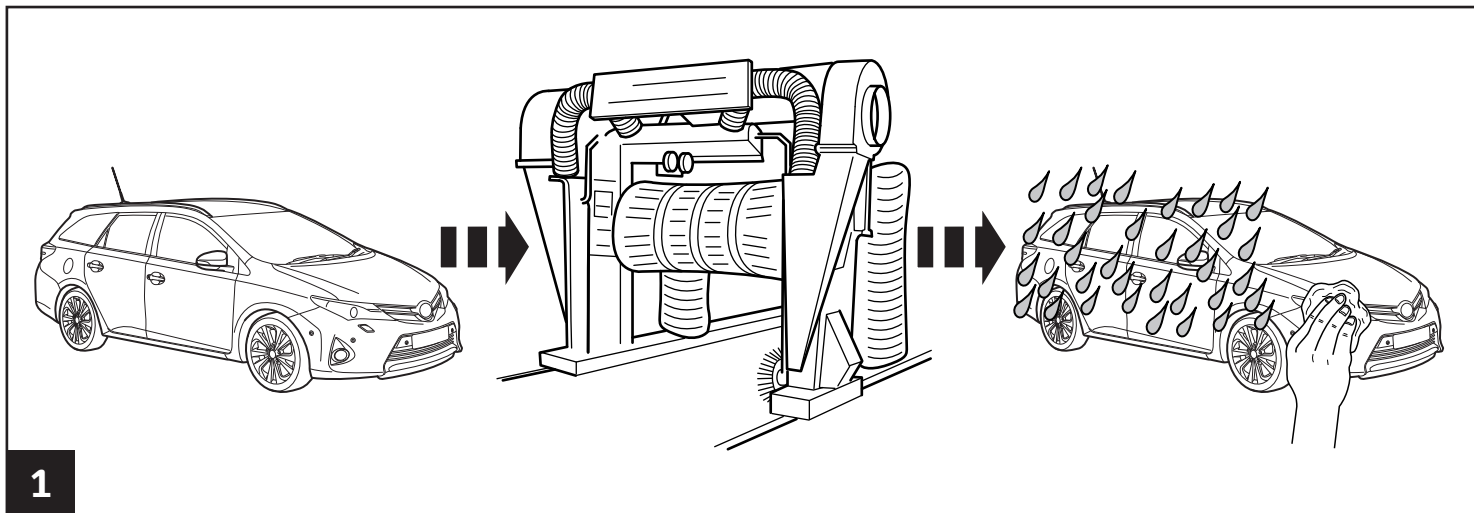
1x

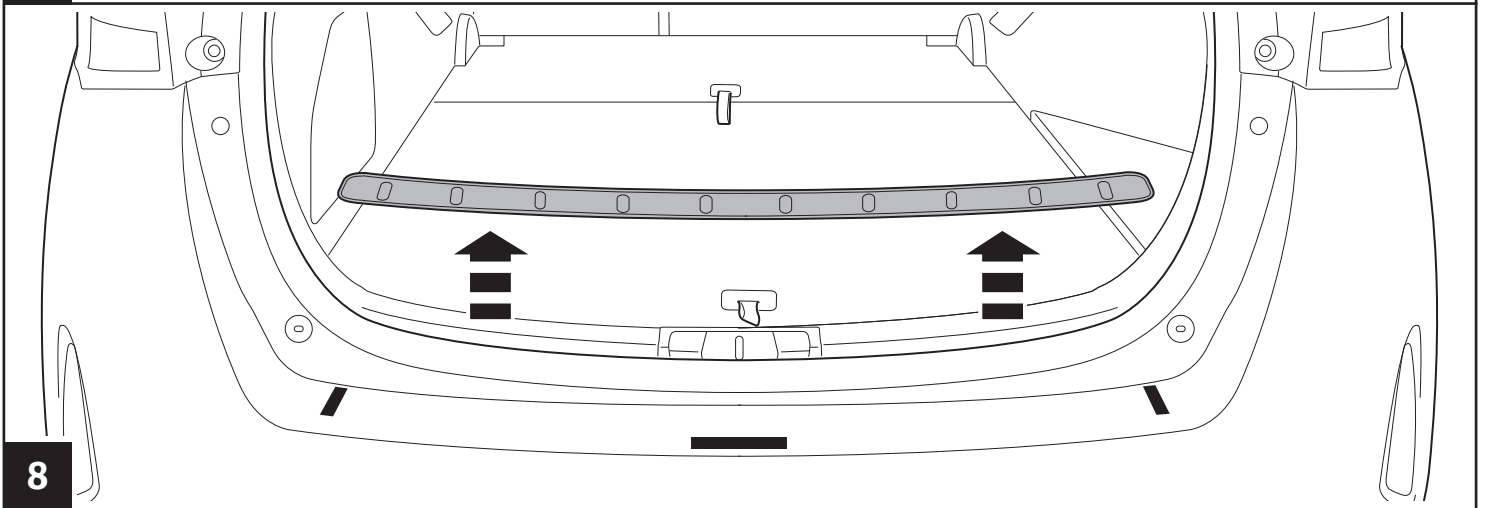
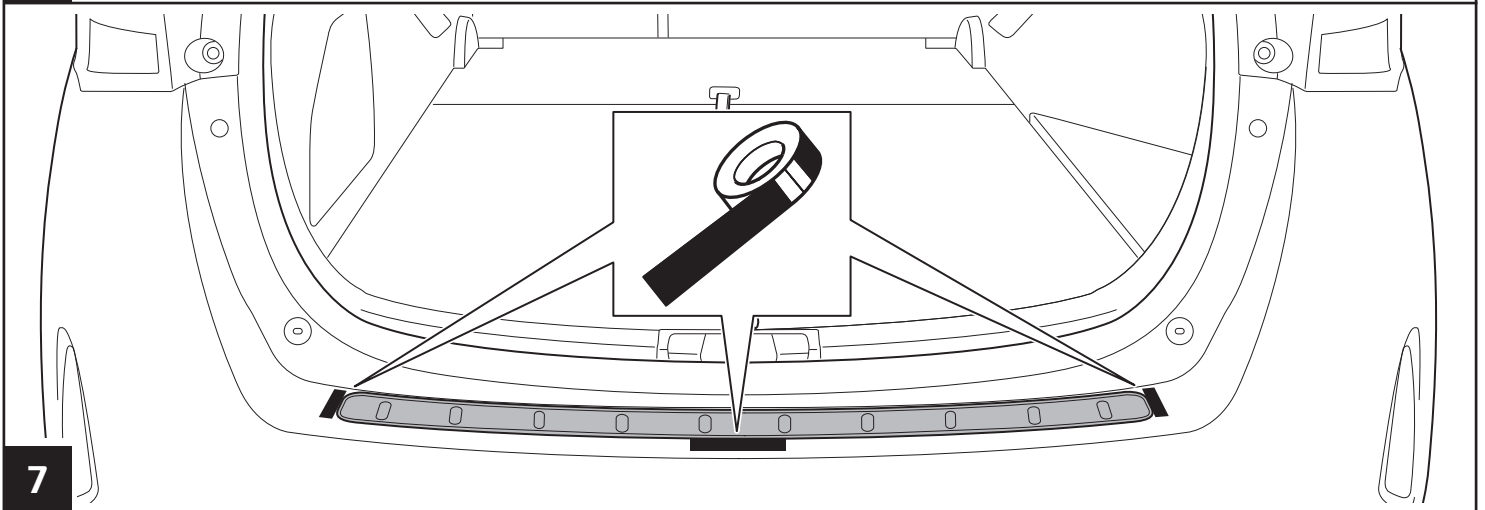
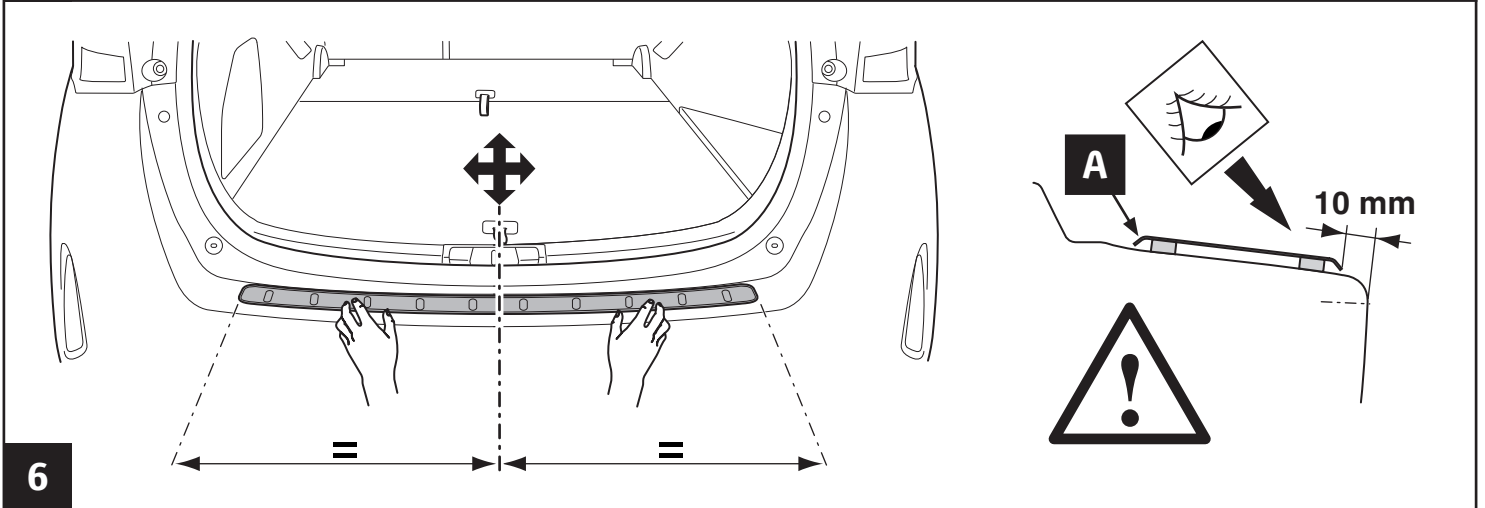
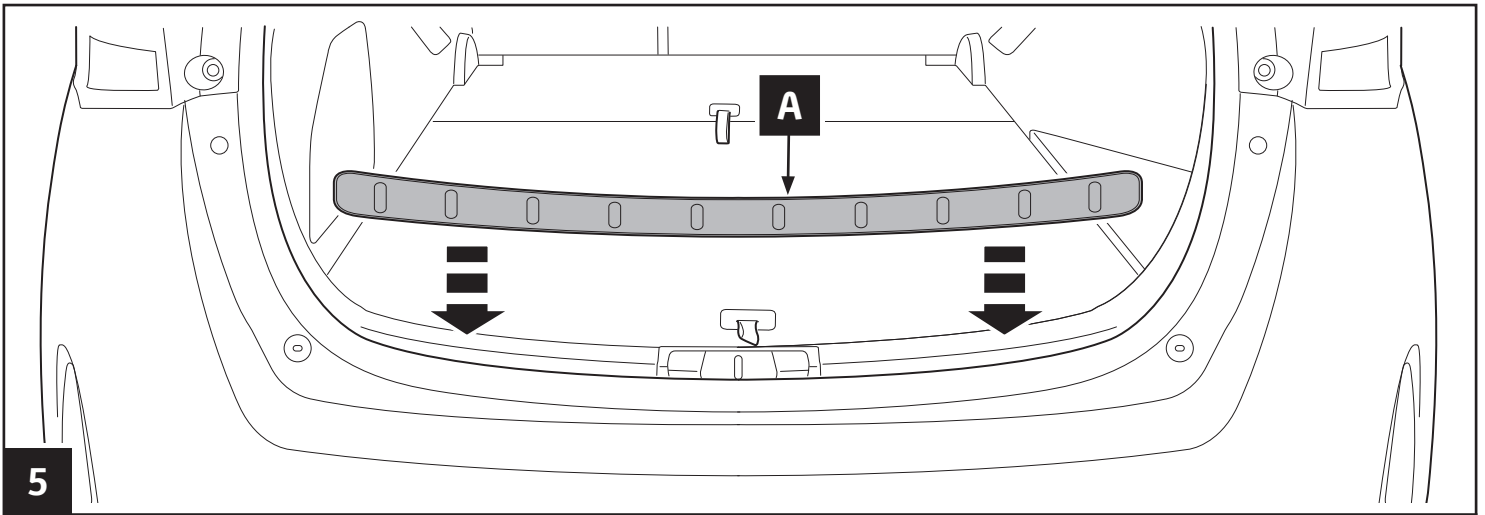


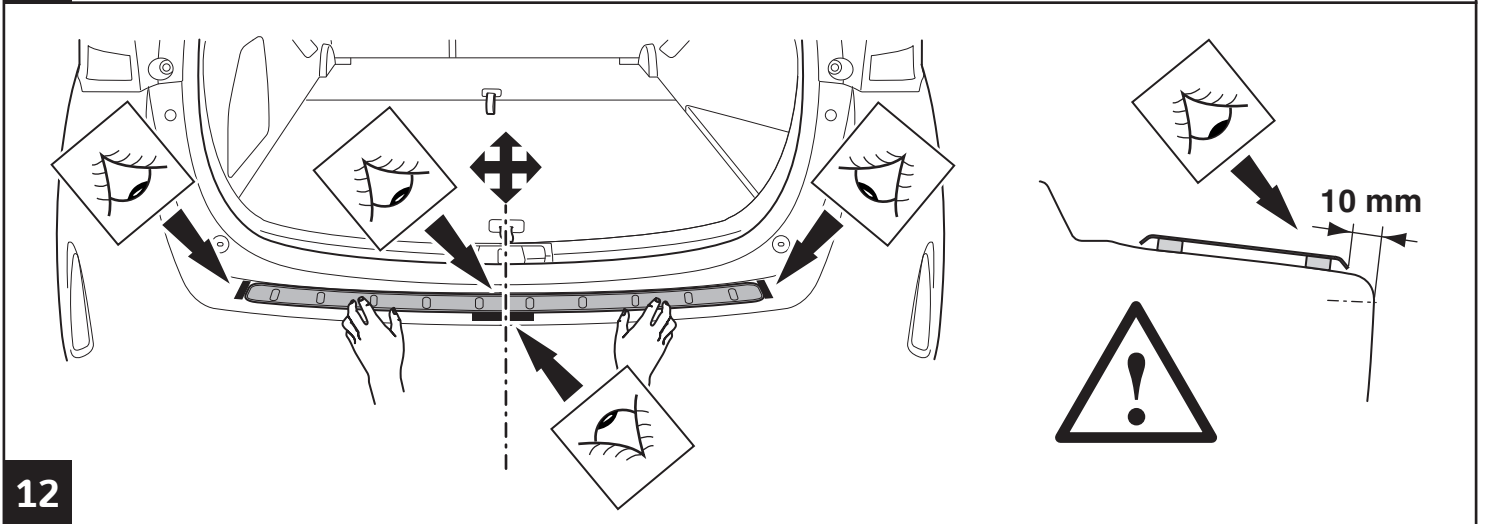
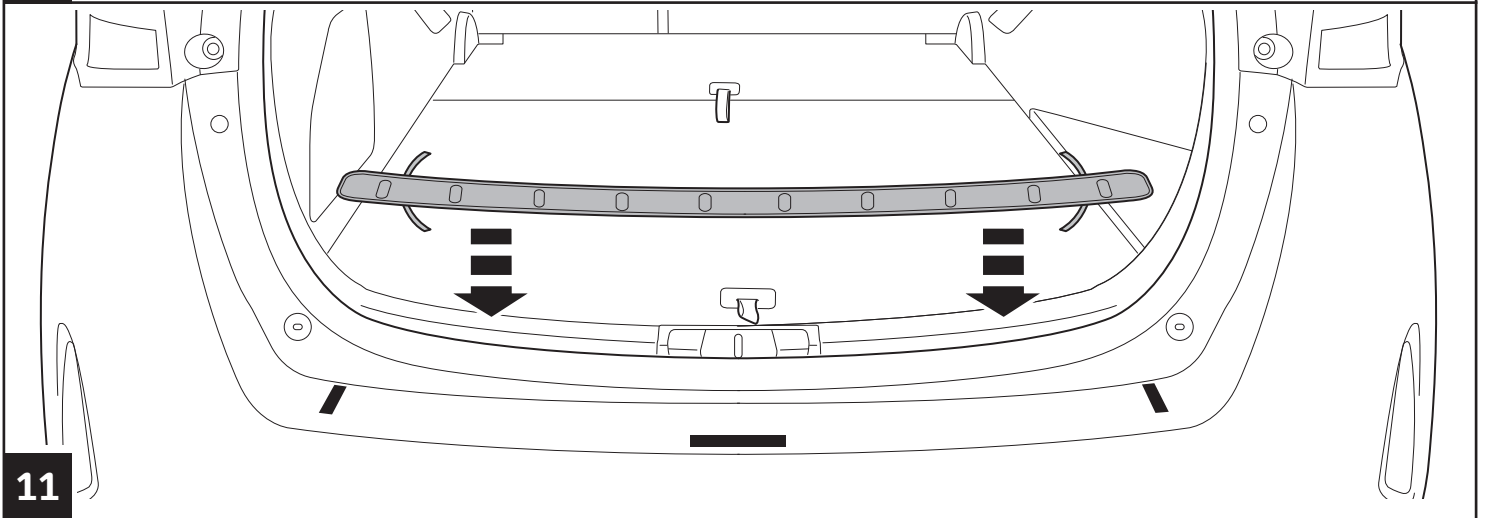
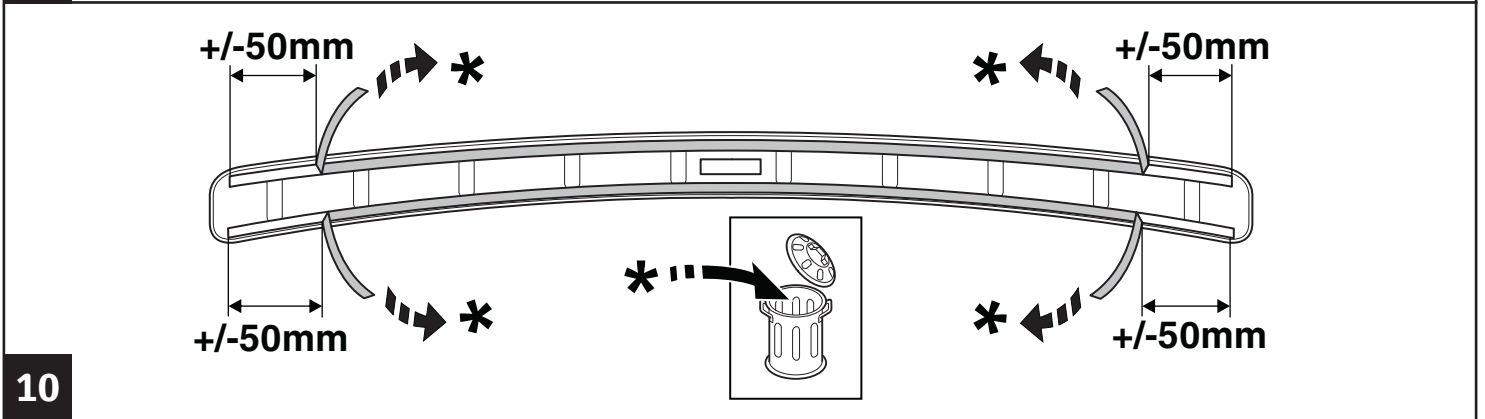
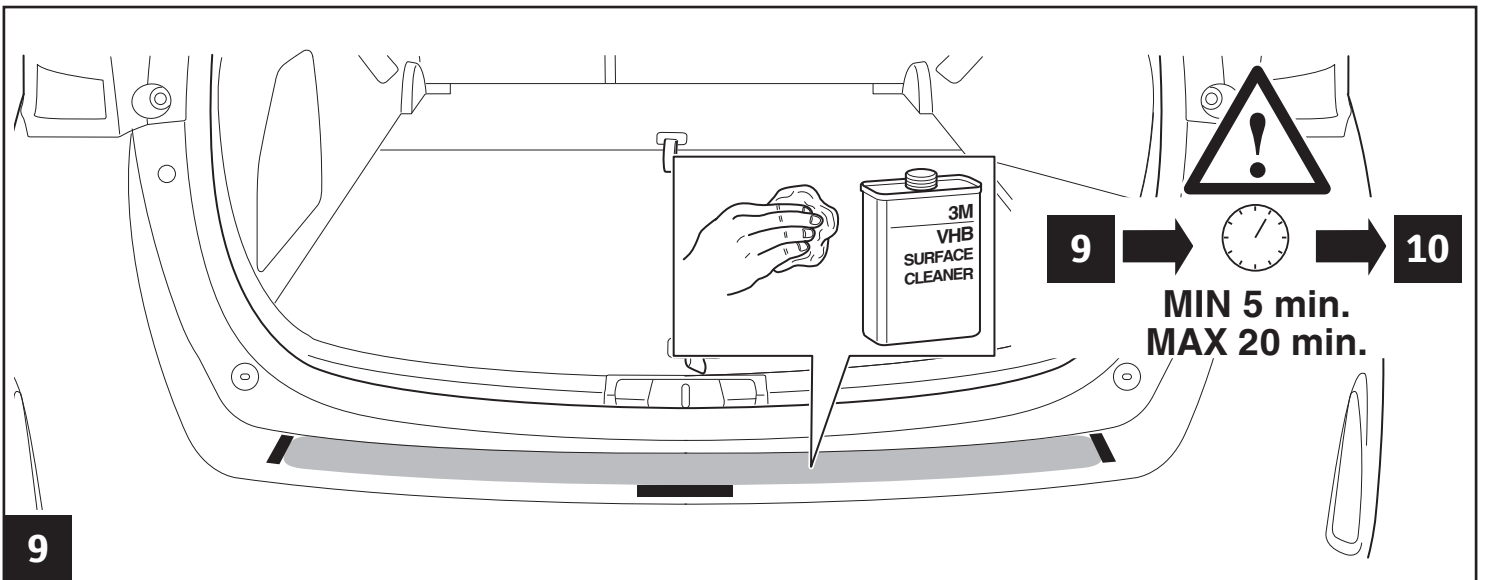
**B**

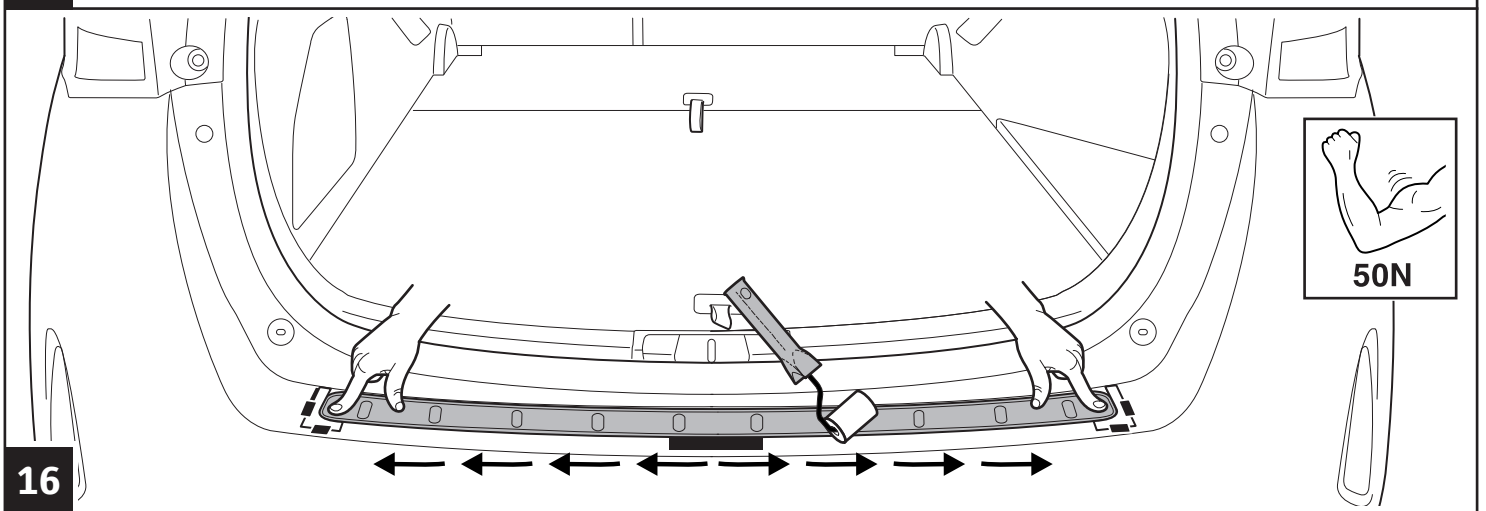
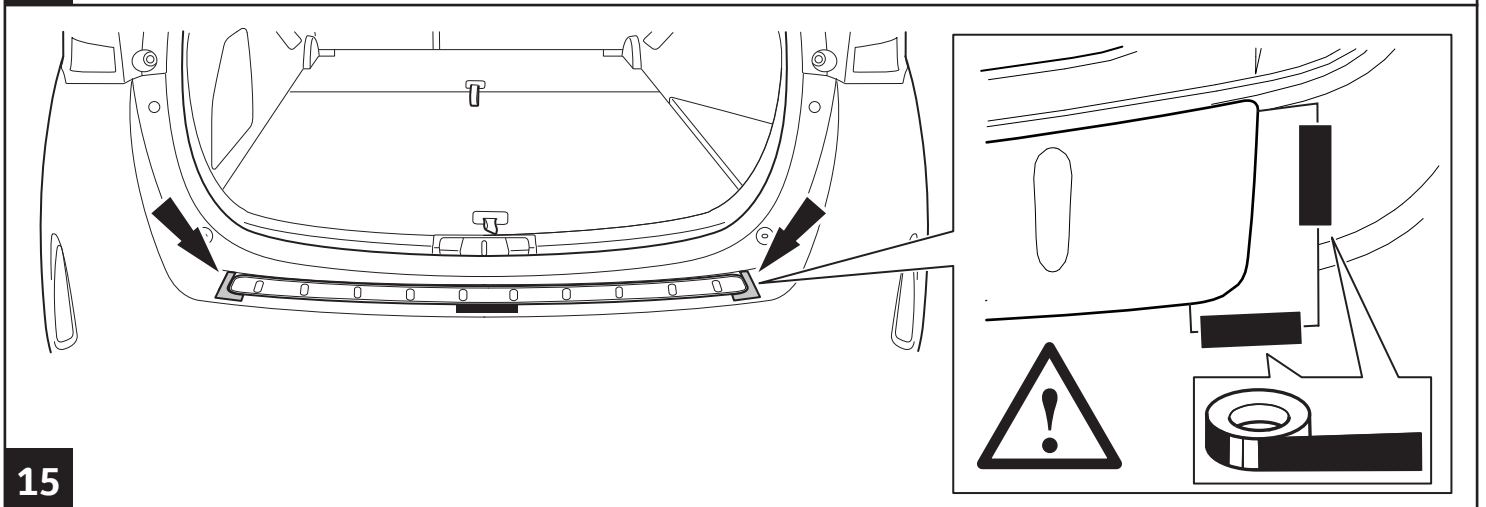
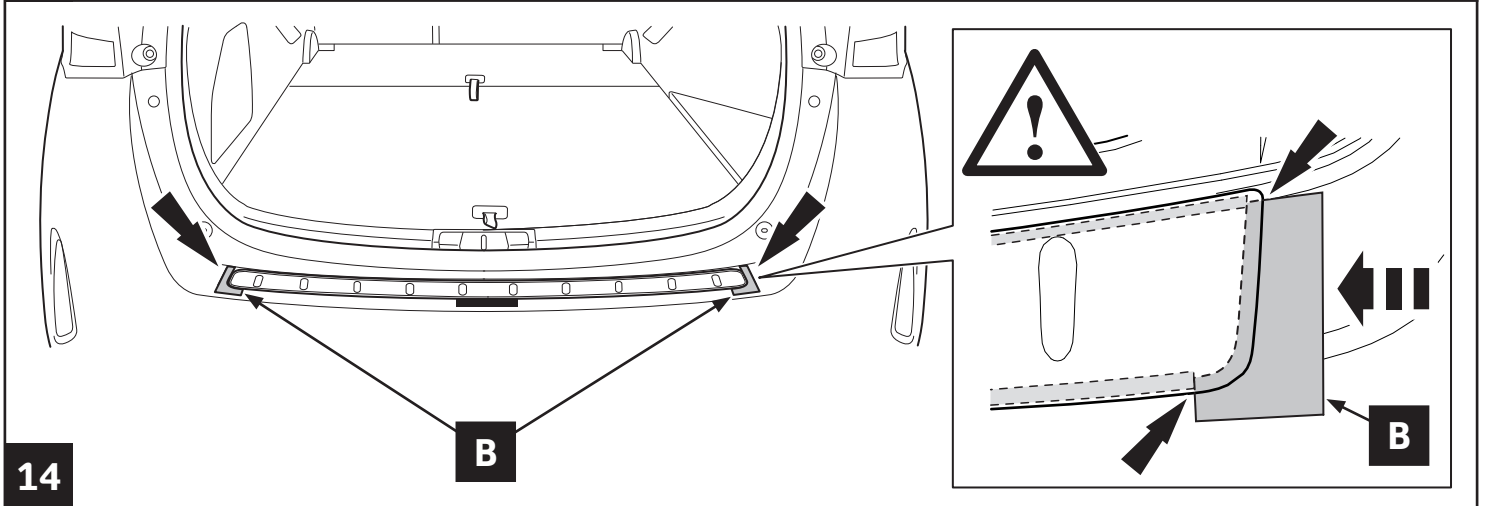
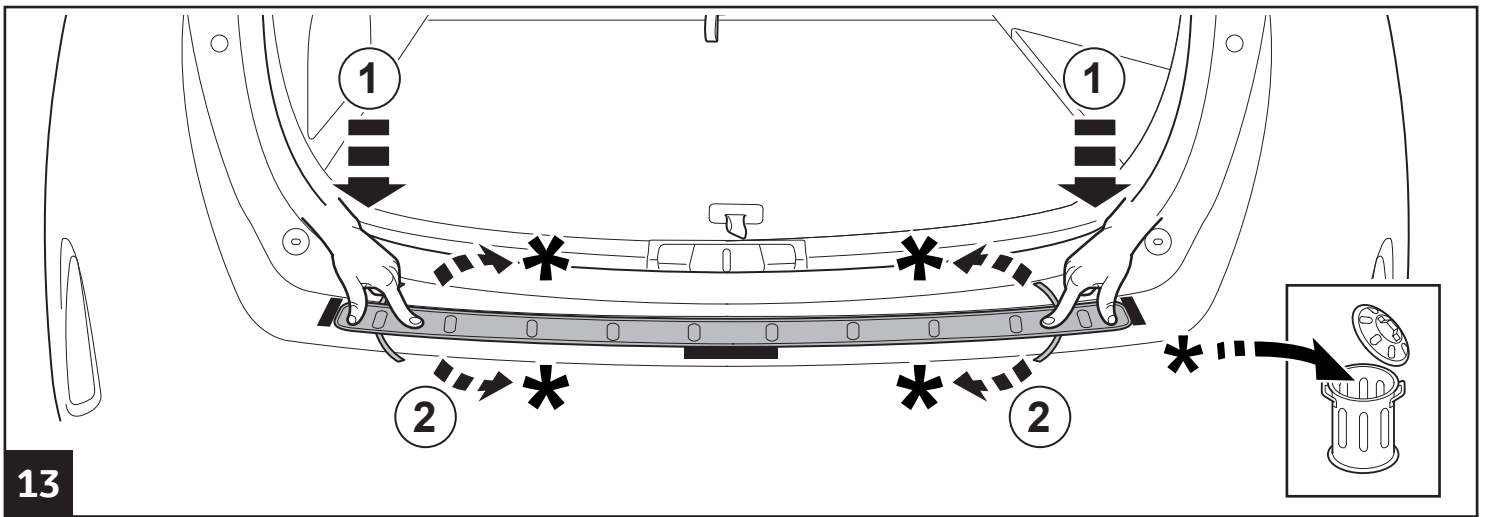
2x

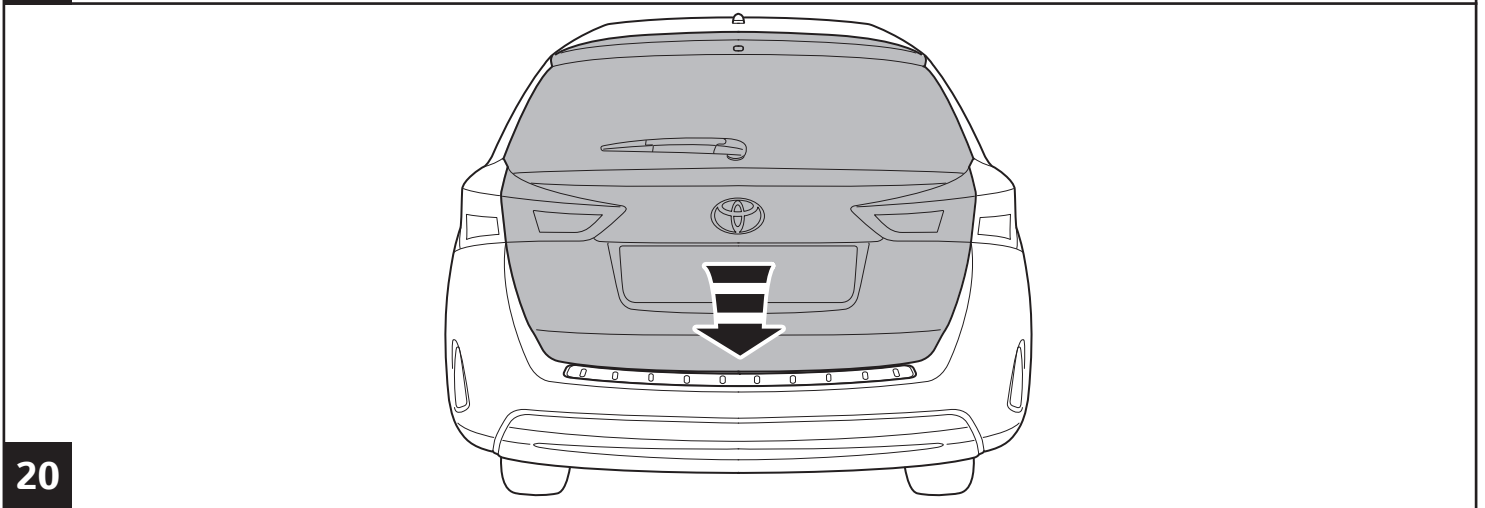
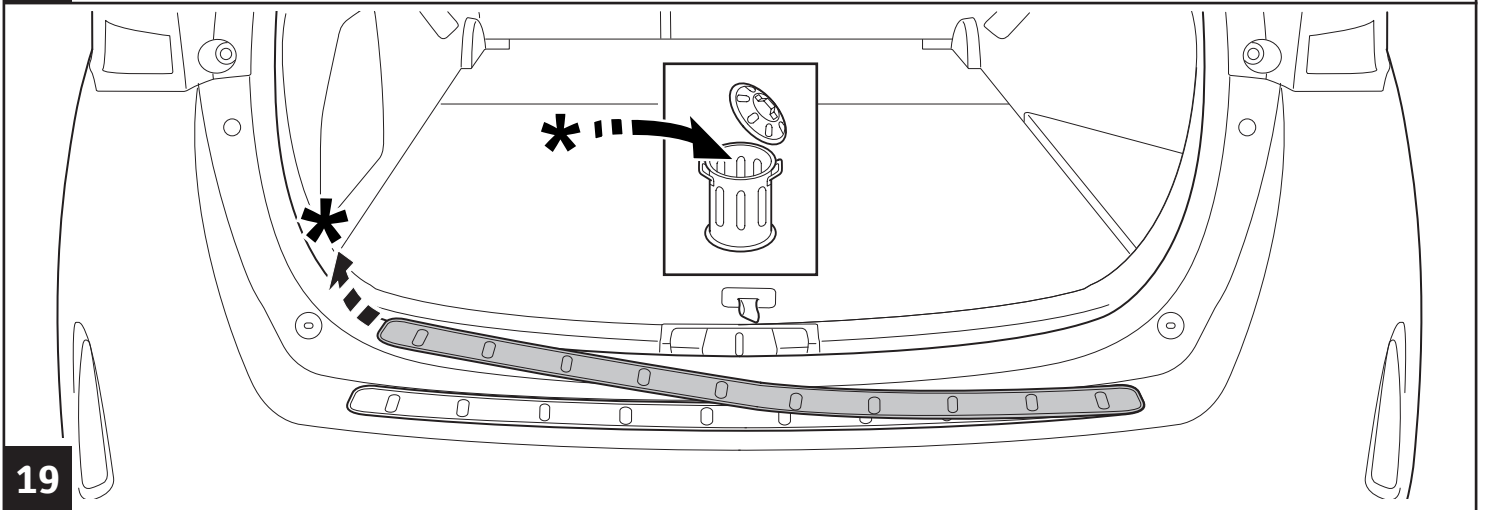
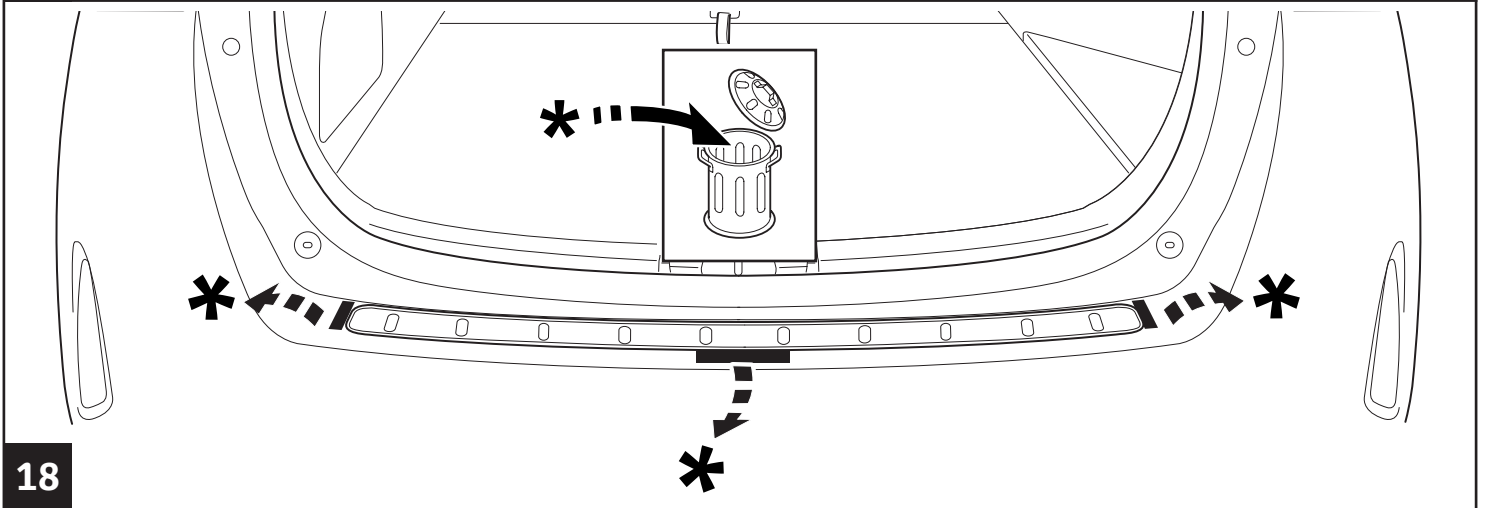
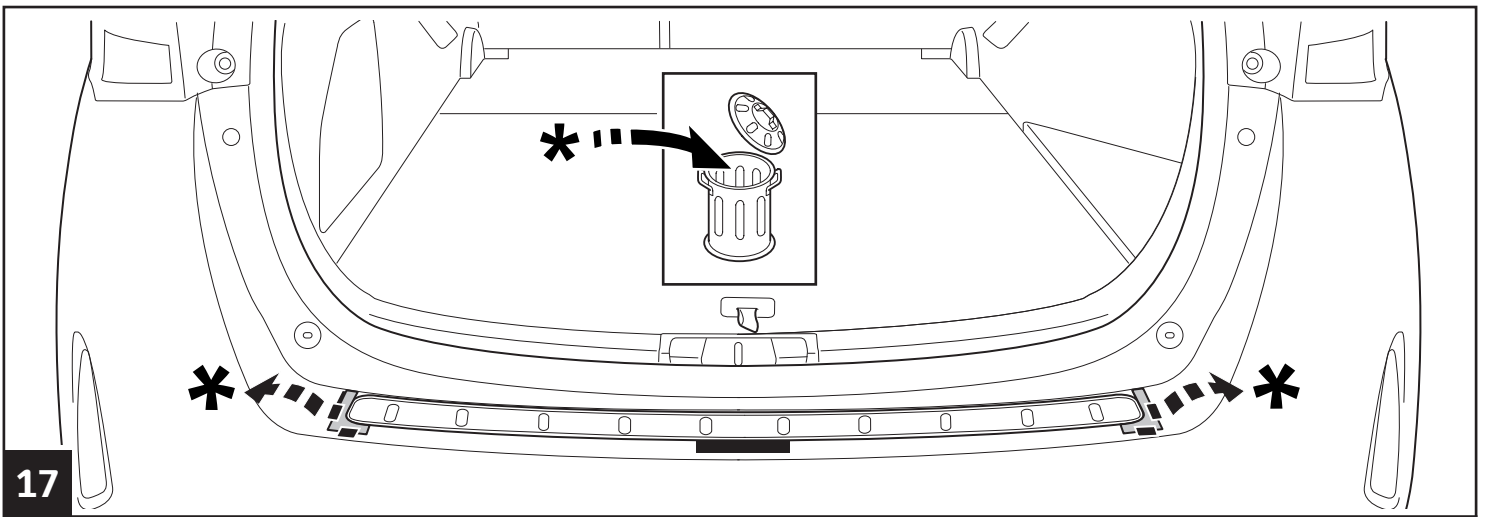


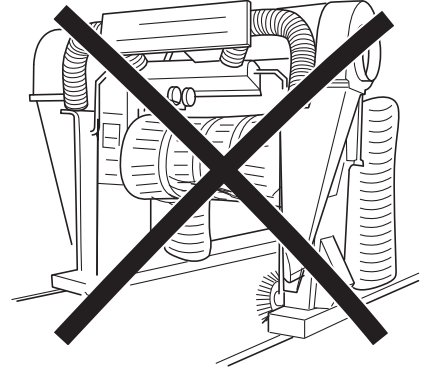
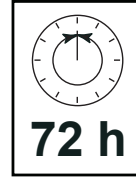
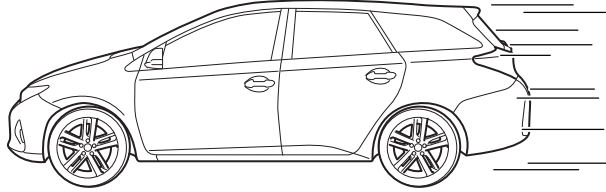
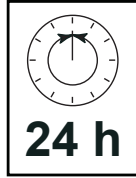
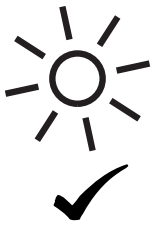














# CHECK SHEET



**TOYOTA**


Model / Year

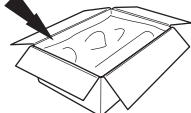
**Auris Touring Sports  
2013/06**

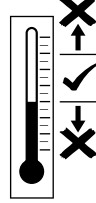
**Rear Bumper  
Protection Plate**

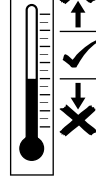
VIN n°

ALWAYS A  
BETTER WAY

 **P/N = OK**

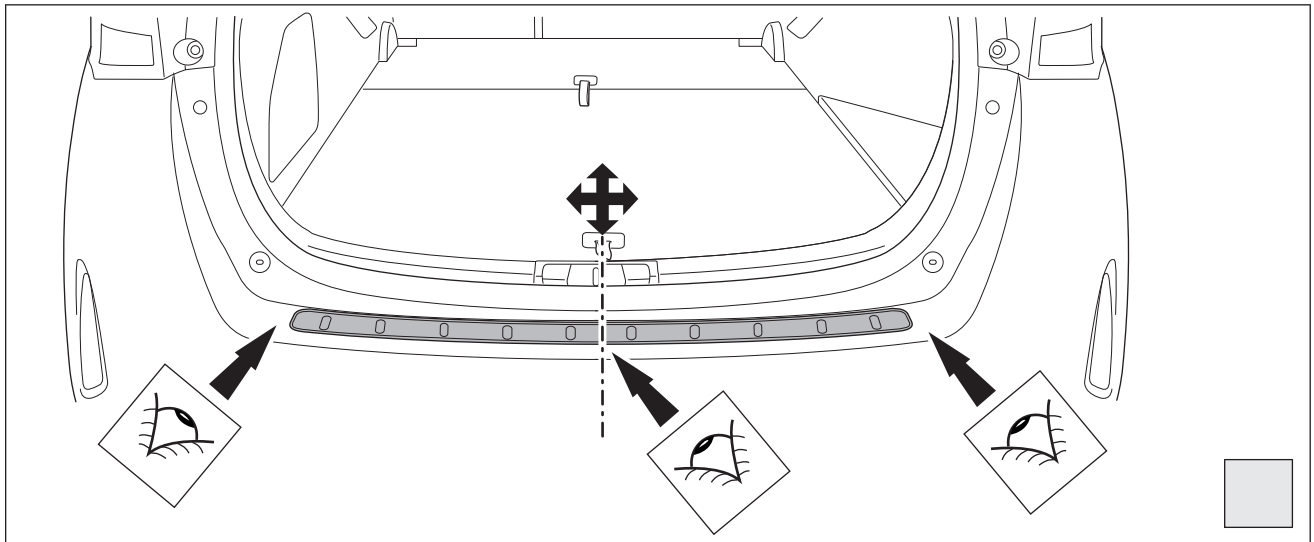


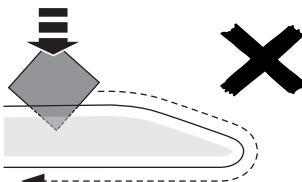
40°C 

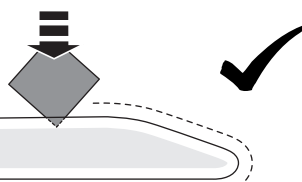
18°C 

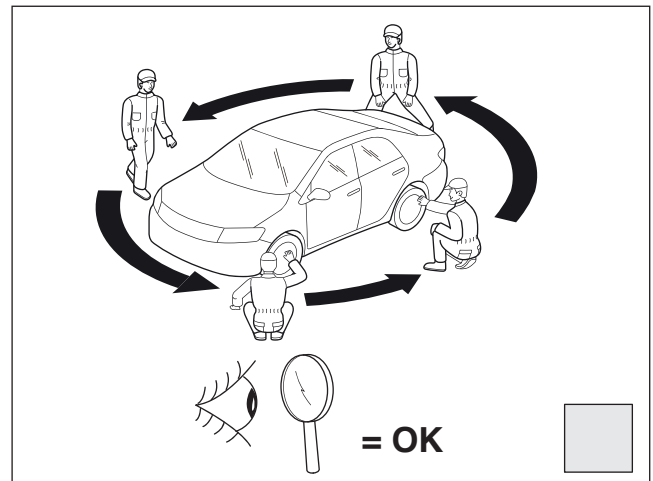
 

 **CLEANER**









**= OK**

**Installation Date:**

. . / . . / . . . .

**Technician Name & Signature:**

**Stamp:**