



Prius

Front Fog Lamp Chrome Ornament

Installation instructions

Model year: 2012/12, Prius Plug-in 2012/05

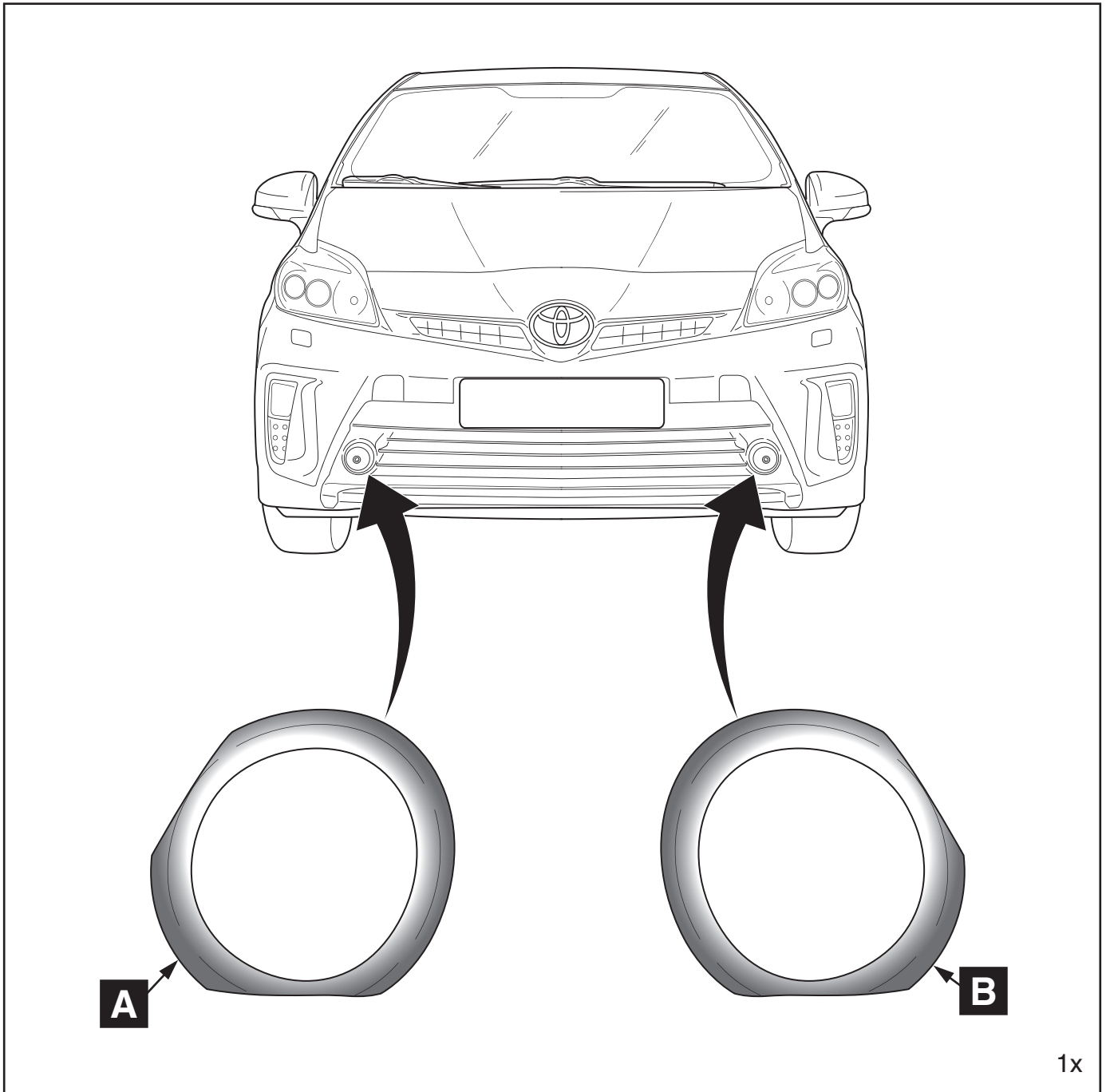
Vehicle code: ZVW30*-AHXEBW

Part number: PZ49U-G0490-ZB

Manual reference number: AIM 002 425-2

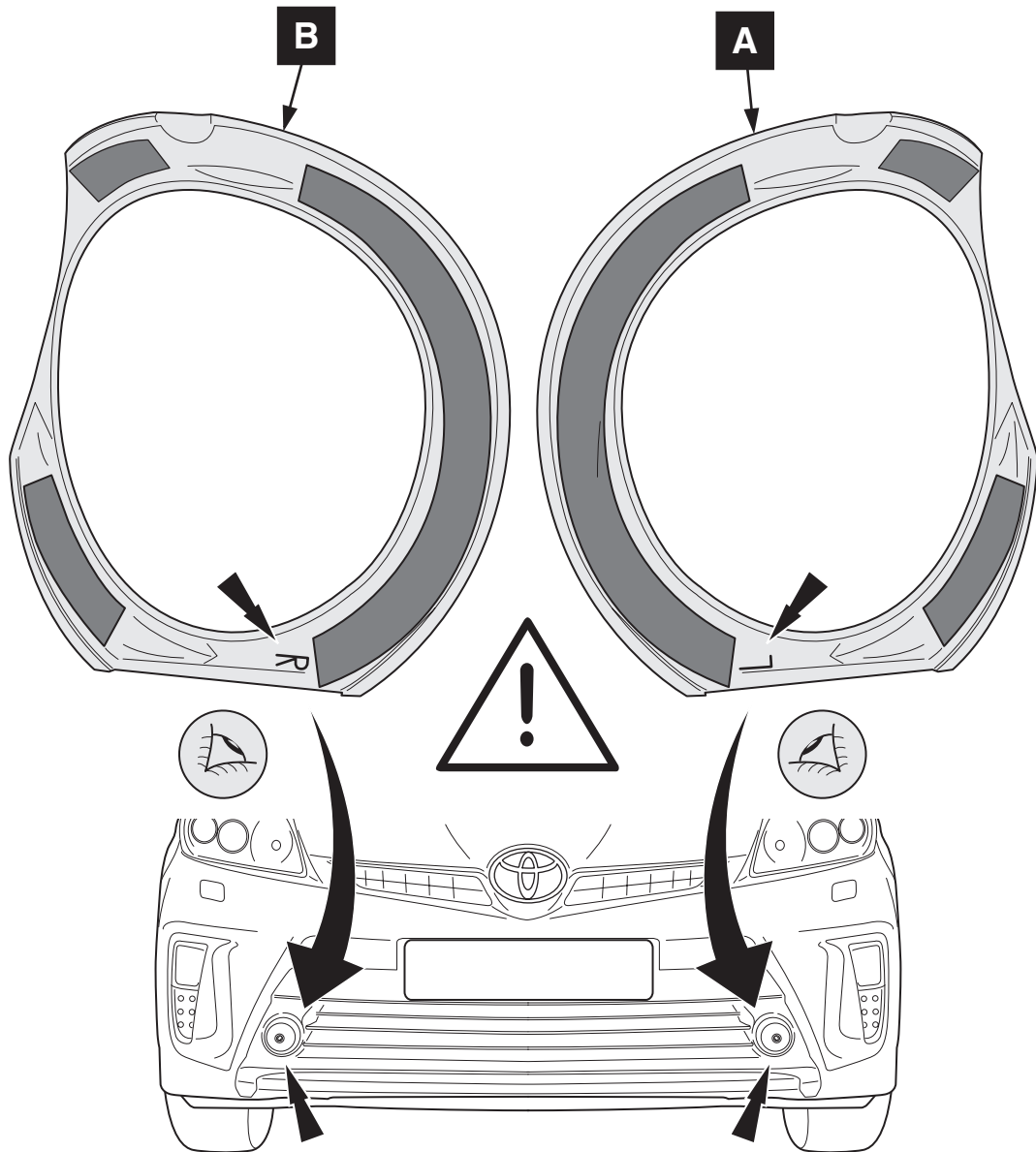
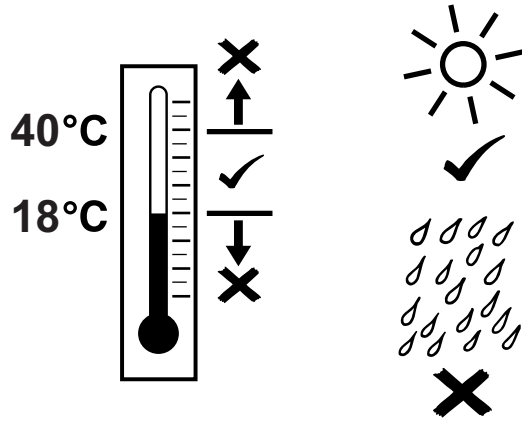
Revision Record

Rev. No.	Date	Page	Picture	Update	New	Deleted
1	02-06-2012	1 / 3 / 5	Tools / 3	X		
2	10-09-2012	1 / 3 / 4 / 6	Tools / 1,3,8	X		

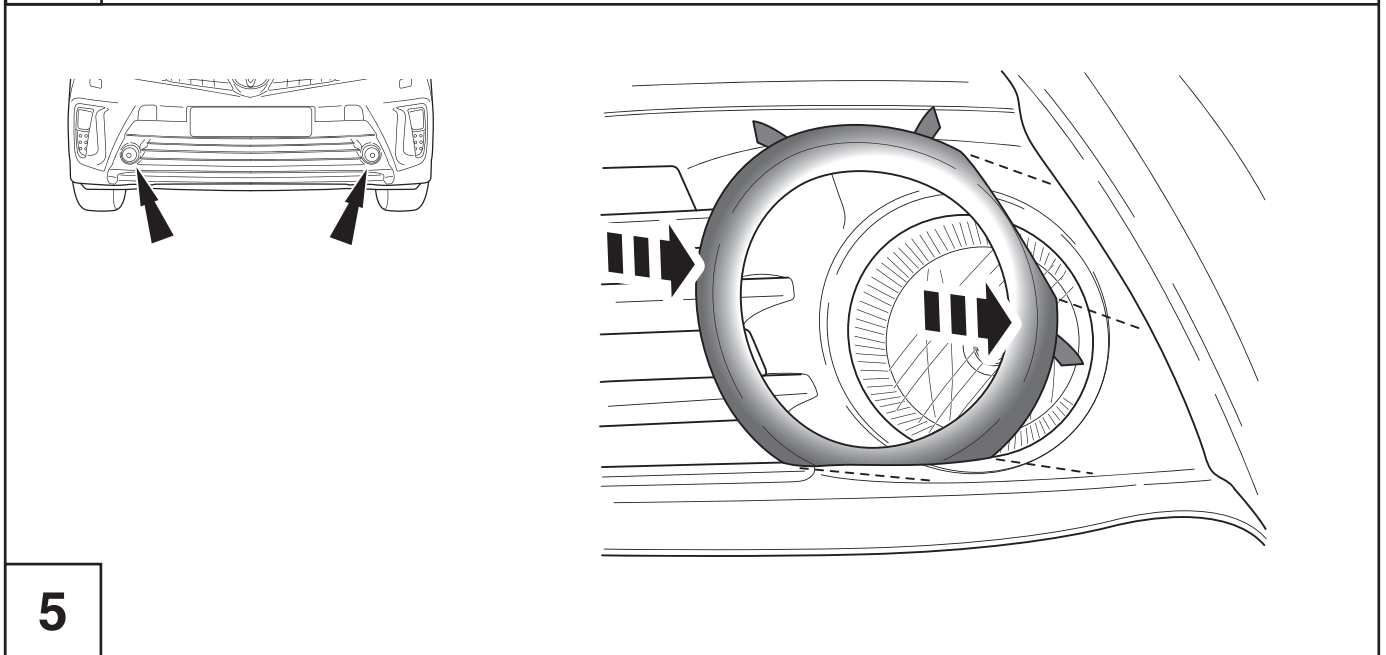
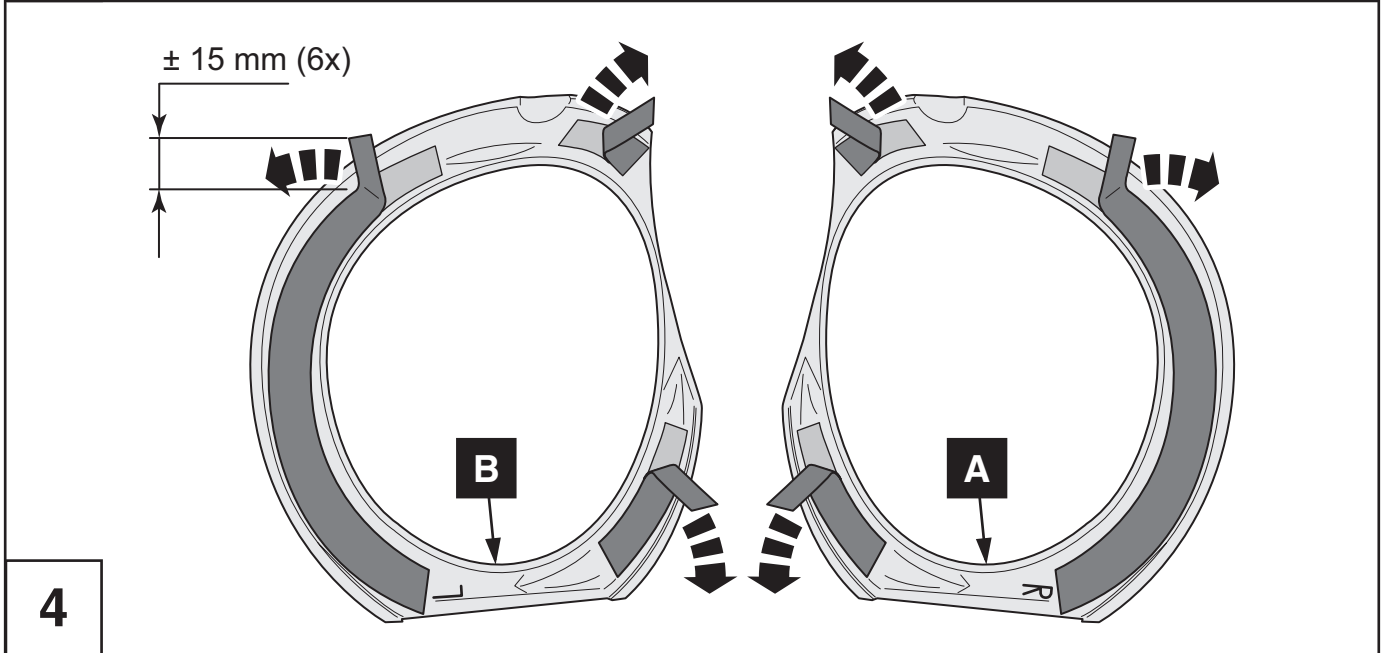
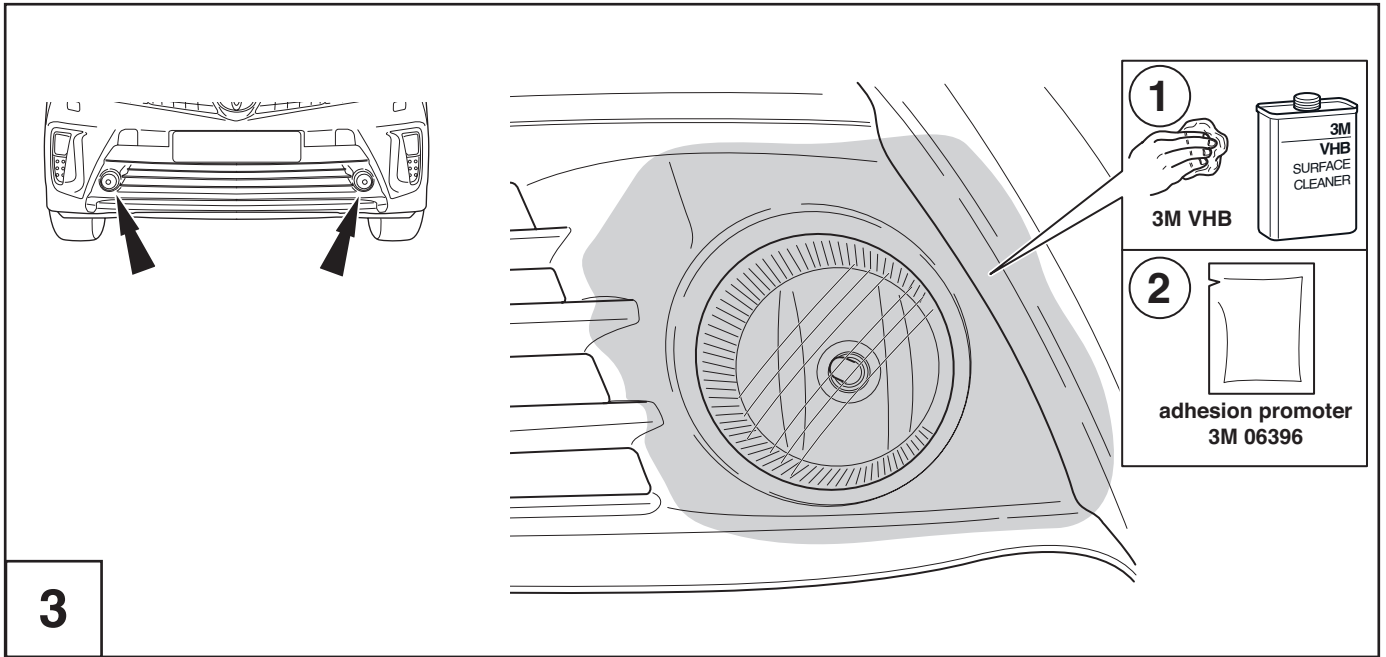


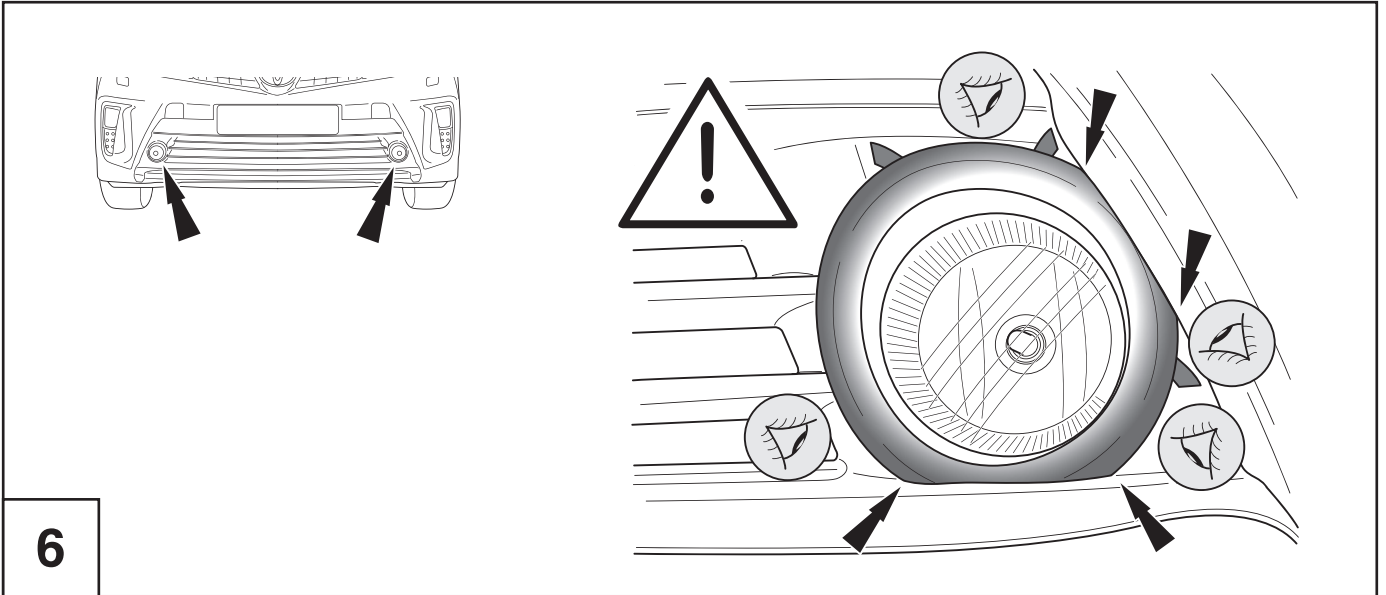
	<p>PZ415-00000-00</p> <p>adhesion promoter 3M 06396</p>	<p>3M VHB</p> <p>3M VHB SURFACE CLEANER</p>
	<p>Spiess Hecker Sontora 3M 2010</p>	

1

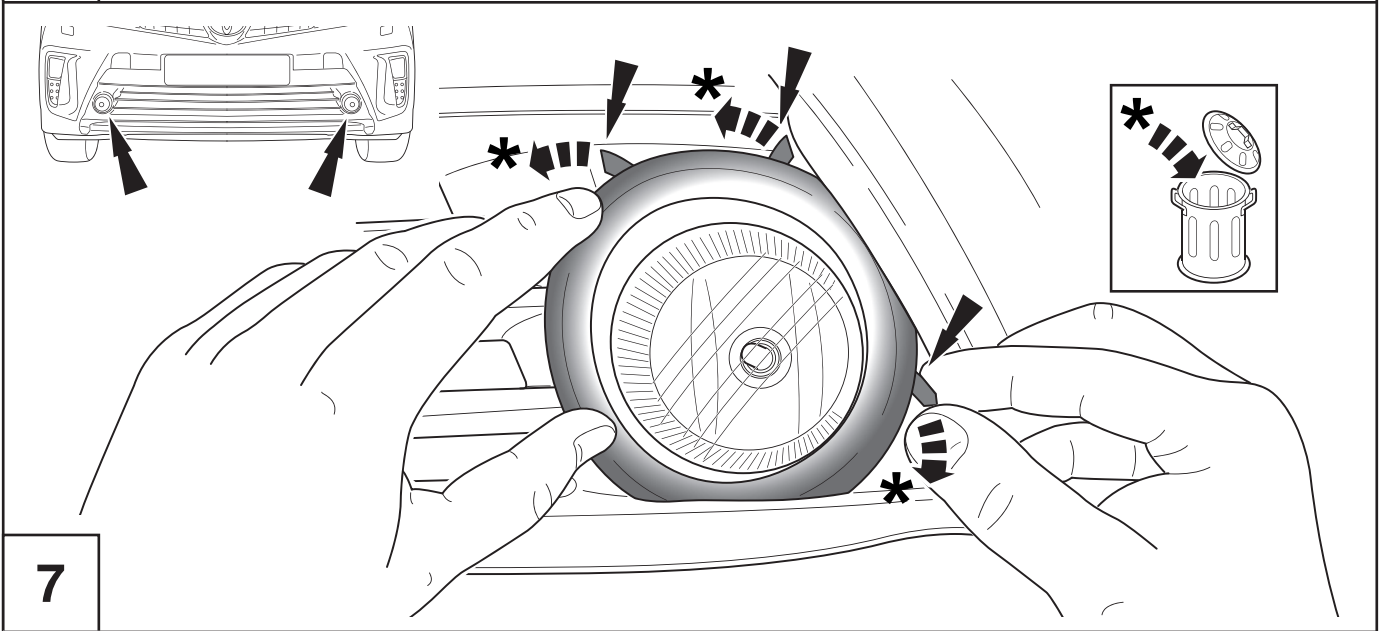


2

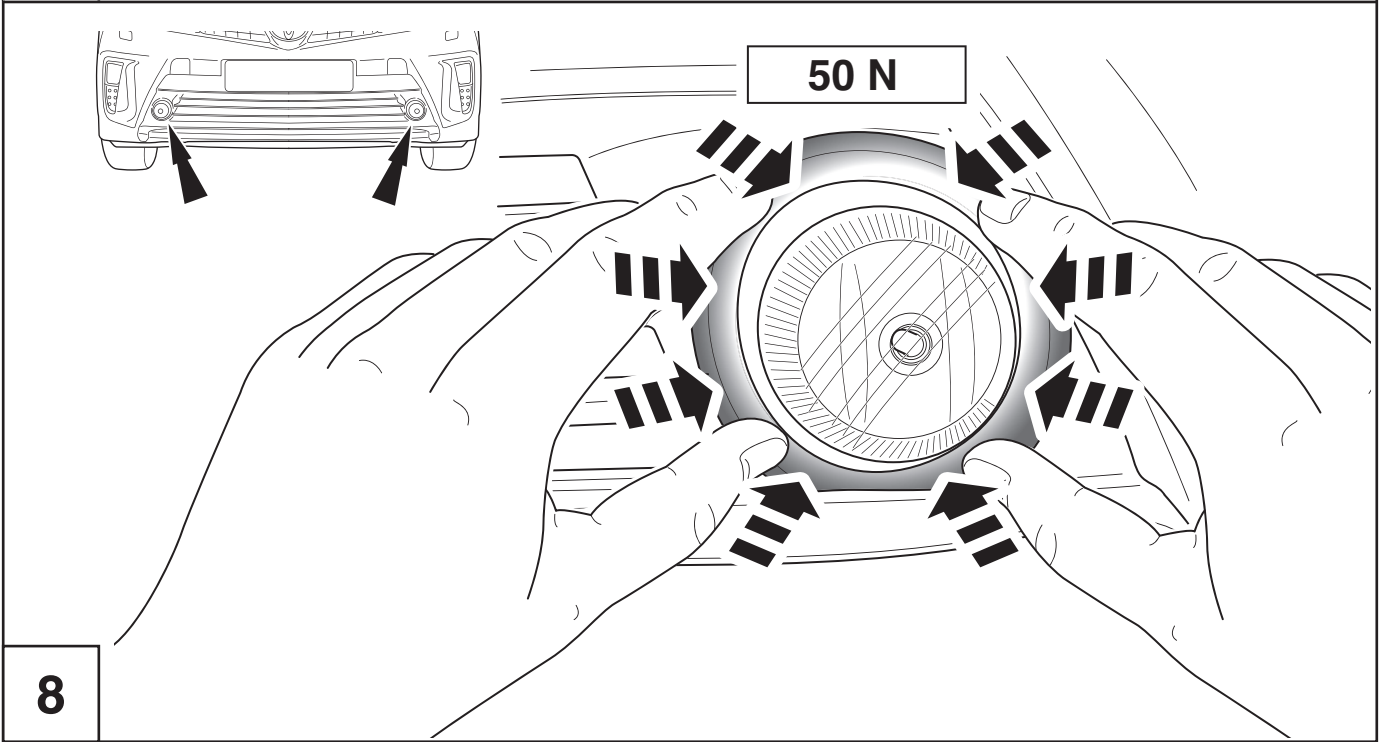




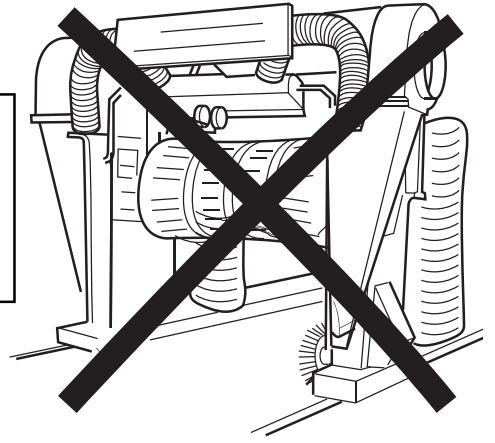
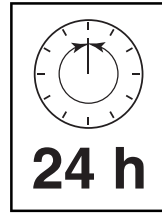
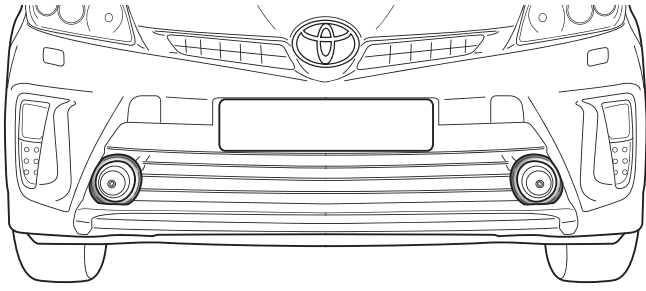
6



7



8



9