



TOYOTA

Land Cruiser


Front Fog Lamp Chrome Ornament
Installation instructions



Model year: 08/2009

Vehicle code: **J15*L-G****W

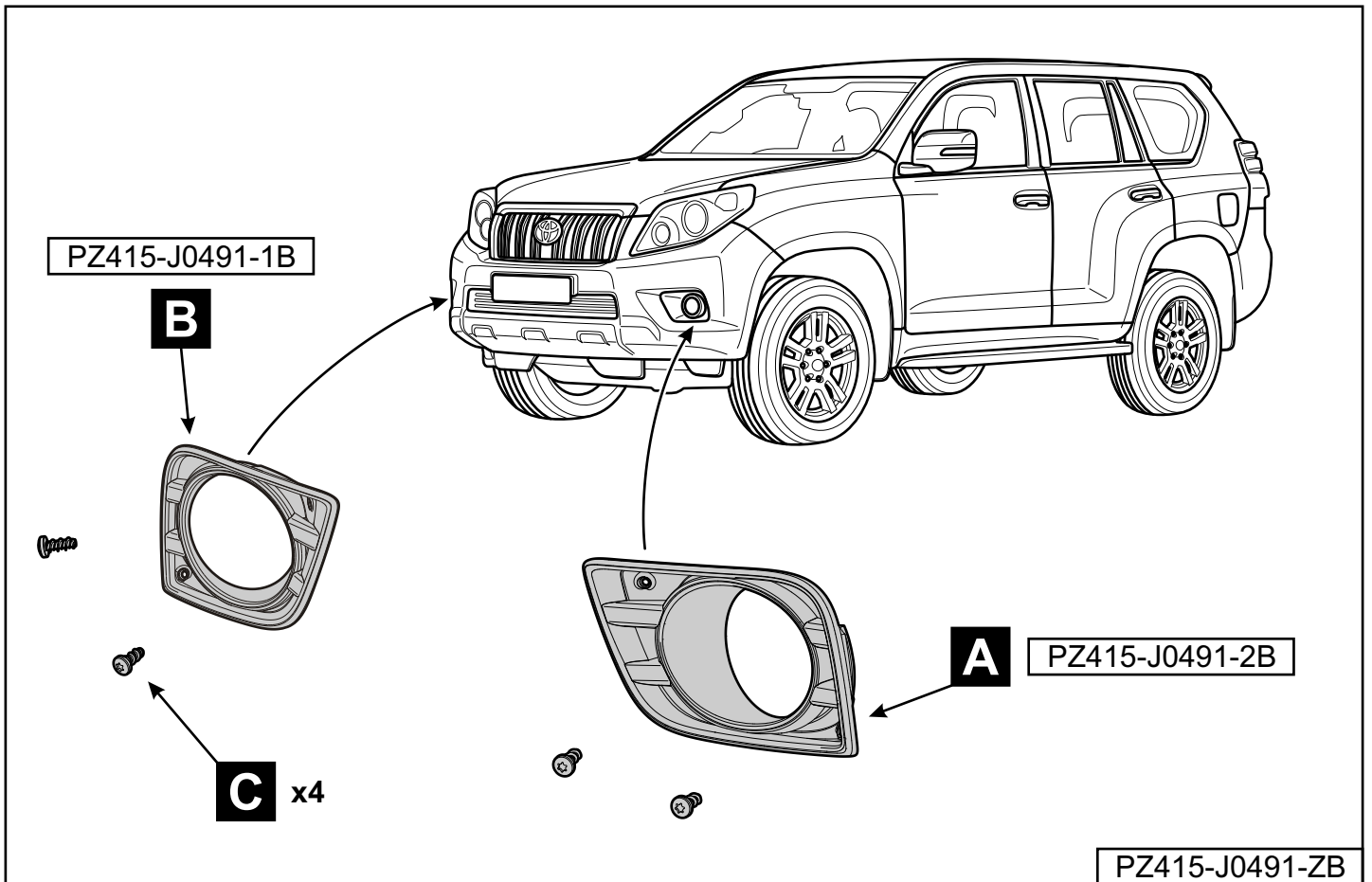
Part number: PZ415-J0491-ZB

 Weight: 0.23 kg

Manual reference number: AIM 001 799-0

Revision Record

| Rev. No | Date | Page | Picture | Update | New | Deleted Steps |
|---------|------|------|---------|--------|-----|---------------|
| | | | | | | |
| | | | | | | |
| | | | | | | |
| | | | | | | |
| | | | | | | |
| | | | | | | |
| | | | | | | |
| | | | | | | |
| | | | | | | |
| | | | | | | |



| | | | |
|--|-----------------------------|---|--|
| | <p>Spieß Hecker Sontora</p> | <p>Degreaser</p> <p>Sikkens M600 Spieß Hecker 7799 Panel Degreaser PZ469-CL001-50</p> | |
|--|-----------------------------|---|--|

| | | |
|--|---------------|--|
| | <p>ø 2 mm</p> | |
|--|---------------|--|

