



TOYOTA

ALWAYS A
BETTER WAY

Rav4

Front Fog Lamp Chrome Ornament

Installation Instructions

Model year: 2012/12

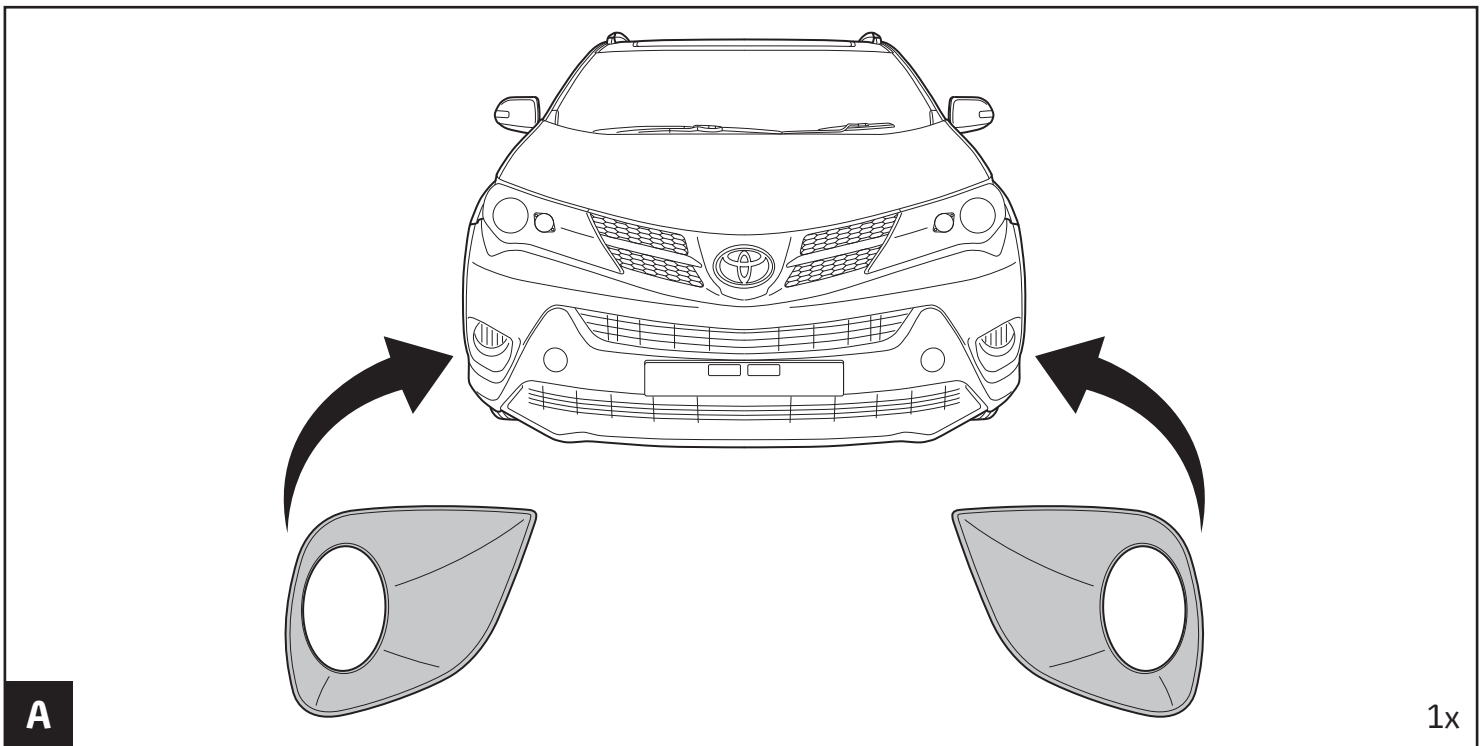
Vehicle code: **A4**-AN***W, *SA4**-AN**K

Part number: PZD38-0R004

Manual reference number: AIM 002 783-1

Revision record

Rev. No.	Date	Page	Picture	Update	New	Deleted steps
1	10/07/2013	1		Veh.Code		



	<p>PZ415-00000-00</p> <p>adhesion promoter 3M 06396</p>	
	<p>Spiess Hecker Sontora 3M 2010</p>	

1

40°C
18°C

X ↑
 ✓
 X ↓

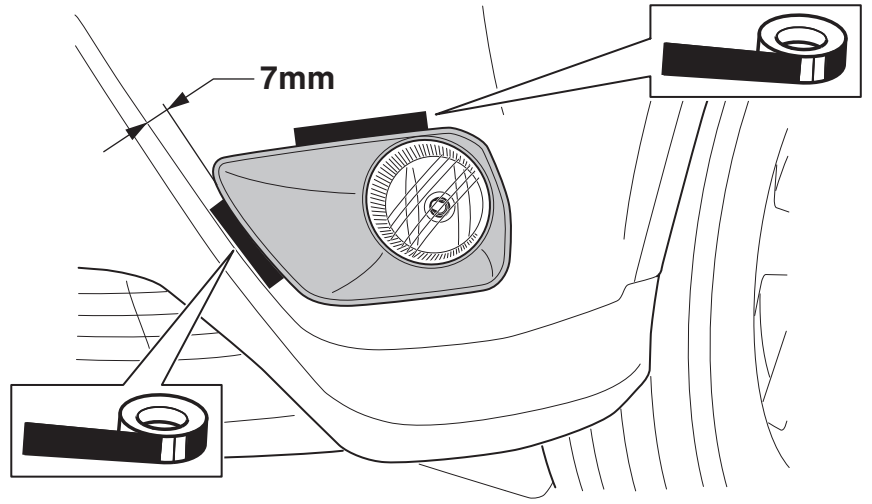
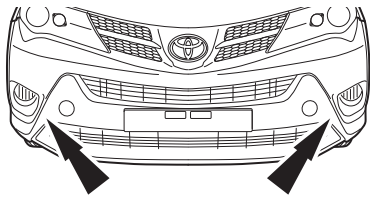
☀️ ✓
 ☔ X

2

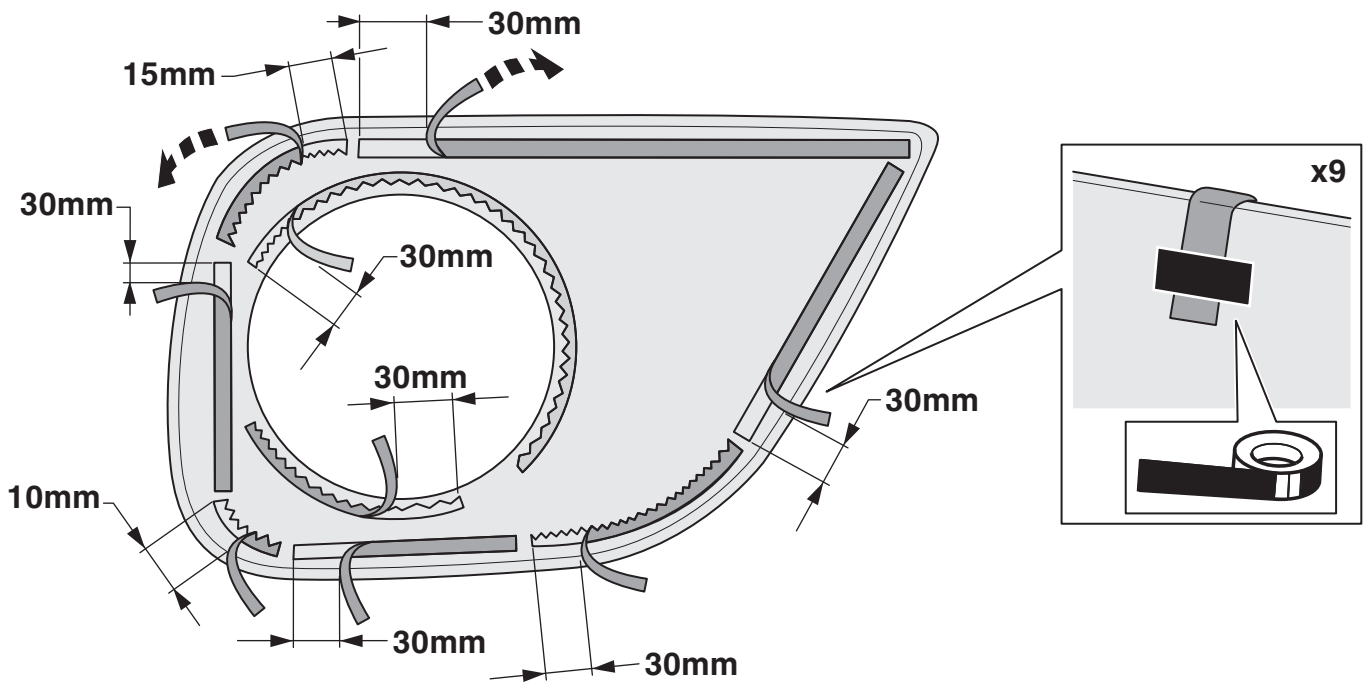
3

1 3M VHB SURFACE CLEANER
2 adhesion promoter 3M 06396
3 > 1.5 min. < 1 h.

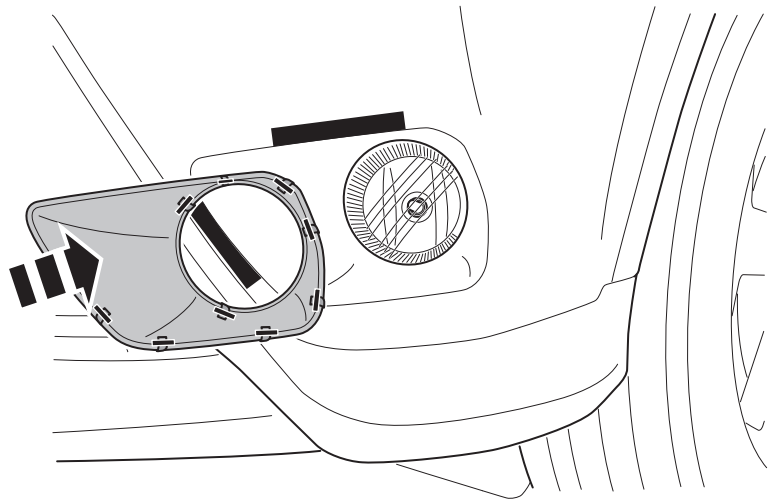
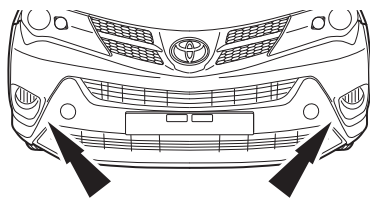
4



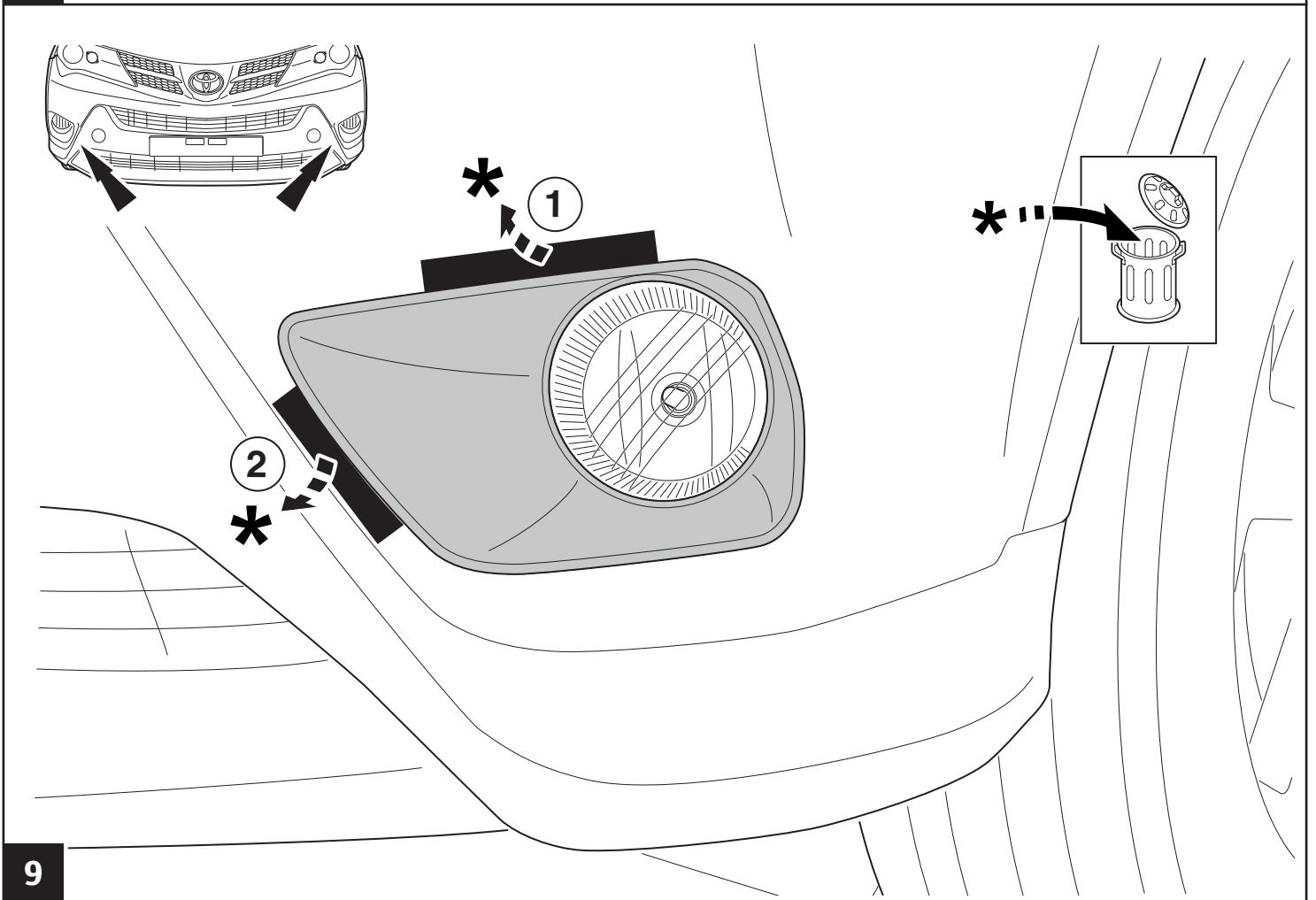
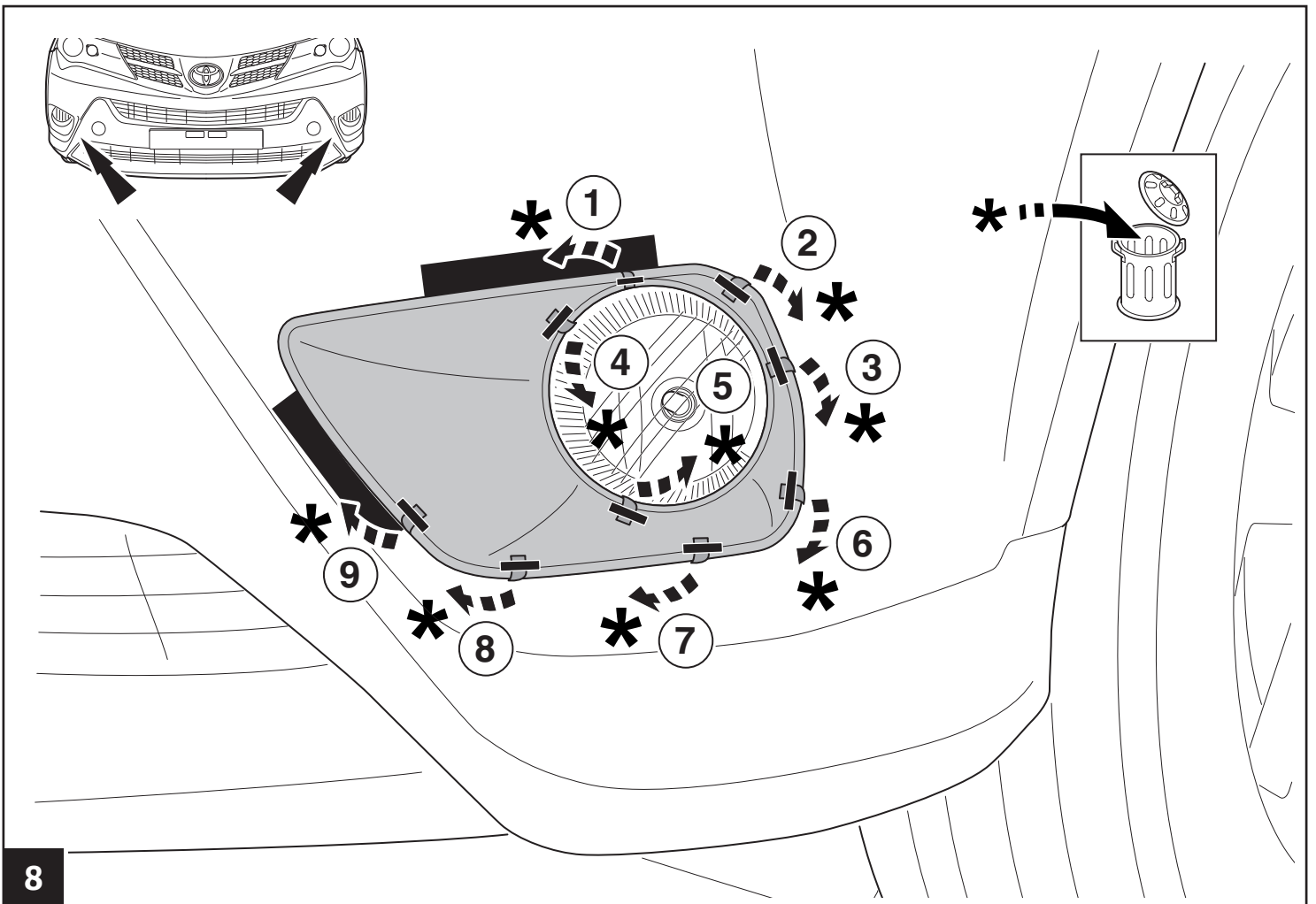
5

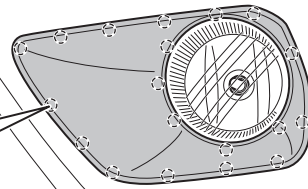
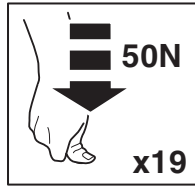
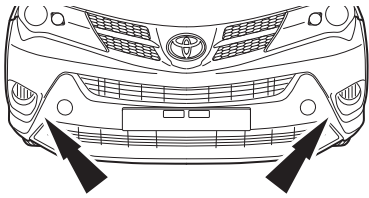


6

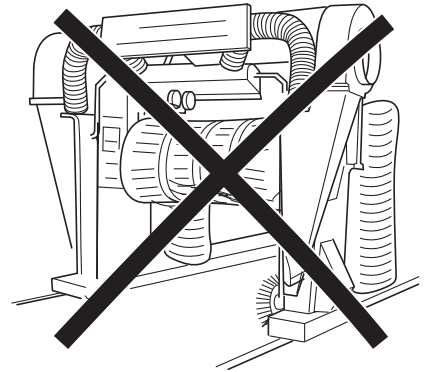
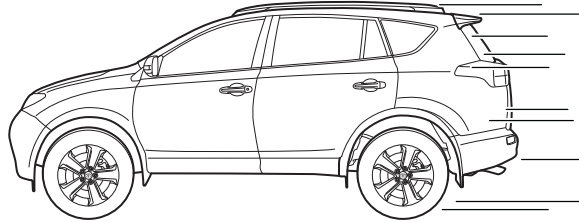
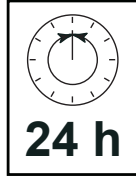
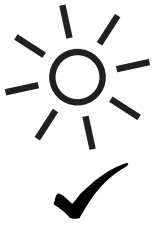


7





10



11

CHECK SHEET




TOYOTA

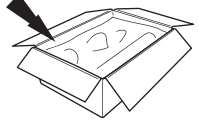
Model / Year **RAV4 2012/12**

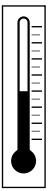


**Front Fog Lamp
Chrome Ornament**




VIN n°

ALWAYS A
BETTER WAY

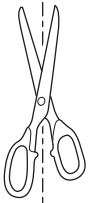
 **P/N = OK**

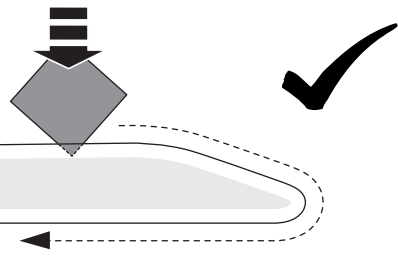
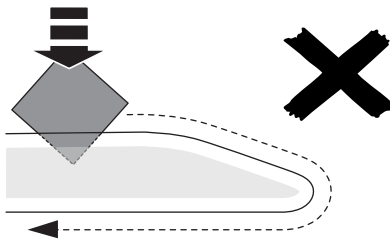




40°C  
18°C 

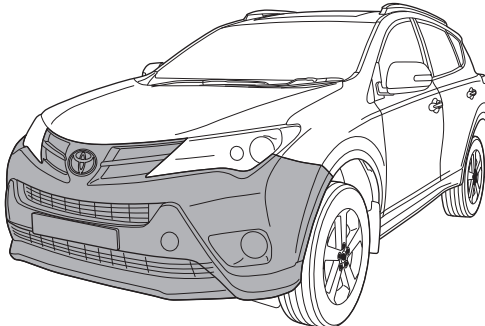
 
 **CLEANER**

 
**adhesion promoter
3M 06396**



  **= OK**



Installation Date:

.. / .. / ..

Technician Name & Signature:

Stamp: