




# Urban Cruiser

## Scuff Plates

Installation instructions

Model year: 2009  
Vehicle code: N\*P11\*\*-AH\*\*\*W  
Part number: PZ467-B4180-00

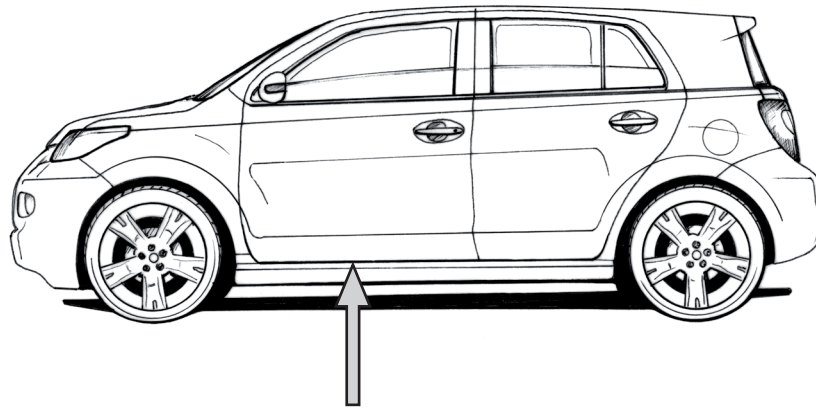
 Weight: 0,12 kg

Manual reference number: AIM 001 450-1

# Revision Records

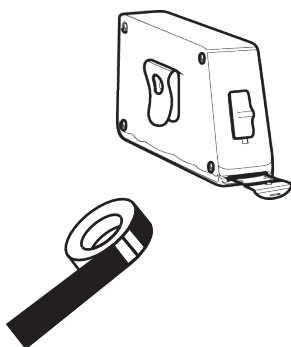
Rev. No.	Date	Page	Picture	Update	New	Deleted Steps
1	03/09	4	1, 3, 4	X		
			7, 8	X		

R=L



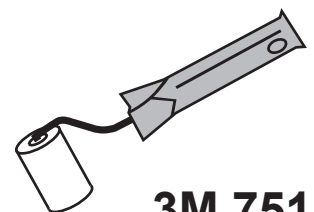
**URBAN CRUISER**

PZ467-B4180-00



**CLEANER**

Sikkens M600  
Spiess Hecker 7799  
Hydro cleaner PZ469-A0002-50



**3M 751**

